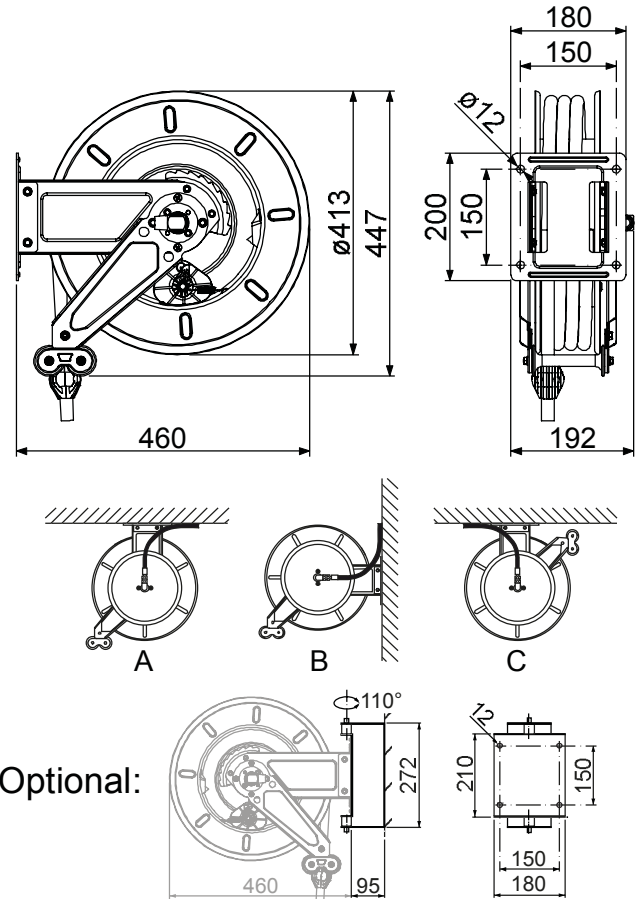


Item-No. 542275



Technical Data

type	open
application	for wall mounting
hose length	15m
hose-ø	DN13

connection	1/2", rotatable 360°
hose type	food-safe
material	SS 18/10
version	without spray gun

Product Information

- hose reel, open design, for wall or ceiling mounting, auto-rewinding, reel can be locked at desired hose length
- made of AISI 304 stainless steel, great corrosion resistance
- food-safe hose, FDA approved, length 15m, DN13, connections 1/2", T.max 95°C, operating pressure 10bar, burst pressure 30bar, weight 0,32kg/m, maximum bending radius 80mm
- hose guide arm can be fixed in 3 different positions, thus highly flexible installation
- spray gun connection 1/2", rotatable 360°
- lateral protective covers
- no spray gun included
- matching (optional) wall bracket: 542072, swivel angle 110°