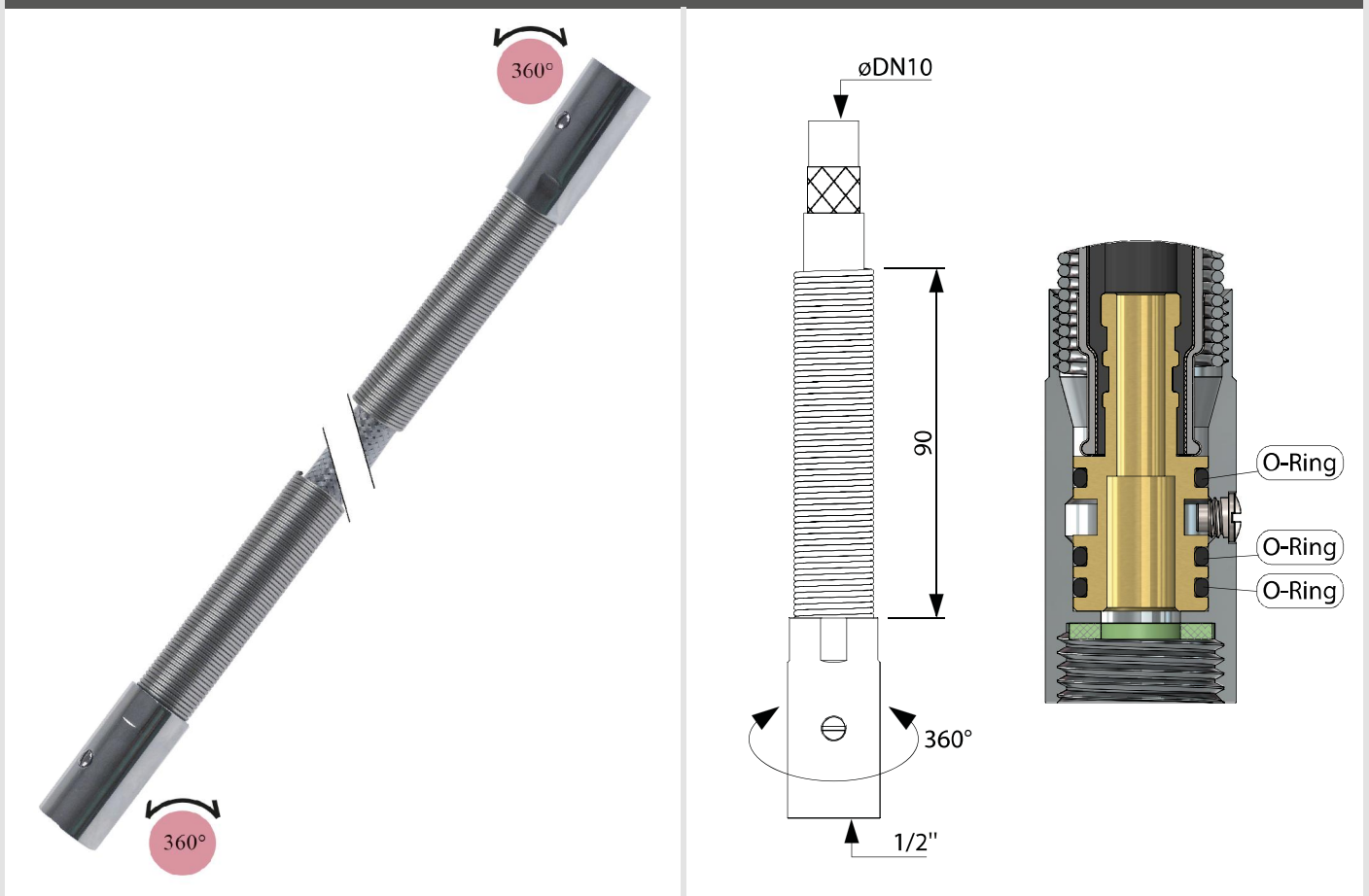


Item-No. 542015



Technical Data

connection	1/2" IT
diameter	DN10
length	1000mm
T. max	90°C

approval	KTW
version	beidseitig drehbar
hose material	PVC

Product Information

- hose connections 1/2" inside thread, chromated brass, rotatable 360°, with 3-part O-ring seal
- temperature resistant up to +90°C
- 3-layered hose:
 - inner hose made of black PVC, diameter DN10
 - stainless steel braiding
 - outer layer of transparent PVC
- KTW-approved
- bend protection 90mm on both ends