



GAS COMPONENTS



ELECTRIC COMPONENTS



WATER TECHNOLOGY



MECHANICAL COMPONENTS



TOOLS

Spare parts suitable for

YINDU

Find the complete and up-to-date range of products in our GEV Webshop



Manufacturer catalogue

The most important spare parts and accessories arranged clearly for every manufacturer

- ✓ Complete product range and all appliance data always up to date in the GEV Webshop
- ✓ Alphabetical Index at the end of the catalogue

GEV Webshop

www.gev-online.co.uk

www.gev-online.com



- 🔍 Add to Favourites
- 🔍 Sign In with email address and usual password
- 🔍 Easy-order – place several items in your basket at the same time
- 🔍 Quick Item search – no login needed



heating elements

heating cables

miscellaneous



GEV No.	417745	Ref. No.	W0310067
description	heating cable 600V L 1100mm silicone connection plug GFR2700		

foil heating elements



GEV No.	419256	Ref. No.	W0310080
description	foil heating element L 520mm W 220mm 61W 220V cable length 400mm connection plug GFR2700		

switches and momentary switches

rocker/momentary rocker switches

30x22mm



GEV No.	347791	Ref. No.	W0308019
description	rocker switch mounting measurements 30x22mm green 2NO 230V 20A illuminated 0-I connection male faston 6.3mm ambient temperature max. 125/55°C protection IP65 with rubber collar		

microswitches

with push button

switches with snap-fit



GEV No.	348227	Ref. No.	W0308012
description	microswitch 250V 0.5A connection male faston 2.8mm for fridge GFR2700/GRE2700		

lamps

LED

LED bars



GEV No.	357260	Ref. No.	W0304086 W0304511	
description	LED bar L 130mm W 14mm H 8mm cable length 300mm GFR2700/GRE2700			
accessories for	357260			
	GEV No.	692879	Ref. No.	W0409863
	cover for lamp L 185mm W 55mm H 40mm for GFR2700/GRE2700			

lamp accessories

fascias



GEV No.	692879	Ref. No.	W0409863	
description	cover for lamp L 185mm W 55mm H 40mm for GFR2700/GRE2700			
accessories for	692879			
	GEV No.	357260	Ref. No.	W0304086 W0304511
	LED bar L 130mm W 14mm H 8mm cable length 300mm GFR2700/GRE2700			

transformers

power supplies



GEV No.	403903	Ref. No.	W0399114
description	power supply primary 100-240VAC secondary 24VDC H 30mm L 85mm W 45mm 50/60Hz type JKY36-SP2400600		



GEV No.	403902	Ref. No.	W0399115
description	power supply primary 100-240VAC secondary 24VDC H 34mm L 114mm W 45mm 50/60Hz type JKY36-SP2401500 GRE2700		



electronic controllers

DIXELL

refrigeration controllers

built-in version




1

GEV No.	378665	Ref. No.	W0302160
description	electronic controller DIXELL XR03CX-5R0C1 mounting measurements 71x29mm built-in depth 50mm 230V voltage AC NTC relay outputs 2 NO-20A(8) CO-8A(3) NTC DI protection IP65 defrosting function/time control -55 up to +99°C display 2 digit		



1

GEV No.	378363	Ref. No.	W0302159
description	electronic controller DIXELL XR06CX-5R0C1 mounting measurements 71x29mm built-in depth 50mm 230V voltage AC NTC relay outputs 3 NO-20A(8) CO-8A(3) NO-5A(2) NTC NTC DI protection IP54 -40 up to +110°C display 3½ digits		
accessories for	378363		
	GEV No.	Ref. No.	—
	temperature probe NTC 10kOhm cable PVC probe -40 up to +110°C cable -10 up to 100°C connection 2-wire thread probe ø6x14mm cable length 3m		

probes

producer-specific probes

probes



1

GEV No.	403899	Ref. No.	W0302305
description	probe NTC 10kOhm cable PVC probe -40 up to +110°C cable -40 up to +110°C connection coded plug thread probe ø6x14mm cable length 600m GFR2700/GRE2700		



1

GEV No.	403901	Ref. No.	W0302304
description	probe NTC 10kOhm cable PVC probe -40 up to +110°C cable -40 up to +110°C connection coded plug thread probe ø6x14mm cable length 800m GFR2700/GRE2700		

solenoïd valves


solenoïd valves (refrigeration)

SANHUA

valves



1

GEV No.	374110	Ref. No.	W0205011
description	solenoid valve type FDF2AT connection 6mm soldering connection L 143mm pipe connection ø 6mm 220-240V		
accessories for	374110		
	GEV No.	Ref. No.	W0208009
	T-piece copper ID ø 4.5mm ED ø 6mm refrigeration for GFR2700		

compressors

EMBRACO / ASPERA

R290A

LBP monophase

Lower evaporation temperature below -20°C



1

GEV No.	605258	Ref. No.	W0201133
description	compressor coolant R290 type EMTE2134U 220-240V 50Hz LBP 9kg 3/8HP cylinder capacity 9.5cm³ CSIR H 187mm 250W 278W 305W 330W 366WWWWW		

R600A

LBP monophase

Lower evaporation temperature below -20°C



GEV No.	605281	Ref. No.	W0201151
description	compressor coolant R600a type EMB40CLC 220-240V 50Hz LBP 8kg 1HP cylinder capacity 7.24cm ³ H 160mm		

fans

refrigeration fans

refrigeration motors universal

IMPORT

multi fit fan motors

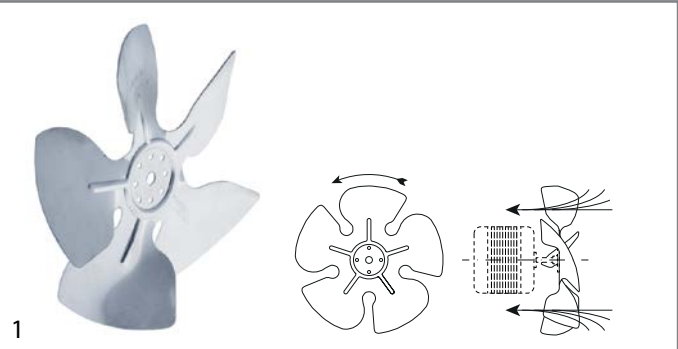


GEV No.	601020	Ref. No.	W0301906 W0301911
description	fan motor 5W 230V 50-60Hz L1 44mm L2 48mm L3 79mm W 84mm cable length 500mm 1300rpm YZF5-13-18/26 5 mounting options bearing slide bearing		

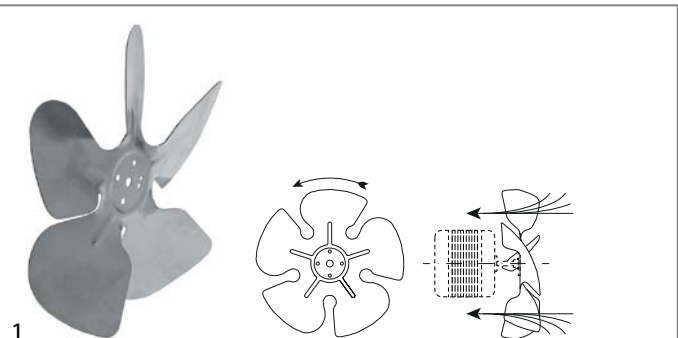
accessories

fan wheels

aluminium



GEV No.	601553	Ref. No.	W0301078
description	fan wheel sucking ø 172mm fan wheel mounting 25.4mm blade angle 28° W 35mm aluminium		



GEV No.	601070	Ref. No.	W0301060
description	fan wheel sucking ø 200mm fan wheel mounting 25.4mm blade angle 28° W 38mm aluminium		

cooling motors (complete)



GEV No.	602174	Ref. No.	W0301913
description	fan 220-240V 7W 50/60Hz fan wheel ø 170mm connection cable 350mm 1300rpm GFR2700/GRE2700		

accessories for	602174	GEV No.	699579	Ref. No.	80021501
	bracket for fan for evaporator L 130mm W 80mm hole distance 63mm for GFR2700/GRE2700				

equipment-specific units


for fridges

drain systems

drain valves




1

GEV No.	699499	Ref. No.	W0409858
description	drain fitting connection A L 47mm hose ø 15mm for GFR2700/ GRE2700 plastic		
accessories for	699499		
	GEV No.	699567	Ref. No.
			W0409859
	drain fitting connection B L 20mm for GFR2700/ GRE2700 plastic		



1

GEV No.	699567	Ref. No.	W0409859
description	drain fitting connection B L 20mm for GFR2700/ GRE2700 plastic		
accessories for	699567		
	GEV No.	699499	Ref. No.
			W0409858
	drain fitting connection A L 47mm hose ø 15mm for GFR2700/ GRE2700 plastic		

drain pans



1

GEV No.	530916	Ref. No.	80012001
description	drain pan L 520mm W 233mm H 30mm for GFR2700/ GRE2700 hole ø 24mm		

spare parts and accessories



1

GEV No.	699568	Ref. No.	W0604038
description	base plate for door hinge mounting pos. lower L 35mm W 25mm for GFR2700/ GRE2700		





1

GEV No.	699569	Ref. No.	W0604030
description	base plate for door hinge mounting pos. right L 74mm W 42mm for GFR2700/ GRE2700		





1

GEV No.	692867	Ref. No.	W04102051
description	cover ø 20mm L 400mm W 43mm plastic Qty 1 pcs for GFR2700/ GRE2700		
accessories for	692867		
	GEV No.	692870	Ref. No.
			W0413062
	rubber pad L 40mm W 17mm H 30mm for GFR2700/ GRE2700		
	GEV No.	696789	Ref. No.
			W0210413
	copper pipe with insulation pipe ø 6 for fridge GFR2700/ GRE2700		





1



GEV No.	692870	Ref. No.	W0413062
description	rubber pad L 40mm W 17mm H 30mm for GFR2700/ GRE2700		
accessories for	692870		
	GEV No.	692867	Ref. No.
			W04102051
	cover ø 20mm L 400mm W 43mm plastic Qty 1 pcs for GFR2700/ GRE2700		
	GEV No.	696789	Ref. No.
			W0210413
	copper pipe with insulation pipe ø 6 for fridge GFR2700/ GRE2700		








housing and bezels




covers




			
1			
GEV No.	699586	Ref. No.	80010941 80011041
description	bracket for air baffle L 800mm W 38mm H 20mm for GFR2700/ GRE2700 3 holes		
accessories for	699586		
	GEV No.	699573	Ref. No. 80010942 80011042
deflector rear L 1030mm W 363mm H 20mm for GFR2700/GRE2700			



			
1			
GEV No.	699576	Ref. No.	81131203 8113120301
description	cover for drain pan L 598mm W 218mm H 42mm for GFR2700/ GRE2700		
accessories for	699576		
	GEV No.	696783	Ref. No. W0803011
insulation Styropor for drain pan L 515mm W 213mm H 18mm Qty pcs for GFR2700/GRE2700			

			
1			
GEV No.	692879	Ref. No.	W0409863
description	cover for lamp L 185mm W 55mm H 40mm for GFR2700/GRE2700		
accessories for	692879		
	GEV No.	357260	Ref. No. W0304086 W0304511
LED bar L 130mm W 14mm H 8mm cable length 300mm GFR2700/ GRE2700			

			
1			
GEV No.	699574	Ref. No.	81131204 8113120401
description	cover front for evaporator L 598mm W 295mm H 65mm for GFR2700/ GRE2700		
accessories for	699574		
	GEV No.	699577	Ref. No. 80021203
cover left for evaporator L 255mm W 155mm H 15mm for GFR2700/ GRE2700			
	GEV No.	699578	Ref. No. 80021204
cover right for evaporator L 255mm W 155mm H 15mm for GFR2700/ GRE2700			

			
1			
GEV No.	699577	Ref. No.	80021203
description	cover left for evaporator L 255mm W 155mm H 15mm for GFR2700/ GRE2700		
accessories for	699577		
	GEV No.	699574	Ref. No. 81131204 8113120401
cover front for evaporator L 598mm W 295mm H 65mm for GFR2700/ GRE2700			
	GEV No.	699578	Ref. No. 80021204
cover right for evaporator L 255mm W 155mm H 15mm for GFR2700/ GRE2700			

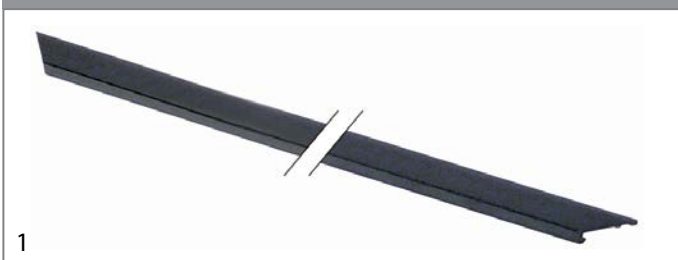
			
1			
GEV No.	699578	Ref. No.	80021204
description	cover right for evaporator L 255mm W 155mm H 15mm for GFR2700/ GRE2700		
accessories for	699578		
	GEV No.	699574	Ref. No. 81131204 8113120401
cover front for evaporator L 598mm W 295mm H 65mm for GFR2700/ GRE2700			
	GEV No.	699577	Ref. No. 80021203
cover left for evaporator L 255mm W 155mm H 15mm for GFR2700/ GRE2700			


			
1			
GEV No.	699573	Ref. No.	80010942 80011042
description	deflector rear L 1030mm W 363mm H 20mm for GFR2700/GRE2700		
accessories for	699573		
	GEV No.	699586	Ref. No. 80010941 80011041
bracket for air baffle L 800mm W 38mm H 20mm for GFR2700/ GRE2700 3 holes			

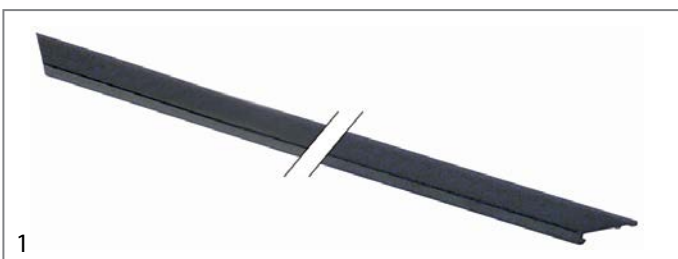
housings


			
1			
GEV No.	699575	Ref. No.	81131401 81131403 8113140302
description	front panel front-upper for fridge L 730mm W 300mm H 62mm for GFR2700/GRE2700		

frame



GEV No.	699583	Ref. No.	W04102045
description	frame rail for door mounting pos. left/right L 1530mm W 19mm H 7.5mm plastic for GFR2700/GRE2700		
accessories for	699583		
	GEV No.	699584	Ref. No. W04102044
	frame rail for door mounting pos. upper/lower L 650mm W 19mm H 7.5mm plastic for GFR2700/GRE2700		




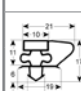


GEV No.	699584	Ref. No.	W04102044
description	frame rail for door mounting pos. upper/lower L 650mm W 19mm H 7.5mm plastic for GFR2700/GRE2700		
accessories for	699584		
	GEV No.	699583	Ref. No. W04102045
	frame rail for door mounting pos. left/right L 1530mm W 19mm H 7.5mm plastic for GFR2700/GRE2700		

doors

doors




GEV No.	699571	Ref. No.	81130201 8113020101
description	door right suitable for GFR2700/GRE2700 W 730mm H 1610mm thickness 45mm stainless steel		
spare parts for	699571		
	GEV No.	699569	Ref. No. W0604030
	base plate for door hinge mounting pos. right L 74mm W 42mm for GFR2700/GRE2700		
	GEV No.	701641	Ref. No. W0409842
	bush upper for door hinge ID ø 11mm ED ø 13mm L 29.5mm for GFR2700/GRE2700		
	GEV No.	701642	Ref. No. W0409843
	bush lower for door hinge ID ø 11mm ED ø 13mm L 26mm for GFR2700/GRE2700		
	GEV No.	902514	Ref. No. W0404514
	refrigeration gasket profile 9750 W 660mm L 1537mm plug size		

miscellaneous



GEV No.	692869	Ref. No.	81131801 W0409081
description	cover for drain pipe L 145mm W 49mm H 44mm plastic for GFR2700		



GEV No.	696783	Ref. No.	W0803011
description	insulation Styropor for drain pan L 515mm W 213mm H 18mm Qty pcs for GFR2700/GRE2700		
accessories for	696783		
	GEV No.	699576	Ref. No. 81131203 8113120301
	cover for drain pan L 598mm W 218mm H 42mm for GFR2700/GRE2700		

locks

locking devices

producer-specific

WEIBO








GEV No.	692878	Ref. No.	W0604007
description	key cylinder rotation 90° cam length 45mm cam width 14mm for GFR2700/GRE2700 with 2 keys		



hinges

door bearing


 <p>1</p>			
GEV No.	699587	Ref. No.	W0604033
description	hinge L 87mm W 46mm mounting pos. upper right thickness 3.6mm bolt 46mm bolt ø 10.5mm for GFR2700/GRE2700		
accessories for	699587		
			
GEV No.	699588	Ref. No.	W0604037
description	hinge L 88mm W 50mm mounting pos. bottom right thickness 3.6mm bolt 29mm bolt ø 11mm for GFR2700/GRE2700		

 <p>1</p>			
GEV No.	699588	Ref. No.	W0604037
description	hinge L 88mm W 50mm mounting pos. bottom right thickness 3.6mm bolt 29mm bolt ø 11mm for GFR2700/GRE2700		
spare parts for	699588		
			
GEV No.	699568	Ref. No.	W0604038
description	base plate for door hinge mounting pos. lower L 35mm W 25mm for GFR2700/GRE2700		
accessories for	699588		
			
GEV No.	699587	Ref. No.	W0604033
description	hinge L 87mm W 46mm mounting pos. upper right thickness 3.6mm bolt 46mm bolt ø 10.5mm for GFR2700/GRE2700		


accessories


bushes

 <p>1</p>			
GEV No.	701642	Ref. No.	W0409843
description	bush lower for door hinge ID ø 11mm ED ø 13mm L 26mm for GFR2700/GRE2700		

 <p>1</p>			
GEV No.	701641	Ref. No.	W0409842
description	bush upper for door hinge ID ø 11mm ED ø 13mm L 29.5mm for GFR2700/GRE2700		

base plate


 <p>1</p>			
GEV No.	699568	Ref. No.	W0604038
description	base plate for door hinge mounting pos. lower L 35mm W 25mm for GFR2700/GRE2700		

 <p>1</p>			
GEV No.	699569	Ref. No.	W0604030
description	base plate for door hinge mounting pos. right L 74mm W 42mm for GFR2700/GRE2700		


equipment feet and end caps

equipment feet

with screw mounting

 <p>1</p>			
GEV No.	701640	Ref. No.	W0409018
description	equipment foot tube ø 51mm plate size 70x70mm hole distance 50mm H 11,7-18mm Qty 1 pcs for GFR2700/GRE2700 adjustable		

with fixing plate


 <p>1</p>			
GEV No.	701640	Ref. No.	W0409018
description	equipment foot tube ø 51mm plate size 70x70mm hole distance 50mm H 11,7-18mm Qty 1 pcs for GFR2700/GRE2700 adjustable		

shelves and shelf rails

grates


producer-specific

 <p>1</p>			
GEV No.	970982	Ref. No.	W0402040
description	grate W 620mm D 530mm plastic-coated steel with hinge camp crossing wires 2 suitable for GRE2700		



1

GEV No.	970980	Ref. No.	W0402366
description	grate W 630mm D 602mm plastic-coated steel crossing wires 2 suitable for GFR2700/GRE2700		




1


GEV No.	970981	Ref. No.	W0402369
description	grate W 650mm D 530mm plastic-coated steel crossing wires 2 suitable for GFR2700		


shelf rails and supports

producer-specific





1

GEV No.	701643	Ref. No.	80037407	
description	guide U-shape L 620mm W 15mm H 20mm mounting pos. left for GFR2700/GRE2700			
accessories for	701643			
	GEV No.	701644	Ref. No.	80037408
	guide U-shape L 620mm W 15mm H 20mm mounting pos. right for GFR2700/GRE2700			





1

GEV No.	701644	Ref. No.	80037408	
description	guide U-shape L 620mm W 15mm H 20mm mounting pos. right for GFR2700/GRE2700			
accessories for	701644			
	GEV No.	701643	Ref. No.	80037407
	guide U-shape L 620mm W 15mm H 20mm mounting pos. left for GFR2700/GRE2700			



1

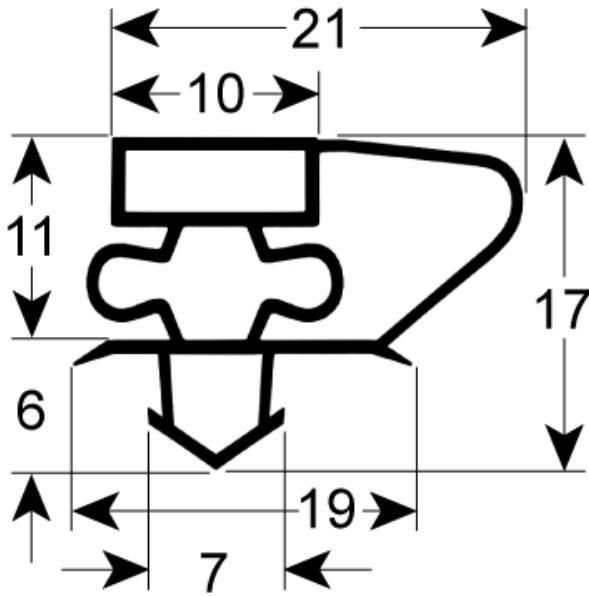
GEV No.	699585	Ref. No.	80037402	
description	rack L 985mm W 57mm H 38mm mounting pos. left/right aperture 15x15mm hole distance 55mm 18 holes for GFR2700/GRE2700			
accessories for	699585			
	GEV No.	701643	Ref. No.	80037407
	guide U-shape L 620mm W 15mm H 20mm mounting pos. left for GFR2700/GRE2700			
	GEV No.	701644	Ref. No.	80037408
	guide U-shape L 620mm W 15mm H 20mm mounting pos. right for GFR2700/GRE2700			

gaskets

refrigeration gaskets

plug-in gaskets

profile 9750



1

GEV No.	902514	Ref. No.	W0404514
description	refrigeration gasket profile 9750 W 660mm L 1537mm plug size		

refrigeration cycle components

filter driers

miscellaneous



1

GEV No.	750748	Ref. No.	W0204101
description	dryer ø 19mm L 166mm connection 2,7/5,2 for GFR2700/GRE2700		




refrigeration pipes

copper pipes uninsulated




1

GEV No.	692872	Ref. No.	W0210284
description	refrigeration pipe ID \varnothing 2/3mm ED \varnothing 5mm L 0.4m refrigeration GFR2700		




1

GEV No.	692871	Ref. No.	W0210452
description	refrigeration pipe ID \varnothing 3/7mm ED \varnothing 6/8mm L 0.38m refrigeration GFR2700		



1

GEV No.	692874	Ref. No.	W0210412
description	refrigeration pipe ID \varnothing 5.5mm ED \varnothing 6.5mm L 0.3m refrigeration GFR2700		




1

GEV No.	692876	Ref. No.	W0210411
description	refrigeration pipe ID \varnothing 5mm ED \varnothing 6.5mm L 0.28m refrigeration GFR2700		





1

GEV No.	692875	Ref. No.	W0210416
description	refrigeration pipe ID \varnothing 6,5/7,5mm ED \varnothing 7,5/8,5mm L 0.38m refrigeration GRE2700		



1

GEV No.	692873	Ref. No.	W0210282
description	refrigeration pipe ID \varnothing 6.5mm ED \varnothing 8mm L 0.36m refrigeration GFR2700		
accessories for	692873		
	GEV No.	Ref. No.	W0208009
	T-piece copper ID \varnothing 4.5mm ED \varnothing 6mm refrigeration for GFR2700		



1

GEV No.	692877	Ref. No.	W0210417
description	refrigeration pipe ID \varnothing 6/7mm ED \varnothing 7/8mm L 0.41m refrigeration GRE2700		

copper pipes insulated



1

GEV No.	696789	Ref. No.	W0210413
description	copper pipe with insulation pipe \varnothing 6 for fridge GFR2700/GRE2700		
accessories for	696789		
	GEV No.	Ref. No.	W04102051
	cover \varnothing 20mm L 400mm W 43mm plastic Qty 1 pcs for GFR2700/GRE2700		
	GEV No.	Ref. No.	W0413062
	rubber pad L 40mm W 17mm H 30mm for GFR2700/GRE2700		



1

GEV No.	699570	Ref. No.	W0210414
description	refrigeration pipe pipe ø 8 L 1700mm GFR2700		



1

GEV No.	699572	Ref. No.	W0210418
description	refrigeration pipe pipe ø 8 L 1700mm GRE2700		


connections




1

GEV No.	696787	Ref. No.	W0208009
description	T-piece copper ID ø 4.5mm ED ø 6mm refrigeration for GFR2700		

accessories for 696787

	GEV No.	374110	Ref. No.	W0205011
	description	solenoid valve type FDF2AT connection 6mm soldering connection L 143mm pipe connection ø 6mm 220-240V		

	GEV No.	692873	Ref. No.	W0210282
	description	refrigeration pipe ID ø 6.5mm ED ø 8mm L 0.36m refrigeration GFR2700		




evaporators

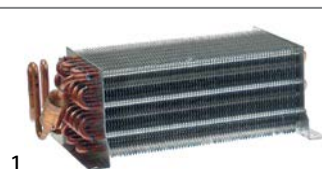
for fridges

producer-specific






1

GEV No.	750744	Ref. No.	W0202112 W0202112A	
description	evaporator L 404mm W 175mm H 142mm GFR2700			
accessories for	750744			
	GEV No.	699574	Ref. No.	81131204 8113120401
	description	cover front for evaporator L 598mm W 295mm H 65mm for GFR2700/GRE2700		
	GEV No.	699577	Ref. No.	80021203
	description	cover left for evaporator L 255mm W 155mm H 15mm for GFR2700/GRE2700		
	GEV No.	699578	Ref. No.	80021204
	description	cover right for evaporator L 255mm W 155mm H 15mm for GFR2700/GRE2700		



1

GEV No.	750743	Ref. No.	W0202117 W0202117A	
description	evaporator W 150mm H 135mm L 300mm GRE2700			
accessories for	750743			
	GEV No.	699574	Ref. No.	81131204 8113120401
	description	cover front for evaporator L 598mm W 295mm H 65mm for GFR2700/GRE2700		
	GEV No.	699577	Ref. No.	80021203
	description	cover left for evaporator L 255mm W 155mm H 15mm for GFR2700/GRE2700		
	GEV No.	699578	Ref. No.	80021204
	description	cover right for evaporator L 255mm W 155mm H 15mm for GFR2700/GRE2700		

accessories

miscellaneous



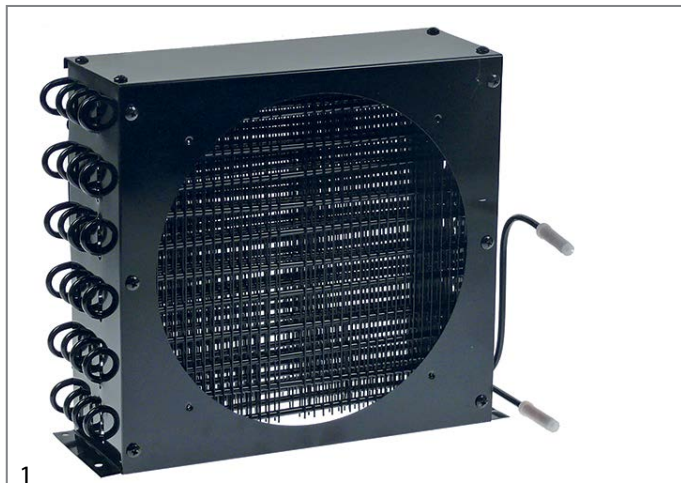
1

GEV No.	692868	Ref. No.	W0409079
description	cover for evaporator plastic GFR2700/GRE2700		



condensers

condensers



1

GEV No.	750746	Ref. No.	W0203051
description	condenser Capacitor W 250mm H 100mm L 260mm for GRE2700		




1


GEV No.	750742	Ref. No.	W0203052
description	condenser Capacitor W 250mm H 140mm L 260mm GFR2700		

evaporation and condensing trays

evaporation trays


1




GEV No.	750745	Ref. No.	W0409071	
description	evaporation tray rear L 527mm W 238mm for fridge for GFR2700/GRE2700			
accessories for	750745			
	GEV No.	750747	Ref. No.	W0409078
	 overflow plastic for GFR2700/GRE2700			

miscellaneous

1



GEV No.	750747	Ref. No.	W0409078	
description	overflow plastic for GFR2700/GRE2700			
accessories for	750747			
	GEV No.	750745	Ref. No.	W0409071
	 evaporation tray rear L 527mm W 238mm for fridge for GFR2700/GRE2700			

mechanical components, equipment accessories

1

C

compressors	4
copper pipes insulated	11
copper pipes uninsulated	11

E

electronic controllers	4
evaporators	12

F

fans	5
filter driers	10
foil heating elements	3

G

grates	9
--------	---

H

heating cables	3
heating elements	3

L

lamp accessories	3
lamps	3
LED	3

M

microswitches	3
---------------	---

P

plug-in gaskets	10
probes	4

R

refrigeration cycle components	10
refrigeration fans	5
refrigeration gaskets	10
refrigeration motors universal	5
refrigeration pipes	11
rocker/momentary rocker switches	3

S

shelves and shelf rails	9
solenoid valves	4
switches and momentary switches	3

T

transformers	3
--------------	---