



GAS COMPONENTS



ELECTRIC COMPONENTS



WATER TECHNOLOGY



MECHANICAL COMPONENTS



TOOLS

Spare parts suitable for

SMEG

Find the complete and up-to-date range of products in our GEV Webshop



Manufacturer catalogue

The most important spare parts and accessories arranged clearly for every manufacturer

- ✓ Complete product range and all appliance data always up to date in the GEV Webshop
- ✓ Alphabetical Index at the end of the catalogue

GEV Webshop

www.gev-online.co.uk

www.gev-online.com

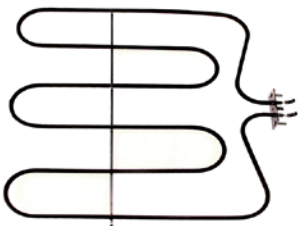


- 🔍 Add to Favourites
- 🔍 Sign In with email address and usual password
- 🔍 Easy-order – place several items in your basket at the same time
- 🔍 Quick Item search – no login needed




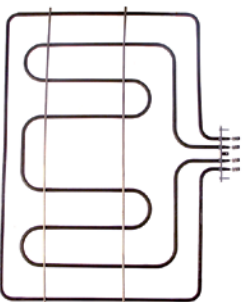
heating elements

heating elements for ovens



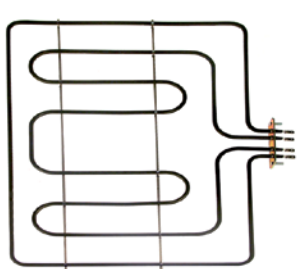
1

GEV No.	418512	Ref. No.	38087 806890366
description	heating element 1190W 220V heating circuits 1 L 375mm W 400mm L1 47mm L2 327mm W1 183mm W2 30mm flange length 70mm flange width 22mm hole distance 56mm bridge length 420mm tube ø 6.3mm connection male faston 6.3mm windings 3 rectangular flange mounting thread M4		
accessories for	418512		
	GEV No.	510368	Ref. No. —
	gasket L 70mm W 23.5mm hole ø 5mm hole distance 56mm FIBER thickness 2mm for heating element		



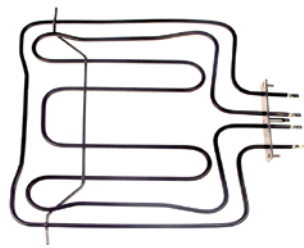
1

GEV No.	418542	Ref. No.	806890580 806890592
description	heating element 1750W 240V heating circuits 2 L 387mm W 519mm L1 31mm L2 357mm W1 230mm W2 63mm flange length 100mm flange width 22mm hole distance 86mm bridge length 532mm hole ø M4mm tube ø 6.5mm connection male faston 6.3mm rectangular flange dry heating element		



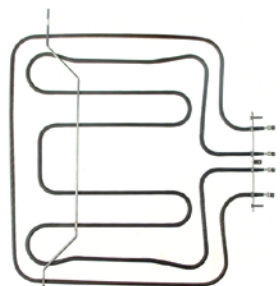
1

GEV No.	418514	Ref. No.	50271 806890477
description	heating element 2300W 230V heating circuits 2 L 384mm W 526mm L1 30mm L2 354mm W1 233mm W2 60mm flange length 100mm flange width 22mm hole distance 86mm bridge length 545mm hole ø M4mm tube ø 6.3mm connection male faston 6.3mm rectangular flange oven grill settin		



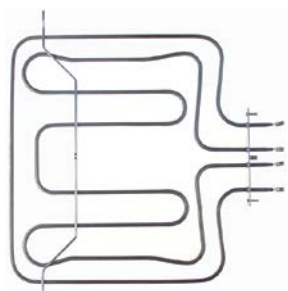
1

GEV No.	418511	Ref. No.	56537 806890527
description	heating element 2700W 230V heating circuits 2 L 370mm W 390mm L1 42mm L2 328mm W1 142mm W2 105mm flange length 150mm flange width 24mm bridge length 460mm hole distance 134mm hole ø M4mm tube ø 6.3mm connection male faston 6.3mm connection length 55mm rectangular flange dry heating element oven		



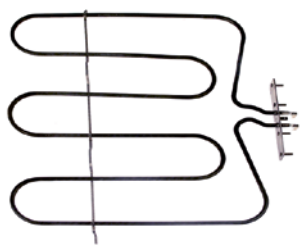
1

GEV No.	418539	Ref. No.	806890278
description	heating element 2830W 240V heating circuits 2 L 370mm W 390mm L1 42mm L2 328mm W1 142mm W2 105mm flange length 150mm flange width 24mm bridge length 460mm hole distance 134mm hole ø M4mm tube ø 6.3mm connection male faston 6.3mm connection length 35mm rectangular flange dry heating element		



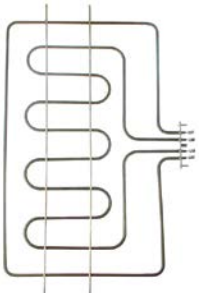
1

GEV No.	418540	Ref. No.	806890409
description	heating element 2830W 240V heating circuits 2 L 370mm W 390mm L1 42mm L2 328mm W1 142mm W2 105mm flange length 150mm flange width 24mm bridge length 460mm hole distance 134mm tube ø 6.3mm connection male faston 6.3mm connection length 55mm rectangular flange dry heating element mounting thread M4		



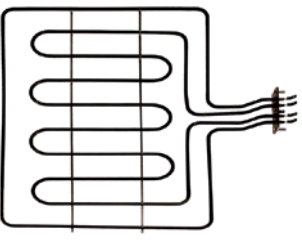
1

GEV No.	418515	Ref. No.	20876 806890230 806890275
description	heating element 300W 230V heating circuits 1 L 375mm W 400mm L1 57mm L2 320mm W1 185mm W2 30mm flange length 150mm flange width 24mm hole distance 134/56mm bridge length 460mm hole ø M4mm tube ø 6.3mm connection male faston 6.3mm windings 3 151		



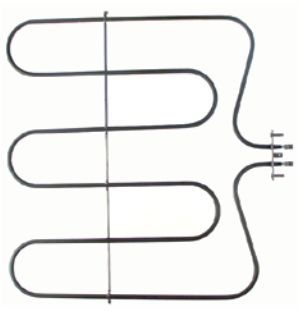
2

GEV No.	418543	Ref. No.	806890438
description	heating element 4200W 240V heating circuits 2 L 365mm W 540mm L1 40mm L2 325mm W1 240mm W2 61mm flange length 100mm flange width 22mm hole distance 87mm bridge length 610mm hole ø M4mm tube ø 6.3mm connection male faston 6.3mm rectangular flange dry heating element		




1

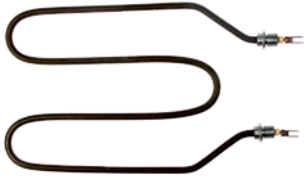
GEV No.	418513	Ref. No.	50272 806890471
description	heating element 4300W 230V heating circuits 2 L 460mm W 540mm L1 100mm L2 360mm W1 240mm W2 60mm flange length 100mm flange width 22mm hole distance 88mm bridge length 550mm hole ø M4mm tube ø 6.5mm connection male faston 6.3mm rectangular flange dry heating element oven grill settin		







1

GEV No.	418541	Ref. No.	806890276
description	heating element 600W 230V heating circuits 1 L 375mm W 400mm L1 17mm L2 351mm W1 185mm W2 30mm flange length 70mm flange width 22mm hole distance 56mm bridge length 420mm thread M4 tube ø 6.3mm connection male faston 6.3mm windings 3 rectangular flange dry heating element		
accessories for	418541		
		GEV No.	510368
		Ref. No.	—
	gasket L 70mm W 23.5mm hole ø 5mm hole distance 56mm FIBER thickness 2mm for heating element		

heating elements for hot counters




1


GEV No.	418538	Ref. No.	806890454
description	heating element 200W 230V heating circuits 1 L 245mm W 160mm W1 36mm W2 88mm connection length 23mm tube ø 6.3mm connection male faston 6.3mm dry heating element for vitrine L1 15mm L2 55mm L3 175mm 2 hole fixing thread 1/4" mounting distance 84mm		
accessories for	418538		
		GEV No.	361182
		Ref. No.	—
	nut thread 1/4" H 5mm nickel-plated brass WS 17 Qty 1 pcs		
		GEV No.	510417
		Ref. No.	—
	flat gasket fibre ED ø 20mm ID ø 14mm thickness 2mm Qty 1 pcs		
		GEV No.	520228
		Ref. No.	—
	tooth lock washer ID ø 15.3mm ED ø 24mm steel Qty 1 pcs for thread M14		
		GEV No.	550262
		Ref. No.	—
	flat gasket copper ED ø 20mm ID ø 14mm thickness 2mm		




heating elements for convection





1

GEV No.	418537	Ref. No.	45697 806890437
description	heating element 1330/2660W 230V heating circuits 2 ID ø 222mm ED ø 235mm L 245mm H 38mm L1 10mm W1 60mm H1 13mm H2 25mm flange length 100mm flange width 22mm hole distance 86mm connection male faston 6.3mm connection length 43mm tube ø 6.5mm convection heating element mounting thread M4 rectangular flange with thread bolt		
accessories for	418537		
	GEV No.	550938	Ref. No. 784131065
	gasket L 103mm W 25mm thickness 1mm for heating element		




1

GEV No.	418584	Ref. No.	806890593
description	heating element 1550W 230V heating circuits 1 ID ø 180mm ED ø 192mm L 210mm H 28mm L1 12mm W1 31mm H1 11mm H2 18mm flange length 70mm flange width 22mm hole distance 28mm connection male faston 6.3mm tube ø 6mm convection heating element hole ø 5mm rectangular flange		
accessories for	418584		
	GEV No.	510368	Ref. No. —
	gasket L 70mm W 23.5mm hole ø 5mm hole distance 56mm FIBER thickness 2mm for heating element		



1

GEV No.	418536	Ref. No.	693490094
description	heating element 1550W 230V heating circuits 1 ID ø 188mm ED ø 195mm L 215mm H 32mm L1 15mm W1 33mm H1 9mm H2 21mm flange length 100mm flange width 22mm hole distance 83mm connection male faston 6.3mm connection length 38mm tube ø 6.3mm convection heating element mounting thread M4 rectangular flange with thread bolt		




1

GEV No.	418510	Ref. No.	20875 806890232 806890274
description	heating element 1700W 230V heating circuits 1 rectangular flange with thread bolt		



1

GEV No.	418535	Ref. No.	806890217 806890355 806890397 806890591 806890807 806890882
description	heating element 2000W 230V heating circuits 1 ID ø 180mm ED ø 192mm L 210mm H 28mm L1 13mm W1 30mm H1 10mm H2 18mm flange length 70mm flange width 22mm hole distance 28mm connection male faston 6.3mm connection length 37mm tube ø 6.3mm convection heating element hole ø 4.5mm rectangular flange		
accessories for	418535		
	GEV No.	510368	Ref. No. —
	gasket L 70mm W 23.5mm hole ø 5mm hole distance 56mm FIBER thickness 2mm for heating element		





1

GEV No.	418571	Ref. No.	806890378
description	heating element 2600W 230V heating circuits 2 ID ø 180mm ED ø 192mm L 212mm H 34mm L1 10mm W1 60mm H1 10mm H2 24mm flange length 100mm flange width 22mm hole distance 86mm connection male faston 6.3mm tube ø 6.3mm convection heating element mounting thread M4 rectangular flange with thread bolt		


			
1			
GEV No.	418509	Ref. No.	64102 806890550
description	heating element 2660W 230V heating circuits 1 ID ø 210mm ED ø 223mm L 245mm H 34mm L1 14mm W1 30mm H1 6mm H2 24mm flange length 100mm flange width 23mm hole distance 86mm connection male faston 6.3mm connection length 38mm tube ø 6.3mm convection heating element mounting thread M4 rectangular flange with thread bolt		
For models:	ALFA135XM		


			
1			
GEV No.	418507	Ref. No.	46286 806890449 806890589 806890656
description	heating element 2700W 230V heating circuits 1 ID ø 180mm ED ø 195mm L 210mm H 30mm L1 10mm W1 30mm H1 11mm H2 25mm flange length 70mm flange width 22mm hole distance 26mm connection male faston 6.3mm connection length 193mm tube ø 6.3mm convection heating element hole ø 4.5mm rectangular flange		
accessories for	418507		
	GEV No.	510368	Ref. No. —
	gasket L 70mm W 23.5mm hole ø 5mm hole distance 56mm FIBER thickness 2mm for heating element		


			
1			
GEV No.	418508	Ref. No.	40656 806890118 806890386
description	heating element 2700W 230V heating circuits 1 ID ø 181mm ED ø 194mm L 208mm H 30mm L1 10mm W1 30mm H1 10mm H2 24mm flange length 70mm flange width 22mm hole distance 56mm connection male faston 6.3mm tube ø 6.3mm convection heating element mounting thread M4 rectangular flange with thread bolt		
accessories for	418508		
	GEV No.	510368	Ref. No. —
	gasket L 70mm W 23.5mm hole ø 5mm hole distance 56mm FIBER thickness 2mm for heating element		

accessories


flange gaskets

			
1			
GEV No.	550938	Ref. No.	784131065
description	gasket L 103mm W 25mm thickness 1mm for heating element		

			
1			
GEV No.	550940	Ref. No.	784130392
description	gasket L 70mm W 31mm hole distance 55mm thickness 1.2mm for heating element		

			
1			
GEV No.	550937	Ref. No.	784130396
description	gasket L 71mm W 21mm hole ø 5mm hole distance 57mm fibre thickness 1mm for heating element		


clamps

			
1			
GEV No.	550939	Ref. No.	895090304
description	probe clip for pipe ømm for probe ø 6mm		

energy regulators

EGO


1-circuit

			
1			
GEV No.	380015	Ref. No.	23921 816810066 818731068
description	energy regulator 230V 13A single-circuit turn direction right shaft ø 6x4.6mm shaft L 23mm mounting thread M4 power release 6-100% no. 50.57021.010		


thermostats


bi-metal thermostats


safety bi-metal thermostats


 <p>1</p>			
GEV No.	390531	Ref. No.	36627 818730541
description	bi-metal safety thermostat hole distance 40mm switch-off temp. 150°C 2NC 2-pole 16A connection F6.3 2 hole fixing		


bi-metal thermostats

 <p>1</p>			
GEV No.	390570	Ref. No.	818730567 818731477 818731550
description	bi-metal thermostat hole distance 23.5mm switch-off temp. 160°C 1NC 1-pole 16A 250V connection F6.3		

 <p>1</p>			
GEV No.	390294	Ref. No.	818730424
description	bi-metal thermostat hole distance 23.5mm switch-off temp. 70°C 1NC 1-pole 16A 250V connection F6.3 2 hole fixing Ty.60 t.max. 210°C		

 <p>1</p>			
GEV No.	390532	Ref. No.	19215 28636 818730273 818730424
description	bi-metal thermostat hole distance 23.5mm switch-off temp. 70°C 1NC 1-pole 16A connection F6.3 2 hole fixing		

 <p>1</p>			
GEV No.	390533	Ref. No.	23038 698731043 818730332 818731042
description	bi-metal thermostat hole distance 23.5mm switch-off temp. 160°C 1NC 1-pole 16A connection F6.3 M5		

 <p>1</p>			
GEV No.	390429	Ref. No.	818731097
description	bi-metal thermostat switch-off temp. 130°C 10A		


control and safety thermostats

EGO

control thermostats

55.10/19_ series

 <p>1</p>			
GEV No.	375831	Ref. No.	818730033
description	thermostat t.max. 270°C temperature range 40-270°C 1-pole 1NO 16A probe ø 3mm probe L 145mm capillary pipe 900mm capillary pipe isolated 900mm gland nut shaft ø 6x4.6mm shaft L 23mm shaft position upper rotation 270°		

 <p>1</p>			
GEV No.	375822	Ref. No.	818730269
description	thermostat t.max. 275°C temperature range 50-275°C 1-pole 1NO probe ø 3mm probe L 133mm capillary pipe 900mm capillary pipe isolated 900mm gland nut shaft ø 6x4.6mm shaft L 43mm shaft position right rotation 247°		

 <p>1</p>			
GEV No.	375823	Ref. No.	818731128
description	thermostat t.max. 296°C temperature range 50-275°C 1-pole 1NO 16A probe ø 3mm probe L 133mm capillary pipe 900mm capillary pipe isolated 900mm gland nut shaft ø 6x4.6mm shaft L 43mm shaft position upper		




GEV No.	375824	Ref. No.	818730130
description	thermostat t.max. 320°C temperature range 50-320°C 1-pole 1NO 16A probe ø 3mm probe L 145mm capillary pipe 900mm capillary pipe isolated 900mm gland nut shaft L 23mm shaft position upper		




GEV No.	390040	Ref. No.	818731106
description	thermostat t.max. 90°C temperature range 30-90°C 1-pole 1CO 16A probe ø 6mm probe L 130mm capillary pipe 2040mm capillary pipe isolated 1940mm gland nut shaft ø 6x4.6mm shaft L 23mm shaft position upper rotation 270° probe material SS		

55.14_ series



GEV No.	375826	Ref. No.	818730265
description	thermostat t.max. 290°C 1-pole gland nut		



GEV No.	375825	Ref. No.	818730514
description	thermostat t.max. 300°C 1-pole gland nut		

55.17_ series



GEV No.	375933	Ref. No.	818731124 818731175
description	thermostat t.max. 295°C temperature range 62-295°C 1-pole 1CO 16A probe ø 3.03mm probe L 152mm capillary pipe 1060mm capillary pipe isolated 960mm gland nut shaft ø 6x4.6mm shaft L 23mm shaft position° shaft position rotation 270°		



GEV No.	375815	Ref. No.	42763 818730616
description	thermostat t.max. 297°C 1-pole probe ø 3mm probe L 180mm capillary pipe isolatedmm gland nut shaft ø 6x4.6mm shaft L 33mm shaft position upper		



GEV No.	390745	Ref. No.	818730616
description	thermostat t.max. 298°C 1-pole 1NO probe ø 3mm probe L 182mm capillary pipe 1000mm capillary pipe isolated 980mm gland nut shaft ø 6x4.6mm shaft L 33mm shaft position upper rotation 230° probe material SS		



safety thermostats

55.32_series



GEV No.	375228	Ref. No.	44553 818731004
description	safety thermostat switch-off temp. 350°C 3-pole 20A probe ø 3mm probe L 188mm capillary pipe 900mm capillary pipe isolated 900mm gland nut probe SS		
For models:	ALFA135XM		



GEV No.	390142	Ref. No.	818731004
description	safety thermostat switch-off temp. 360°C 3-pole 20A probe ø 3.1mm probe L 188mm capillary pipe 1490mm capillary pipe isolated 800mm gland nut probe SS		

control thermostats with operation switch

55.10/19_series



GEV No.	375828	Ref. No.	691730200
description	thermostat t.max. 294°C 1-pole 1NO probe ø 3.1mm probe L 226mm capillary pipe 900mm capillary pipe isolatedmm gland nut		



GEV No.	375829	Ref. No.	691730184
description	thermostat t.max. 320°C temperature range 50-320°C 1-pole 1NO probe ø 3.1mm probe L 226mm capillary pipe 900mm capillary pipe isolatedmm gland nut shaft ø 6x4.6mm rotation 270°		

CAMPINI

control thermostats



GEV No.	375816	Ref. No.	13286 818730176
description	thermostat t.max. 270°C temperature range 50-270°C 1-poleA probe ø 3mm probe L 135mm capillary pipe 1450mm capillary pipe isolatedmm gland nut shaft Lmm		



GEV No.	375934	Ref. No.	Ty 95
description	thermostat t.max. 280°C temperature range 50-280°C 1-pole 1NO 16A probe ø 3mm probe L 185mm capillary pipe 960mm capillary pipe isolated 700mm gland nut shaft ø 6x4.6mm shaft L 23mm shaft position upper rotation 270° probe material SS 250V		



GEV No.	375919	Ref. No.	818730616
description	thermostat t.max. 292°C temperature range 50-292°C 1-pole 1NO 16A probe ø 3mm probe L 170mm capillary pipe 970mm capillary pipe isolated 970mm gland nut shaft ø 6x4.6mm shaft L 33mm shaft position upper rotation 230° probe material SS 250V		



GEV No.	390973	Ref. No.	818730461
description	thermostat t.max. 320°C 1-pole 1NO 16A probe ø 3mm probe L 135mm capillary pipe 950mm capillary pipe isolated 950mm shaft ø 6x4.6mm shaft L 23mm shaft position upper rotation 270°		

JAEGER

control thermostats



GEV No.	375827	Ref. No.	818730556
description	thermostat t.max. 90°C temperature range 30-90°C 1-pole 1CO probe ø 6mm probe L 100mm capillary pipe 1500mm shaft ø 6x4.6mm shaft L 15mm shaft position upper rotation 270°		

various

control thermostats



GEV No.	375811	Ref. No.	60444 818731175
description	thermostat t.max. 250°C temperature range 50-250°C 1-pole shaft ø 6x4.6mm		
For models:	ALFA135XM		



GEV No.	375812	Ref. No.	31307
description	thermostat t.max. 280°C temperature range 50-280°C 1-pole 1NO probe ø 3.5mm probe L 110mm capillary pipe 950mm shaft ø 6x4.6mm shaft position upper rotation 270°		

accessories

probe clips

clamps



GEV No.	550939	Ref. No.	895090304
description	probe clip for pipe ømm for probe ø 6mm		

connecting bows



GEV No.	550060	Ref. No.	018290023
description	connecting bow long for thermostat Qty 1 pcs		

switches and momentary switches


rocker/momentary rocker switches

19x13mm



GEV No.	301279	Ref. No.	814490954
description	rocker switch mounting measurements 19x13mm black 2NO 250V 6A 0-I connection male faston 4.8mm protection IP40 2-pole		




GEV No.	301067 ¹	Ref. No.	814490439
description	rocker switch mounting measurements 19x13mm red 2NO 250V 13A illuminated 0-I connection male faston 4.8mm protection IP40		
accessories for	301067		
	GEV No.	301064	Ref. No. —
	protective cover for pressure switch external size 23.4x17.4mm internal size 19x13mm H 7.5mm clear mounting measurementsmm		

¹illuminated

push/momentary push switches

19x13mm



GEV No.	346542 ¹	Ref. No.	814490496
description	push switch mounting measurements 19x13mm yellow 2NO 250V 16A illuminated connection male faston 4.8mm ambient temperature max. 85°C protection IP40		
accessories for	346542		
	GEV No.	346541	Ref. No. —
	protective cover for rocker switch external size 23.4x17.4mm internal size 19x13mm H 9.5mm mounting measurementsmm		

¹illuminated

microswitches

lever actuated





GEV No.	346838	Ref. No.	26594 814490215
description	microswitch with double lever 250V 16A 2CO connection male faston 6.3mm L 40mm ambient temperature max. 125°C mounting distancecm type VRSR01DA1 actuating force: 160g		
For models:	ALFA135XM		




GEV No.	346861	Ref. No.	814490182
description	microswitch with double lever 250V 16A 2CO connection male faston 6.3mm L 82mm ambient temperature max. 125°C mounting distance 22mm type AH2AF actuating force: 80g		




			
1			
GEV No.	345255	Ref. No.	814490424
description	microswitch with lever 250V 16A 1CO connection male faston 6.3mm L 35mm L1 28mm ambient temperature max. 125°C mounting distance 22mm actuating force: 136g lever length 27mm		

			
1			
GEV No.	346862	Ref. No.	694490516
description	microswitch with double lever 250V 16A 2CO connection male faston 6.3mm ambient temperature max. 85°C with fixing sheet type AH2AF		


			
1			
GEV No.	346863	Ref. No.	694490661
description	microswitch with lever 250V 10A 1CO ambient temperature max. 85°C		

pin-plunger actuated

M10

			
1			
GEV No.	346864	Ref. No.	814490072
description	microswitch with plunger thread M10x0.75 thread L 6mm 250V 10A 1NO connection male faston 6.3mm stroke 3mm mounting distance 22mm ambient temperature max. 125°C actuating force: 200g		

miscellaneous

			
1			
GEV No.	346834	Ref. No.	58008 814490532
description	microswitch with plunger 250V 16A 1NO connection male faston 6.3mm ambient temperature max. 125°C		

system switches

SMEG


push buttons

			
1			
GEV No.	346860	Ref. No.	768550033
description	push button ø 21mm steam black		

element holders


			
1			
GEV No.	346835	Ref. No.	58006 768412841
description	element holder ø 24mm for push buttons ø 21mm		

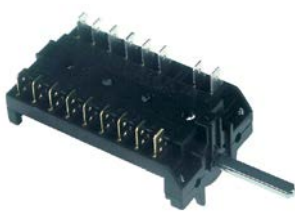
switches

			
1			
GEV No.	346834	Ref. No.	58008 814490532
description	microswitch with plunger 250V 16A 1NO connection male faston 6.3mm ambient temperature max. 125°C		

cam switches


7-position

			
1			
GEV No.	301289	Ref. No.	811730316
description	cam switch 7 operating positions 7NO sequence 0-1-2-3-4-5-6 16A shaft ø 6x4.6mm shaft L 34mm connection male faston 6.3mm 7-position plastic		

1


GEV No.	300203	Ref. No.	50273 811730232
description	cam switch 7-position shaft ø 6x4.6mm connection male faston		



1

GEV No.	300202	Ref. No.	63228 811730316
description	cam switch 7-position shaft ø 6x4.6mm shaft L 34mm connection male faston 6.3mm		


2 operating positions



1

GEV No.	301280	Ref. No.	811730194 811730206
description	cam switch 2 operating positions 1NO sequence 0-1 16A shaft ø 6x4.6mm shaft L 23mm connection male faston 6.3mm		


3 operating positions



1


GEV No.	301244	Ref. No.	811730166
description	cam switch 3 operating positions sequence 1-0-2 shaft ø 6x4.6mm connection male faston		

7 operating positions



1


GEV No.	301243	Ref. No.	811730128
description	cam switch 7 operating positions shaft ø 6x4.6mm connection male faston 8-pole		



1


GEV No.	301242	Ref. No.	811730074
description	cam switch 7 operating positions shaft ø 6x4.6mm shaft L 40mm connection male faston 8-pole		

operation switches



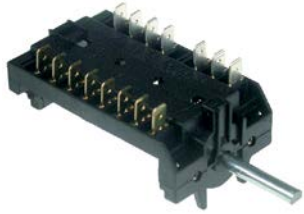
1

GEV No.	300201	Ref. No.	51691 811730241
description	cam switch 3 operating positions sequence 0-1-2 shaft ø 6x4.6mm connection male faston 6-pole rotation 310°		
For models:	ALFA135XM		




1

GEV No.	301241	Ref. No.	811730109
description	cam switch 5 operating positions operation switch sequence 0-1-2-3-4 shaft ø 6x4.6mm connection male faston 3-pole ambient temperature max. 330°C		



1


GEV No.	300205	Ref. No.	46172 811730281
description	cam switch 5 operating positions operation switch sequence 0-1-2-3-4 shaft ø 6x4.6mm connection male faston 8-pole ambient temperature max. 318°C		

1


GEV No.	347655	Ref. No.	811730383
description	operation switch 3 operating positions 8NO 16A sequence 0-1-2 shaft ϕ 6x4.6mm shaft L 33mm connection male faston 6.3mm plastic		

encoders and potentiometers



1

GEV No.	300206	Ref. No.	58016 816810234
description	potentiometer		



1

GEV No.	300208	Ref. No.	816810291
description	potentiometer		


lamps

indicator lights

indicator lights 2-piece (lens and indicator lamp)


indicator light lenses

ϕ 8mm (type RL-2)




1

GEV No.	359819	Ref. No.	763870058
description	indicator light lens green Qty 1 pcs ϕ 8mm		



1


GEV No.	359833	Ref. No.	13720 763870059
description	indicator light lens red Qty 1 pcs ϕ 8mm		



1


GEV No.	359820	Ref. No.	763870140
description	indicator light lens yellow Qty 1 pcs ϕ 8mm		

ϕ 12mm (type SDK-3)



1


GEV No.	359277	Ref. No.	763870038
description	indicator light housings mounting measurements ϕ 12mm green Qty 1 pcs		






1



GEV No.	359278	Ref. No.	763870023 763870044
description	indicator light housings mounting measurements ϕ 12mm yellow Qty 1 pcs		

indicator lamps for socket type RL





1

GEV No.	359818	Ref. No.	13725 824610124 824610138 824610243
description	indicator light 230V clear connection male faston 6.3mm		
accessories for	359818		
	GEV No.	359820	Ref. No. 763870140
	indicator light lens yellow Qty 1 pcs ϕ 8mm		
	GEV No.	359833	Ref. No. 13720 763870059
	indicator light lens red Qty 1 pcs ϕ 8mm		
	GEV No.	359948	Ref. No. —
	indicator light lens clear Qty 1 pcs ϕ 8mm		

			
1			
GEV No.	359817	Ref. No.	24526 8246101140 8246101191 824610124 824610125 824610190 824610226 824610243 824610244 824610505
description	indicator light 230V green connection male faston 6.3mm		
accessories for	359817		
	GEV No.	359819	Ref. No. 763870058
indicator light lens green Qty 1 pcs ø 8mm			


indicator lamps for socket type SRZ / SDK / SDY / SFK


			
1			
GEV No.	359130	Ref. No.	824610038 824610536
description	indicator lamp 230V clear connection male faston 6.3mm ø 8mm		

			
1			
GEV No.	359132	Ref. No.	824610129
description	indicator lamp green 250V connection male faston 6.3mm protection IP54 ambient temperature max. 85°C		

indicator lights (complete)


ø10mm
with plug-in socket


			
1			
GEV No.	359139	Ref. No.	50168 814610691 824610596
description	indicator light ø 10mm green 230V connection male faston 6.3mm Qty 1 pcs		
For models:	ALFA135XM		

			
1			
GEV No.	359140	Ref. No.	50169 824610597
description	indicator light ø 10mm yellow 230V connection male faston 6.3mm Qty 1 pcs		
For models:	ALFA135XM		

ø13mm

with plug-in socket


			
1			
GEV No.	359936	Ref. No.	763870077
description	indicator light housings mounting measurements ø13mm green square		


			
1			
GEV No.	359940	Ref. No.	763870045
description	indicator light housings mounting measurements ø13mm orange square		

screw-on/push-on fit

light bulbs

for ovens

			
1			
GEV No.	359610	Ref. No.	20387 824610072 824610092 824610198 824610591
description	light bulb t.max. 300°C socket E14 15W 230V ø 22mm L 47mm lens L 20mm for oven lamp type Philips		

			
1			
GEV No.	359612	Ref. No.	21288 824610176 824610204
description	light bulb t.max. 300°C socket E14 25W 230V ø 25mm L 56mm lens L 30mm for oven lamp type Philips		
For models:	ALFA135XM		

halogen lamp

for socket G4 / G6.35 / G9



1

GEV No.	359946	Ref. No.	824610747
description	halogen lamp socket G9 230V 40W temp.-resist. 300°C		

fluorescent lamps

fluorescent lamps

G23



1

GEV No.	359933	Ref. No.	824610550 824610640
description	fluorescent lamp socket G23 L 237mm 11W 230V		

oven lamps

universal oven lamps

mounting diameter 35.5mm



1

GEV No.	359695	Ref. No.	20594 696050018 696050051 696050052
description	oven lamp mounting ø 35.5mm 230V 25W socket E14 temp.-resist. 300°C		



1

GEV No.	359934	Ref. No.	696050082
description	oven lamp mounting ø 35.5mm 230V 25W socket E14 temp.-resist. 300°C connection male faston 6.3mm hard glas		

55x100mm






1

GEV No.	359697	Ref. No.	51926 754131162
description	gasket		
For models:	ALFA135XM		



1

GEV No.	359696	Ref. No.	21069 696050050	
description	oven lamp complete L 100mm W 55mm 230V 25W socket E14 temp.-resist. 300°C connection male faston 6.3mm			
For models:	ALFA135XM			
spare parts for	359696			
	GEV No.	359612	Ref. No.	21288 824610176 824610204
	light bulb t.max. 300°C socket E14 25W 230V ø 25mm L 56mm lens L 30mm for oven lamp type Philips			
	GEV No.	359697	Ref. No.	51926 754131162
	gasket			
	GEV No.	359938	Ref. No.	—
	borosilicate glass L 115mm W 69mm			

lamps

light bulbs



1

GEV No.	359610	Ref. No.	20387 824610072 824610092 824610198 824610591
description	light bulb t.max. 300°C socket E14 15W 230V ø 22mm L 47mm lens L 20mm for oven lamp type Philips		



1

GEV No.	359612	Ref. No.	21288 824610176 824610204
description	light bulb t.max. 300°C socket E14 25W 230V ø 25mm L 56mm lens L 30mm for oven lamp type Philips		
For models:	ALFA135XM		

halogen lamps

for socket G4 / G6.35 / G9



1

GEV No.	359946	Ref. No.	824610747
description	halogen lamp socket G9 230V 40W temp.-resist. 300°C		



lamp accessories

sockets



1

GEV No.	359935	Ref. No.	826050153
description	lamp socket socket E14		

timers

programme timers



1

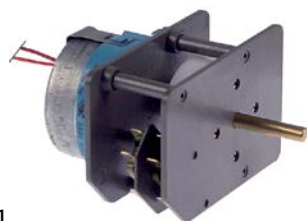
GEV No.	360361	Ref. No.	818800121
description	programme timer FIBER P04 engines 1 chambers 2 operation time 60min 230V shaft ø 6x4.6mm shaft L 20mm manuf. no. P045J02M801 motor type M51BJ0R6400		

spare parts for

GEV No.	360673	Ref. No.	—
----------------	--------	-----------------	---



motor kit pinion ø 6.8mm teeth 15 230V voltage AC 50/60Hz turn direction clockwise motor ø 48mm H 18.5mm motor type UDS-40NE1RNZ165 cable length 150mm with holder



1

GEV No.	360360	Ref. No.	818800137
description	timer FIBER P04 engines 1 chambers 2 operation time 60min 230V shaft ø 6x4.6mm shaft L 30mm manuf. no. P045J02M803 motor type M51BJ0R6400		

spare parts for

GEV No.	360673	Ref. No.	—
----------------	--------	-----------------	---



motor kit pinion ø 6.8mm teeth 15 230V voltage AC 50/60Hz turn direction clockwise motor ø 48mm H 18.5mm motor type UDS-40NE1RNZ165 cable length 150mm with holder

electric timers



1

GEV No.	350125	Ref. No.	818800147 818800181
description	timer JV101 operation time 60min time spreadmin 2CO/1NO permanent position yes impulse electric 16A shaft ø 6x4.6mm shaft L 34mm mounting distance 28mm 3-pole 230V chambers 2		



1

GEV No.	350127	Ref. No.	698800138 948800080
description	timer MI1 operation time 60min 2CO/1NO permanent position yes impulse electric 16A shaft ø 6x4.6mm shaft L 32mm mounting distance 28mm connection lateral 250V 3-pole		



1


GEV No.	350213	Ref. No.	818800190
description	timer MI1 operation time 60min time spreadmin 2CO/1NO permanent position yes impulse electric 16A shaft ø 6x4.6mm shaft L 32mm mounting distance 28mm connection lateral 250V 3-pole		






1


GEV No.	360362	Ref. No.	818800128
description	timer MS65 operation time 60min time spreadmin 2CO/1NO at 250V 16A permanent position yes impulse electric shaft ø 6x4.6mm shaft L 22mm connection rear front measurements ø78mm 3 holes 1-pole 230V		




 <p>1</p>			
GEV No.	350108	Ref. No.	23560 59213 818800079
description	timer MS65 operation time 60min time spreadmin 2CO/1NO at 250V 16A permanent position yes impulse electric shaft ø 6x4.6mm shaft L 34mm mounting distance 28mm connection lateral 3-pole		
For models:	ALFA135XM		


 <p>1</p>			
GEV No.	360363	Ref. No.	3749 900553 948800035 948800062 980081
description	timer MS65 without bell operation time 60min with buzzer 50Hz 230V		
spare parts for	360363		
	GEV No.	350108	Ref. No. 23560 59213 818800079
	timer MS65 operation time 60min time spreadmin 2CO/1NO at 250V 16A permanent position yes impulse electric shaft ø 6x4.6mm shaft L 34mm mounting distance 28mm connection lateral 3-pole		


 <p>1</p>			
GEV No.	350178	Ref. No.	948800141
description	timer DTJ 1-pole operation time 120min impulse mechanical 1NO at 250V 16A permanent position yes shaft ø 6x4.6mm shaft L 40mm mounting distance 28mm connection lateral		

 <p>1</p>			
GEV No.	350111	Ref. No.	948800080
description	timer DTJ with bell 2-pole operation time 60min impulse mechanical 1NO/1NC at 250V 16A permanent position yes shaft ø 6x4.6mm shaft L 40mm mounting distance 28mm connection lateral		

 <p>1</p>			
GEV No.	350120	Ref. No.	948800141
description	timer M11 with bell 1-pole operation time 120min impulse mechanical 1NO at 250V 16A permanent position yes shaft ø 6x4.6mm shaft L 40mm mounting distance 28mm mounting thread M4 connection male faston 6.3mm		


mechanical timers

 <p>1</p>			
GEV No.	350107	Ref. No.	66590 818600056
description	timer C20 with bell 2-pole operation time 90min impulse mechanical 1CO/1NO at 250V 16A permanent position yes shaft ø 6x4.6mm shaft L 24mm mounting distance 28mm connection rear		

 <p>1</p>			
GEV No.	350177	Ref. No.	818600029 948800078
description	timer C53 2-pole operation time 840min impulse mechanical 2NO at 250V 16A permanent position no shaft ø 6x4.6mm shaft L 35mm mounting distance 28mm connection lateral		

alarm devices

buzzer boards

 <p>1</p>			
GEV No.	350109	Ref. No.	38642 817620004 817620013
description	alarm device		
For models:	ALFA135XM		



contactors

LOVATO

power contactors



1

GEV No.	380690	Ref. No.	44860 816850208
description	power contactor resistive load 20A 230VAC (AC3/400V) 9A/4kW main contacts 2NO auxiliary contacts 2NC connection male faston type 11BGF09T2A230		
For models:	ALFA135XM		



1

GEV No.	380964	Ref. No.	816850242
description	power contactor resistive load 20A 230VAC (AC3/400V) 9A/4kW main contacts 4NO auxiliary contacts connection screw connection type 11BG09T4A230		

relays

power relays

with DIN rail mounting

lateral



1

GEV No.	380701	Ref. No.	816850187
description	power relays FINDER 230VAC 16A 2CO connection male faston 4.8mm DIN rail manuf. no. 62.32.8.230.0008		

probes

producer-specific probes

probes



1

GEV No.	378031	Ref. No.	697870047 697870109
description	temperature probe PTC 1kOhm cable glass fibre probe -50 up to +150°C cable -50 up to +350°C connection plug thread probe ø6x-100mm cable length 0.95m		



1

GEV No.	378032	Ref. No.	697870037
description	temperature probe PTC 1kOhm cable glass fibre probe -50 up to +150°C cable -50 up to +350°C connection plug thread probe ø6x-100mm cable length 0.95m		

electronics

PCBs




1

GEV No.	401598	Ref. No.	691650520
description	control PCB		



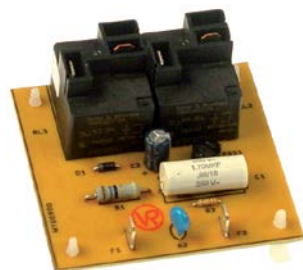
1

GEV No.	402969	Ref. No.	691650857
description	control PCB for oven L 98mm W 77mm		


1

GEV No.	401599	Ref. No.	691650523 811650495
description	control PCB with display		




1

GEV No.	401601	Ref. No.	811650155
description	PCB		




1

GEV No.	401600	Ref. No.	691650680
description	control PCB with keypad		



1

GEV No.	401605	Ref. No.	691650678 811650435
description	PCB		




1

GEV No.	401597	Ref. No.	691650242 811650365
description	display L 85mm W 38mm		

keypads

accessories




1

GEV No.	401576	Ref. No.	64445 811650472
description	main PCB		



1

GEV No.	346836	Ref. No.	58007 768550030 768550039
description	push button START black ø 21mm		



1

GEV No.	346837	Ref. No.	58009 768550031 768550040
description	push button STOP black ø 21mm		



solenoid valves

solenoid valves (water)

TP

solenoid valves with reducers



1

GEV No.	370388	Ref. No.	57674 813050142
description	solenoid valve single angled 230VAC inlet 3/4" outlet 11.5mm input 3l/min output 0.25l/min t.max. 90°C TP plastic flow regulating valve outlet red flow regulating valve inlet red		



1

GEV No.	370389	Ref. No.	44557
description	solenoid valve single angled 230VAC inlet 3/4" outlet 11.5mm input 3l/min output 0.25l/min t.max. 90°C TP plastic flow regulating valve outlet red flow regulating valve inlet red		



1

GEV No.	370394	Ref. No.	813050125 813050165
description	solenoid valve single angled 230VAC inlet 3/4" outlet 11.5mm input 3l/min output 0.25l/min t.max. 90°C TP plastic flow regulating valve outlet red flow regulating valve inlet red		



1

GEV No.	370393	Ref. No.	813050131
description	solenoid valve single straight 230VAC inlet 3/4" outlet 11.5mm input 20l/min output 0.45l/min t.max. 90°C TP plastic flow regulating valve outlet violet flow regulating valve inlet brilliant-red		

metal

solenoid valves (various)



1

GEV No.	370390	Ref. No.	23896 813050070
description	solenoid valve 230VAC connection 1/8" DN 6mm		

fans

cross flow fans

COPREL

with standard coil



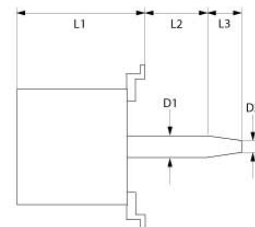
1




GEV No.	601454	Ref. No.	695210323
description	cross flow fan TFR 45 roller ø 45mm roller length 120mm motor position right 230V/50Hz 17W universal bearing silicone connection male faston 6.3mm airflow 85m³/h -30 up to +100°C 230V 50Hz		

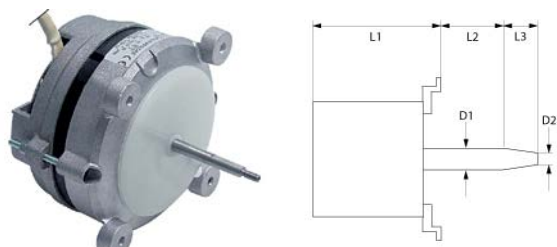
hot air motors



1




GEV No.	601362	Ref. No.	51137 795210402	
description				
For models:	ALFA135XM			
accessories for	601362			
	GEV No.	365017	Ref. No.	—
	operating capacitor capacity 5µF 450V tolerance 5% 50/60Hz ambient temperature max. -25 to +85°C ø 28mm L 54mm M8 plastic connection male faston 6.3mm 16.10.08 protection			
	GEV No.	694600	Ref. No.	44552 760570189
	bush for hot air motors ø 25mm H 10mm seat ø 8.5mm			
	GEV No.	694601	Ref. No.	44551 895092518
	spring for hot air motors ø 22mm H 18mm ID ø 19mm			

1

GEV No.	601382	Ref. No.	795210307
description			




1

GEV No.	694600	Ref. No.	44552 760570189
description	bush for hot air motors ø 25mm H 10mm seat ø 8.5mm		
For models:	ALFA135XM		




1

GEV No.	601361	Ref. No.	019290071 069290197 699290170
description	fan wheel D1 ø 160mm H1 27mm blades 12 D2 ø 6.5mm D3 ø 6.5mm H2 10mm		




1

GEV No.	601384	Ref. No.	069290070
description	fan wheel D1 ø 160mm H1 40mm blades 30 D2 ø 8mm D3 ø 8mm H2 26mm		



1

GEV No.	601363	Ref. No.	069290083 079290106 59305
description	fan wheel D1 ø 196mm H1 37mm blades 38 D2 ø 8mm D3 ø 8mm H2 29mm		
For models:	ALFA135XM		

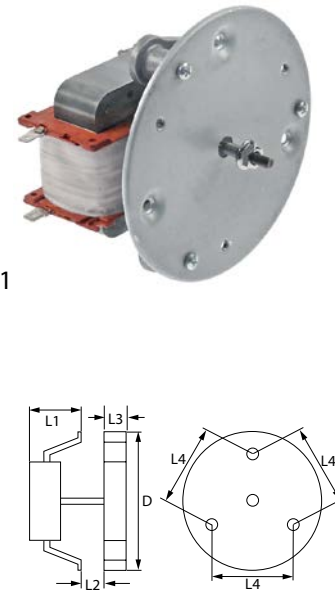


1


GEV No.	694601	Ref. No.	44551 895092518
description	spring for hot air motors ø 22mm H 18mm ID ø 19mm		
For models:	ALFA135XM		

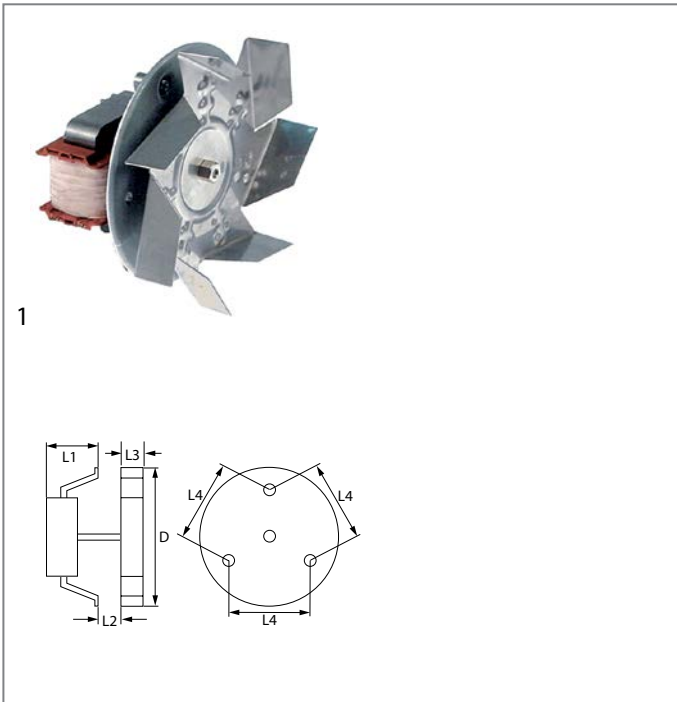
hot air fans


miscellaneous

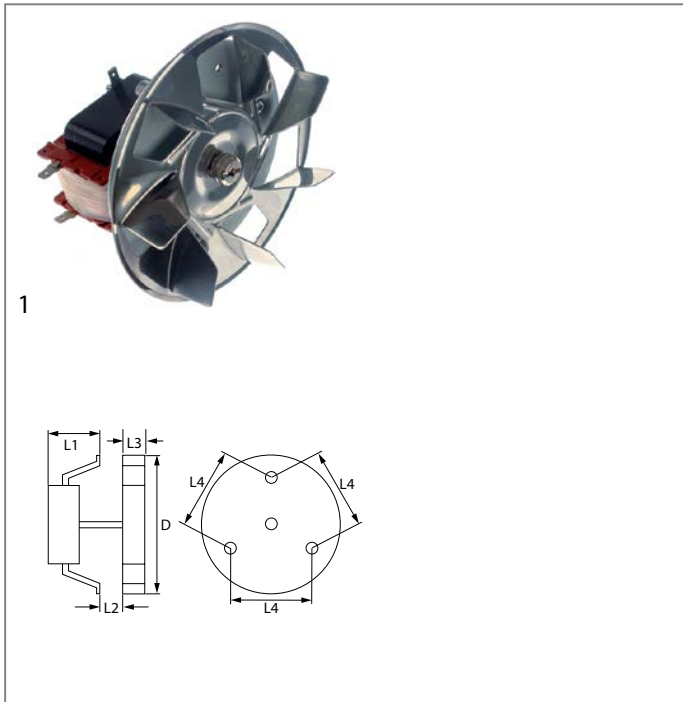


1

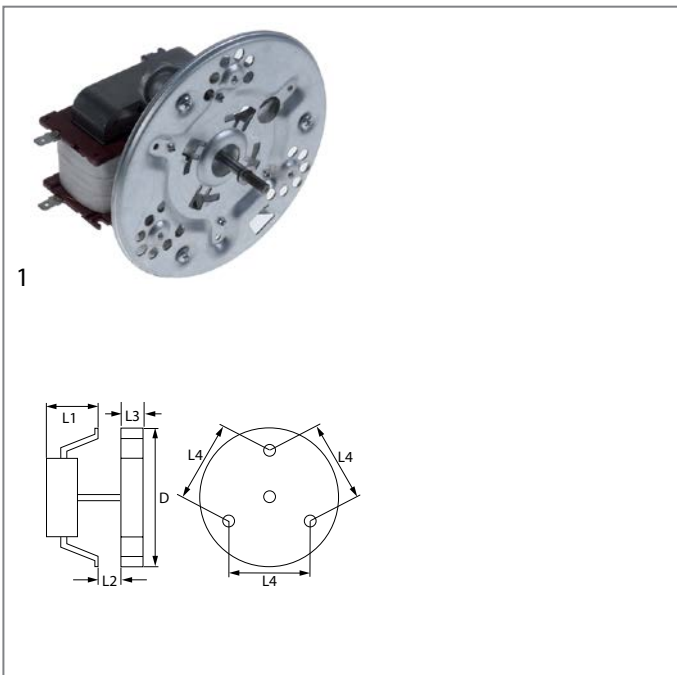
GEV No.	500902	Ref. No.	699250048
description	fan motor 220V 55W 50/60Hz L1 68mm FIME type L25R without fan wheel		
accessories for	500902		
	GEV No.	Ref. No.	550879 —
	insulation ø 130mm thickness 3mm hole ø 20mm for hot air fan		




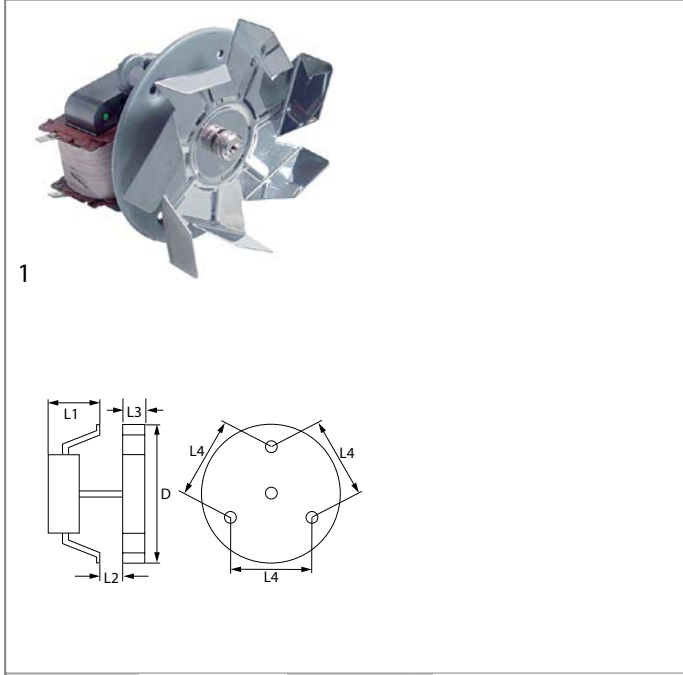
GEV No.	601054	Ref. No.	699250005 699250029
description	hot air fan 220-240V 32W 50/60Hz L1 60mm L2 10mm L3 25mm L4 87mm fan wheel ø 150mm FIME type C20X0E01/46		
accessories for	601054		
	GEV No.	550879	Ref. No. —
insulation ø 130mm thickness 3mm hole ø 20mm for hot air fan			




GEV No.	601364	Ref. No.	20874 699250017 699250028
description	hot air fan 220V 35W L1 71mm L2 10mm L3 30mm L4 87mm fan wheel ø 152mm FIME type C30R0409/1CLH		



GEV No.	500697	Ref. No.	699250108
description	hot air fan 220-240V 55W 50/60Hz L1 70mm L2 13mm L3mm L4 87mm FIME type L25R7795		
accessories for	500697		
	GEV No.	601361	Ref. No. 019290071 069290197 699290170
fan wheel D1 ø 160mm H1 27mm blades 12 D2 ø 6.5mm D3 ø 6.5mm H2 10mm			




GEV No.	601383	Ref. No.	699250031
description	hot air fan 220V 55W 50/60Hz L1 65mm L2 15mm L3 25mm L4 87mm fan wheel ø 150mm FIME type L25R7513		
accessories for	601383		
	GEV No.	550879	Ref. No. —
insulation ø 130mm thickness 3mm hole ø 20mm for hot air fan			



accessories

fan wheels for hot air fans




1

GEV No.	601200	Ref. No.	039290121 039290137 66572
description	fan wheel ø 150mm W 20mm shaft intake ø 6x5mm zinc-plated blades 7		

electric accessories


terminals

connection terminals with screw/faston connections




1

GEV No.	505212	Ref. No.	825170088
description	power terminal block 2-pole max. 20A max 600V connection ø2.5mm ² / F6.3 temp.-resist. 150°C cross section 4mm ²		



1


GEV No.	550278	Ref. No.	825170033
description	power terminal block 3-pole max. 40A max 400V connection ø6mm ² / F6.3 temp.-resist. 150°C cross section 6mm ²		



1

GEV No.	550411	Ref. No.	3092 825170029
description	power terminal block 6-pole max. 40A max 450V connection ø6mm ² / F6.3 temp.-resist. 150°C cross section 6mm ²		
For models:	ALFA135XM		


connection terminals with strain relief



1

GEV No.	550356	Ref. No.	763450077 825170162
description	power terminal block 2-pole max 450V max. 16A cable ø 15mm cross section 1.5mm ²		

various



1


GEV No.	693955	Ref. No.	825170239
description	terminal grounding cable		

ignition parts


thermocouples


threaded thermocouples

threaded thermocouples with cable link




1

GEV No.	102127	Ref. No.	948650127 948650128	
description	thermocouple with two-conductors L 600mm M6x0.75 ø 2mm			
accessories for	102127			
	GEV No.	102680	Ref. No.	—
	nut thread M6x0.75 H 2.6mm WS 8 brass Qty 1 pcs type SEF 2			



1

GEV No.	102152	Ref. No.	948650126 948650135	
description	thermocouple with two-conductors L 750mm M6x0.75 ø 2mm			
accessories for	102152			
	GEV No.	102680	Ref. No.	—
	nut thread M6x0.75 H 2.6mm WS 8 brass Qty 1 pcs type SEF 2			

equipment-specific units for convection ovens/combi-steamers

glass panels



1

GEV No.	693856	Ref. No.	66602 772531731
description	glass panel L 420mm W 352mm thickness 4mm rectangular		



1

GEV No.	693857	Ref. No.	66597 772531730
description	glass panel L 500mm W 358mm thickness 4mm rectangular		



1

GEV No.	693859	Ref. No.	61055 772531560
description	glass panel L 633mm W 395mm thickness 4mm rectangular		
For models:	ALFA135XM		



1

GEV No.	693858	Ref. No.	24529 26476 692530804 692530851
description	glass panel mounting pos. outer		



1

GEV No.	693860	Ref. No.	61053 692531559
description	glass panel mounting pos. outer		
For models:	ALFA135XM		

doors



1

GEV No.	691119	Ref. No.	692050640
description	inner door complete oven		



1

GEV No.	693973	Ref. No.	696135091
description	oven door H 310mm W 530mm outer part		



1

GEV No.	691115	Ref. No.	682050676
description	oven door H 407mm W 693mm inner part		



1

GEV No.	693974	Ref. No.	692050424
description	oven door H 405mm W 575mm inner part with disc		



1

GEV No.	693975	Ref. No.	696130744
description	oven door H 410mm W 585mm complete		



1

GEV No.	693976	Ref. No.	692530876
description	oven door H 410mm W 695mm outer part		



1

GEV No.	693979	Ref. No.	692531328
description	oven door H 440mm W 695mm outer part		



1

GEV No.	693978	Ref. No.	692050663
description	oven door H 435mm W 687mm inner part		



1


GEV No.	693980	Ref. No.	696133545
description	oven door H 665mm W 650mm complete		




1


GEV No.	693977	Ref. No.	696135208
description	oven door H 665mm W 650mm outer part		

for ovens
spare parts and accessories



1

GEV No.	693953	Ref. No.	018250313
description	fastening angle		



1

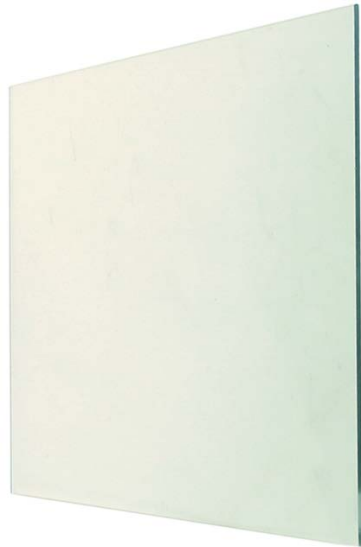
GEV No.	693954	Ref. No.	766330227
description	hand protection for handle		

glass panels



1

GEV No.	693963	Ref. No.	772530690
description	glass panel L 338mm W 168mm thickness 5mm rectangular		



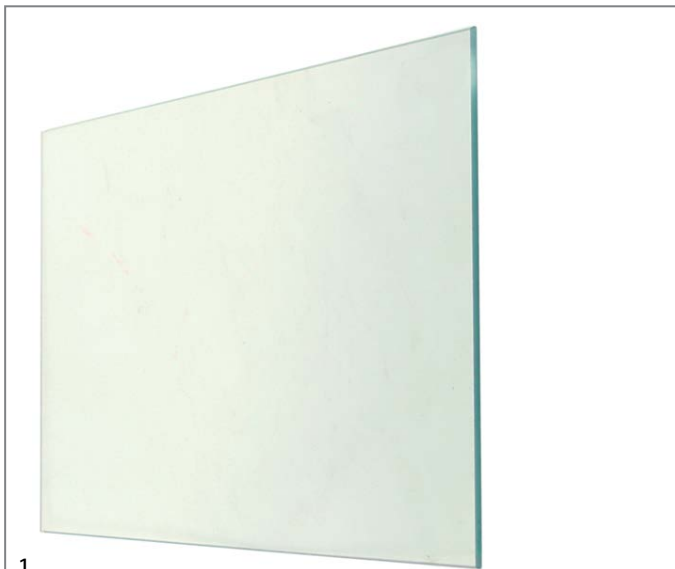
1

GEV No.	693968	Ref. No.	772530951
description	glass panel L 355mm W 290mm thickness 4mm rectangular		



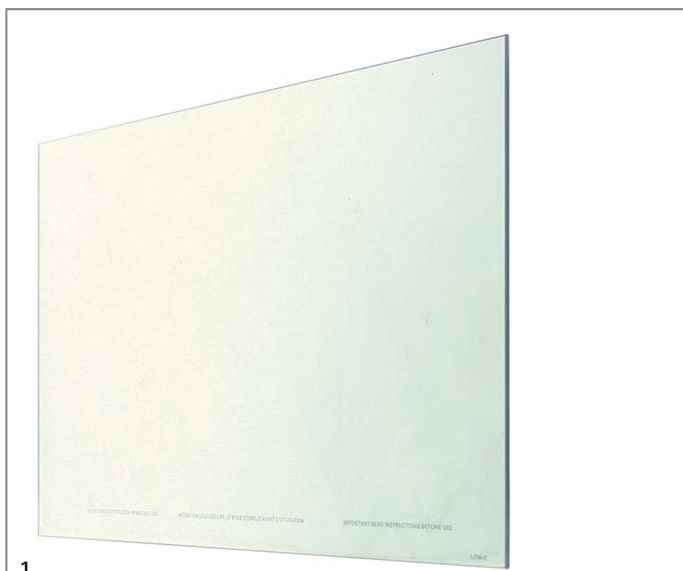
1

GEV No.	693969	Ref. No.	772530952
description	glass panel L 355mm W 290mm thickness 4mm rectangular		



1

GEV No.	693967	Ref. No.	772530783
description	glass panel L 425mm W 270mm thickness 5mm rectangular		



1

GEV No.	693966	Ref. No.	772530875
description	glass panel L 425mm W 270mm thickness 4mm rectangular		



1

GEV No.	693964	Ref. No.	772530771
description	glass panel L 425mm W 382mm thickness 4mm rectangular		



1

GEV No.	693965	Ref. No.	772530846
description	glass panel L 564mm W 275mm thickness 5mm rectangular		



1

GEV No.	693971	Ref. No.	692531228
description	glass panel L 605mm W 525mm thickness 5mm rectangular		



1

GEV No.	693970	Ref. No.	772530975
description	glass panel L 585mm W 390mm thickness 4mm rectangular		



1

GEV No.	693972	Ref. No.	692531609
description	glass panel L 644mm W 590mm thickness 4mm rectangular		


			
1			
GEV No.	694522	Ref. No.	690071340
description	glass panel L 645mm W 600mm thickness 4mm rectangular		

knobs

producer-specific knobs


SMEG

			
1			
GEV No.	112118	Ref. No.	25342 764971822
description	knob MIN/MED/MAX ø 55mm shaft ø 6x4.6mm shaft flat right with extended shaft black		


			
1			
GEV No.	112114	Ref. No.	50274 764974969
description	knob oven ø 55mm shaft ø 6x4.6mm shaft flat bottom with extended shaft black		


			
1			
GEV No.	112112	Ref. No.	25800 764971892
description	knob oven ø 55mm shaft ø 6x4.6mm shaft flat upper with extended shaft black		


			
1			
GEV No.	112149	Ref. No.	764971925
description	knob oven ø 55mm shaft ø 6x4.6mm shaft flat upper with extended shaft black		


			
1			
GEV No.	112119	Ref. No.	58017 764975209 764975375
description	knob potentiometer t.max.°C temperature range°C ø 55mm shaft ø 6x4.6mm shaft flat bottom with extended shaft		


			
1			
GEV No.	112117	Ref. No.	44562 764972663
description	knob steaming ø 55mm shaft ø 6x4.6mm shaft flat upper with extended shaft		


			
1			
GEV No.	112145	Ref. No.	764972664
description	knob switch 0-1/2-1 ø 55mm shaft ø 6x4.6mm shaft flat upper with extended shaft		


			
1			
GEV No.	112110	Ref. No.	39894 764975392 764975909
description	knob thermostat t.max. 250°C temperature range 50-250°C ø 55mm shaft ø 6x4.6mm shaft flat bottom with extended shaft rotation 270° black		


			
1			
GEV No.	112113	Ref. No.	50275 764975006
description	knob thermostat t.max. 250°C temperature range 50-250°C ø 55mm shaft ø 6x4.6mm shaft flat upper with extended shaft black		


			
1			
GEV No.	112115	Ref. No.	24527 764971804 764972581
description	knob thermostat t.max. 275°C temperature range 50-275°C ø 55mm shaft ø 6x4.6mm shaft flat upper with extended shaft black		


			
1			
GEV No.	112143	Ref. No.	764972639
description	knob thermostat t.max. 250°C temperature range 50-250°C ø 55mm shaft ø 6x4.6mm shaft flat upper with extended shaft black		


			
1			
GEV No.	112144	Ref. No.	764972371
description	knob thermostat t.max. 300°C temperature range 100-300°C ø 55mm shaft ø 6x4.6mm shaft flat upper with extended shaft black		


			
1			
GEV No.	112148	Ref. No.	764972459
description	knob thermostat t.max. 250°C temperature range 50-250°C ø 55mm shaft ø 6x4.6mm shaft flat upper with extended shaft black		

			
1			
GEV No.	112155	Ref. No.	764974566
description	knob thermostat t.max. 300°C temperature range 100-300°C ø 55mm shaft ø 6x4.6mm shaft flat upper with extended shaft black		

			
1			
GEV No.	112157	Ref. No.	764975415
description	knob thermostat t.max. 250°C temperature range 50-250°C ø 55mm shaft ø 6x4.6mm shaft flat upper with extended shaft black		

			
1			
GEV No.	112156	Ref. No.	764975016
description	knob time 120min + permanent ON ø 55mm shaft ø 6x4.6mm shaft flat bottom with extended shaft black		

			
1			
GEV No.	112111	Ref. No.	25801 764971891
description	knob thermostat t.max. 275°C temperature range 50-275°C ø 55mm shaft ø 6x4.6mm shaft flat right with extended shaft black		

			
1			
GEV No.	112158	Ref. No.	764975534
description	knob time 14h ø 55mm shaft ø 6x4.6mm shaft flat bottom with extended shaft black		



1

GEV No.	112153	Ref. No.	764971823
description	knob time 14h ø 55mm shaft ø 6x4.6mm shaft flat right with extended shaft black		



1

GEV No.	112116	Ref. No.	24528 764971805
description	knob time 60min + permanent ON ø 55mm shaft ø 6x4.6mm shaft flat bottom with extended shaft black		
For models:	ALFA135XM		



1

GEV No.	112146	Ref. No.	764972332 764975917
description	knob time 60min + permanent ON ø 55mm shaft ø 6x4.6mm shaft flat bottom with extended shaft black		



1

GEV No.	112671	Ref. No.	764975910
description	knob time 60min + permanent ON t.max.°C temperature range°C ø 55mm shaft ø 6x4.6mm shaft flat lower black		



1

GEV No.	112147	Ref. No.	764974462
description	knob time 60min + permanent ON t.max.°C temperature range°C ø 55mm shaft ø 6x4.6mm shaft flat upper with extended shaft black		



1

GEV No.	112108	Ref. No.	66592 764975458
description	knob thermostat t.max. 280°C temperature range 50-280°C ø 55mm shaft ø 6x4.6mm shaft flat upper rotation 270° black		



1

GEV No.	112109	Ref. No.	66591 764975457 764975915
description	knob time 90min + permanent ON ø 55mm shaft ø 6x4.6mm shaft flat upper black		



1

GEV No.	112151	Ref. No.	764970986
description	knob oven ø 45mm shaft ø 6x4.6mm shaft flat upper black		



1


GEV No.	110327	Ref. No.	764971537
description	knob switch zero mark ø 45mm shaft ø 6x4.6mm shaft flat upper black		





1


GEV No.	112159	Ref. No.	764970877
description	knob thermostat t.max. 250°C temperature range 50-250°C ø 45mm shaft ø 6x4.6mm shaft flat upper black		



			
1			
GEV No.	112152	Ref. No.	764971543
description	knob switch zero mark ø 40mm shaft ø 6x4.6mm shaft flat right black		

			
1			
GEV No.	112154	Ref. No.	764974555
description	knob switch zero mark ø 42mm shaft ø 6x4.6mm shaft flat upper black		

			
1			
GEV No.	112162	Ref. No.	764974870 764975149
description	knob thermostat t.max. 70°C temperature range 0-70°C ø 44mm shaft ø 6x4.6mm shaft flat lower black		

			
1			
GEV No.	112667	Ref. No.	694972606
description	knob without symbol ø 30mm shaft ø 6x4.6mm shaft flat horizontal		

handles and hand wheels

ball handles

			
1			
GEV No.	693948	Ref. No.	765930210
description	ball handle thread M4 ø 18mm stainless steel		

handle bars

handle bars

			
1			
GEV No.	693851	Ref. No.	174930427 24523
description	handle rod L 230mm ø 20mm		

			
1			
GEV No.	693852	Ref. No.	174930451 27038
description	handle rod L 280mm ø 20mm		
For models:	ALFA135XM		

			
1			
GEV No.	693959	Ref. No.	174930372
description	handle rod tube ø 16mm L 358mm		



consoles



1			
GEV No.	693850	Ref. No.	24521 27040 878411349 878411459 878414445+899370470
description	console for door handle mounting pos. left		
For models:	ALFA135XM		



1			
GEV No.	693849	Ref. No.	24520 27039 878411348 878411458 878414446+899370470
description	console for door handle mounting pos. right		
For models:	ALFA135XM		



1			
GEV No.	693951	Ref. No.	878411296
description	console for handle rod tube ø 10mm		

handle rails

handle rails



1			
GEV No.	693956	Ref. No.	764930133
description	handle rail hole distance 583mm		



1			
GEV No.	693957	Ref. No.	764930159 764930319
description	handle rail hole distance 583mm		



1			
GEV No.	693958	Ref. No.	764930327
description	handle rail hole distance 583mm		

bracket handles



1			
GEV No.	693848	Ref. No.	184931004 66600
description	pull handle L 463mm H 50mm mounting distance 450mm		



1			
GEV No.	693961	Ref. No.	184930822
description	pull handle L 540mm H 60mm mounting distance 522mm		

miscellaneous



1			
GEV No.	693949	Ref. No.	765930203
description	handle ø 20mm		

locks

snap locks

universal



1			
GEV No.	700668	Ref. No.	177690123
description	snap lock L 62mm W 16mm H 35mm mounting distance 48.5/26mm spring thickness 1mm complete with door catch nickel-plated brass		

producer-specific

SMEG

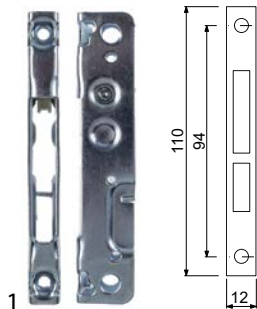


1

GEV No.	691979	Ref. No.	177690163
description	snap lock L 82mm mounting distance 35mm		

hinges

oven hinges




1

GEV No.	693045	Ref. No.	935970006
description	opposite support L 110mm W 12mm mounting distance 94mm		



1

GEV No.	701218	Ref. No.	698290898
description	opposite support mounting distance 75mm L 138mm mounting pos. right W 23mm with microswitch H 115mm cut-out 10X30mm for oven hinge		
spare parts for	701218		
	GEV No.	346863	Ref. No.
			694490661
	microswitch with lever 250V 10A 1CO ambient temperature max. 85°C		



1

GEV No.	700629	Ref. No.	61159 698290717
description	opposite support mounting distance 75mm L 95mm W 26mm left H 46mm M5 cut-out 10X30mm oven hinge		
For models:	ALFA135XM		




1

GEV No.	700633	Ref. No.	12592 685970012
description	opposite support mounting distance 94mm L 110mm mounting pos. left W 13mm with welded metal sheet H 110mm oven hinge		




1


GEV No.	700625	Ref. No.	12591 685970011
description	opposite support mounting distance 94mm L 111mm H 111mm mounting pos. right W 13mm with welded metal sheet cut-out 9/54mm oven hinge		




GEV No.	700677	Ref. No.	685970027
description	opposite support mounting distance 94mm L 91mm mounting pos. left W 14mm H 111mm for hinge		




GEV No.	700681	Ref. No.	685970024 685970043
description	opposite support mounting distance 94mm W2 21mm W 14mm right H 111mm H2 130mm oven hinge		




GEV No.	693931	Ref. No.	685970051
description	opposite support mounting distance 94mm with plate oven hinge		






GEV No.	700678	Ref. No.	685970026
description	opposite support mounting pos. right for hinge		




GEV No.	700628	Ref. No.	61160 698290716
description	opposite support right oven hinge		
For models:	ALFA135XM		





GEV No.	700671	Ref. No.	931330656	
description	oven hinge lever length 135mm spring thickness 3.6mm L 155mm right/left			
accessories for	700671			
	GEV No.	693931	Ref. No.	685970051
	opposite support mounting distance 94mm with plate oven hinge			
	GEV No.	700633	Ref. No.	12592 685970012
	opposite support mounting distance 94mm L 110mm mounting pos. left W 13mm with welded metal sheet H 110mm oven hinge			

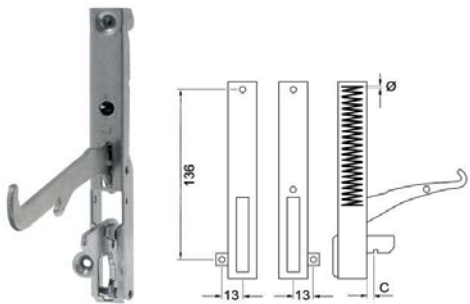


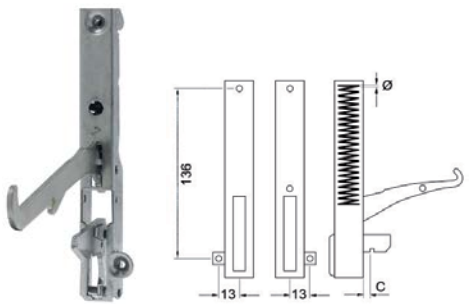
GEV No.	700630 ¹	Ref. No.	29943 3664 691330361 931330128 931330129 933970006 9742 9743	
description	oven hinge mounting distance 120mm mounting distance 2mm lug mounting 12mm lever length 120mm groove distance 12mm spring thickness 3mm mounting ear position left/right spring length 57mm W 20mm complete			
accessories for	700630			
	GEV No.	693045	Ref. No.	935970006
	opposite support L 110mm W 12mm mounting distance 94mm			

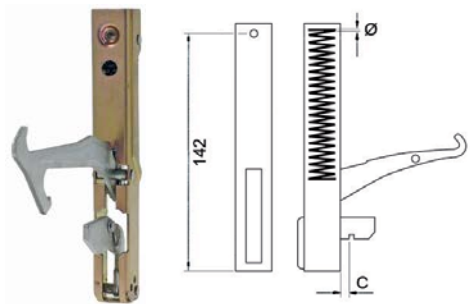



¹with opposite support

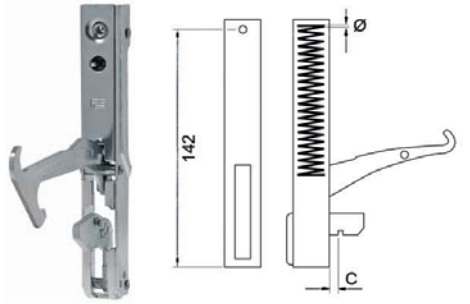


			
1			
GEV No.	700669	Ref. No.	931330807
description	oven hinge mounting distance 135mm lever length 140mm spring thickness 4.2mm L 165mm left		





			
1			
GEV No.	700670	Ref. No.	931330808
description	oven hinge mounting distance 135mm lever length 140mm spring thickness 4.2mm L 165mm right		





			
1			
GEV No.	700674	Ref. No.	931330250
description	oven hinge mounting distance 135mm mounting distance 2mm lug mounting 14mm lever length 133mm groove distance 13mm spring thickness 4mm mounting ear position left spring length 67mm W 22mm		

			
1			
GEV No.	700673	Ref. No.	931330249
description	oven hinge mounting distance 137mm lug mounting 12mm lever length 133mm groove distance 13mm spring thickness 4mm mounting ear position right spring length 67mm L 165mm W 21mm		


			
1			
GEV No.	700624	Ref. No.	36072 931330461
description	oven hinge mounting distance 142mm mounting distance 2mm lug mountingmm lever length 100mm groove distance 12mm spring thickness 3.5mm mounting ear position spring length 55mm L 155mm mounting pos. right/left W 22mm		
accessories for	700624		
	GEV No.	693045	Ref. No. 935970006
	opposite support L 110mm W 12mm mounting distance 94mm		
	GEV No.	700625	Ref. No. 12591 685970011
	opposite support mounting distance 94mm L 111mm H 111mm mounting pos. right W 13mm with welded metal sheet cut-out 9/54mm oven hinge		
	GEV No.	700633	Ref. No. 12592 685970012
	opposite support mounting distance 94mm L 110mm mounting pos. left W 13mm with welded metal sheet H 110mm oven hinge		


			
1			
GEV No.	700672	Ref. No.	931330806
description	oven hinge mounting distance 142mm mounting distance 2mm lug mountingmm lever length 98mm groove distance 12mm spring thickness 4mm mounting ear position spring length 57mm L 155mm W 23mm		
accessories for	700672		
	GEV No.	693931	Ref. No. 685970051
	opposite support mounting distance 94mm with plate oven hinge		
	GEV No.	700633	Ref. No. 12592 685970012
	opposite support mounting distance 94mm L 110mm mounting pos. left W 13mm with welded metal sheet H 110mm oven hinge		


			
1			
GEV No.	700623	Ref. No.	50501 931330805
description	oven hinge mounting distance 154mm lever length 91mm groove distance 14mm spring thickness 3mm mounting pos. left/right zinc-coated steel		
accessories for	700623		
	GEV No.	700628	Ref. No. 61160 698290716
opposite support right oven hinge			
	GEV No.	700629	Ref. No. 61159 698290717
opposite support mounting distance 75mm L 95mm W 26mm left H 46mm M5 cut-out 10X30mm oven hinge			
	GEV No.	700841	Ref. No. —
opposite support mounting distance 85mm L 107mm W 12.5mm for hinge			


			
1			
GEV No.	700627	Ref. No.	57756 931330887 931331154
description	oven hinge mounting distance 154mm mounting distance 2mm lug mountingmm lever length 79mm groove distance 14mm spring thickness 3.5mm mounting ear position spring length 54mm L 165mm mounting pos. left/right zinc-coated steel		
For models:	ALFA135XM		
accessories for	700627		
	GEV No.	700628	Ref. No. 61160 698290716
opposite support right oven hinge			
	GEV No.	700629	Ref. No. 61159 698290717
opposite support mounting distance 75mm L 95mm W 26mm left H 46mm M5 cut-out 10X30mm oven hinge			
	GEV No.	700841	Ref. No. —
opposite support mounting distance 85mm L 107mm W 12.5mm for hinge			

door bearing


			
1			
GEV No.	693944	Ref. No.	175550418
description	bolt thread M10 ø 10mm for hinge		

			
1			
GEV No.	693945	Ref. No.	071330429
description	hinge mounting ø uppermm		


			
1			
GEV No.	691116	Ref. No.	681330748 691330772
description	hinge mounting pos. lower		

			
1			
GEV No.	693946	Ref. No.	071330430
description	hinge mounting pos. lower		

accessories


base plate			
			
1			
GEV No.	693952	Ref. No.	015730360
description	base plate L 60mm W 30mm for hinge		


equipment feet and end caps


equipment feet			
with screw mounting			
			
1			
GEV No.	701080	Ref. No.	695770174 695770490
description	equipment foot tube ø 60mm thread M10 thread L 20mm H 75-110mm plastic size 2 1/3" Qty 1 pcs		





screw-in feet

 <p>1</p>			
GEV No.	691120	Ref. No.	975770098
description	equipment foot		


 <p>1</p>			
GEV No.	692187	Ref. No.	975770287
description	equipment foot thread M10 thread L 30mm ø 40mm H 40mm Qty 1 pcs		


 <p>1</p>			
GEV No.	693947	Ref. No.	975770040
description	equipment foot thread M8 thread L 15mm ø 26mm H 8mm Qty 1 pcs		

 <p>1</p>			
GEV No.	691118	Ref. No.	765770220 975770293
description	equipment foot thread M8 thread L 25mm ø 25mm H 7mm Qty 1 pcs		


 <p>1</p>			
GEV No.	701079	Ref. No.	975770151
description	equipment foot thread M8 thread L 27mm ø 39mm H 40mm Qty 1 pcs		

bolting feet

 <p>1</p>			
GEV No.	692157	Ref. No.	755770207 765770202 765770402
description	equipment foot ø 19mm H 12mm bore ø 5mm Qty 1 pcs		

 <p>1</p>			
GEV No.	701082	Ref. No.	760330044
description	equipment foot ø 60mm thread M10		


equipment feet with stem


 <p>1</p>			
GEV No.	701083	Ref. No.	755770280
description	equipment foot ø 20mm H 10mm mounting ø 8mm overall height 15mm rubber Qty 1 pcs		

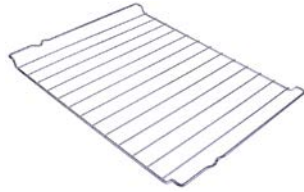
shelves and shelf rails


grates

producer-specific

 <p>1</p>			
GEV No.	693984	Ref. No.	844090459
description	grate W 360mm D 325mm chrome-plated steel for bottom heaters suitable for refrigerator for bottom heaters Smeg sizes for bottom heaters		


 <p>1</p>			
GEV No.	693987	Ref. No.	844090993 844091542
description	grate W 370mm D 310mm steel suitable for refrigerator Smeg		

 <p>1</p>			
GEV No.	693986	Ref. No.	844090739
description	grate W 440mm D 340mm chrome-plated steel suitable for refrigerator Smeg		




1			
GEV No.	693872	Ref. No.	2099 40139 844090173 844090493 844090738
description	grate W 440mm D 340mm chrome-plated steel wire gauge frame 5mm lengthwise wires gauge 2mm crossing wires 2 suitable for oven Smeg		


grid attachments



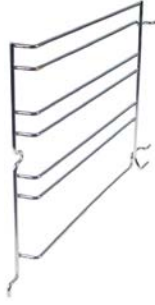
1			
GEV No.	691107	Ref. No.	848590433
description	rack support mounting pos. left		




1			
GEV No.	693862	Ref. No.	66580 848590768
description	rack support mounting pos. left		




1			
GEV No.	693864	Ref. No.	53681 848590629 848590865
description	rack support mounting pos. left		




1			
GEV No.	693866	Ref. No.	44536 848590430
description	rack support mounting pos. left		



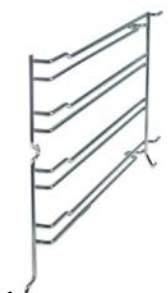
1			
GEV No.	693868	Ref. No.	15702 848590129 848590322
description	rack support mounting pos. left		



1			
GEV No.	693988	Ref. No.	844170283
description	rack support mounting pos. left		




1			
GEV No.	693990	Ref. No.	848590285
description	rack support mounting pos. left		


1

GEV No.	693994	Ref. No.	848590313
description	rack support mounting pos. left		




1

GEV No.	691110	Ref. No.	848590321
description	rack support mounting pos. right		




1

GEV No.	693996	Ref. No.	848590325
description	rack support mounting pos. left		




1

GEV No.	693861	Ref. No.	66579 848590767
description	rack support mounting pos. right		




1

GEV No.	693998	Ref. No.	848590361
description	rack support mounting pos. left		




1

GEV No.	693863	Ref. No.	53680 848590630 848590864
description	rack support mounting pos. right		




1


GEV No.	691108	Ref. No.	848590432
description	rack support mounting pos. right		





1


GEV No.	693865	Ref. No.	44535 848590431 8485960864
description	rack support mounting pos. right		

			
1			
GEV No.	693989	Ref. No.	844170284
description	rack support mounting pos. right		

			
1			
GEV No.	693999	Ref. No.	848590360
description	rack support mounting pos. right		

			
1			
GEV No.	693991	Ref. No.	848590286
description	rack support mounting pos. right		

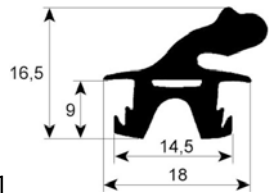
			
1			
GEV No.	693995	Ref. No.	848590312
description	rack support mounting pos. right		

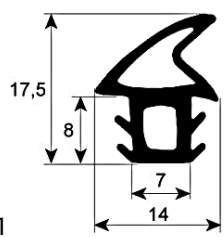
			
1			
GEV No.	693997	Ref. No.	848590326
description	rack support mounting pos. right		

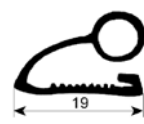
gaskets

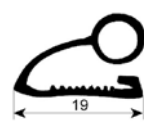
gaskets for heated units

door seals

			
1			
GEV No.	900631	Ref. No.	754131069
description	door seal profile 2443 W 565mm L 650mm external size Qty 1		

			
1			
GEV No.	900632	Ref. No.	45713 46903 754131089
description	door seal profile 2745 L 2160mm Qty 1		

			
1			
GEV No.	900635	Ref. No.	754130321
description	door seal profile 2927 L 520mm Qty 1		

			
1			
GEV No.	900634	Ref. No.	754130425
description	door seal profile 2927 L 520mm Qty 1 mounting pos. upper		



GEV No.	900633	Ref. No.	754131220
description	oven gasket profile 2990 L 265mm Qty 1		

GEV No.	900626	Ref. No.	754130243 754130244 754130427 754130476 754130786
description	window gasket L 1700mm		

door seals with fixing hook

GEV No.	901435	Ref. No.	754131883 87914
description	door seal W 450mm with 4 mounting clips H 330mm		

GEV No.	900627	Ref. No.	754130475 754131959
description	oven gasket L 320mm W 550mm external size		


GEV No.	900628	Ref. No.	754130542
description	oven gasket L 350mm W 230mm with 5 mounting clips external size		

GEV No.	900629	Ref. No.	754130785
description	oven gasket L 350mm W 280mm external size		

GEV No.	900605	Ref. No.	66593 754131445
description	oven gasket L 360mm W 280mm with 5 mounting clips external size		

GEV No.	900607	Ref. No.	34727 754130861
description	oven gasket L 430mm W 320mm external size		

GEV No.	900606	Ref. No.	18853 754130519
description	oven gasket L 430mm W 330mm external size		

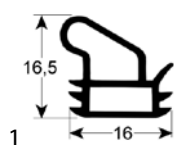


1

GEV No.	900608	Ref. No.	48365 754131105
description	oven gasket L 550mm W 330mm with 6 mounting clips external size		
For models:	ALFA135XM		

special gaskets

door seals for dishwashers



GEV No.	902203	Ref. No.	754131636 754132422
description	door seal L 560mm W 428mm 3-sided (long side open)		

kitchen accessories

gastronorm

GN containers

SS 18/10 - standard



1

GEV No.	693982	Ref. No.	060370338
description	gastronorm plate stainless steel H 20mm L 325mm W 355mm inner edges rounded size GN 2/3		

baking sheets



1

GEV No.	693869	Ref. No.	050370145 21099
description	baking sheet W 365mm L 325mm H 10mm stainless steel inner edges rounded		




1

GEV No.	693981	Ref. No.	030370439 050370252
description	baking sheet W 435mm L 320mm H 10mm steel PTFE coated inner edges rounded		



1

GEV No.	693870	Ref. No.	030370438 050370251 44528
description	baking sheet W 435mm L 320mm H 10mm zinc-plated inner edges rounded		



1

GEV No.	691114	Ref. No.	050370272
description	baking sheet W 440mm L 362mm H 10mm steel PTFE coated inner edges rounded		




1

GEV No.	693871	Ref. No.	050370086 050370277 12580
description	baking sheet W 440mm L 362mm zinc-plated inner edges rounded		

fastening material

screws


miscellaneous





1

GEV No.	693854	Ref. No.	24679 899370893
description	screw thread M5 for grid attachment		



			
1			
GEV No.	693855	Ref. No.	178412010 178414250 39882
description	screw thread M5 for grid attachment		
For models:	ALFA135XM		

			
1			
GEV No.	693950	Ref. No.	895550158
description	screw thread M5/M6 for grid attachment		

nuts			
miscellaneous			
			
1			
GEV No.	693853	Ref. No.	20516 873890148
description	nut thread M5 for grid attachment		

A			
alarm devices	17		
B			
bi-metal thermostats	7, 7		
C			
cam switches	11		
clamps	10		
contactors	18		
control thermostats	7		
cross flow fans	20		
D			
door seals	42		
door seals for dishwashers	44		
door seals with fixing hook	43		
E			
electric accessories	23		
electric timers	16		
energy regulators	6		
F			
fans	20		
fastening material	44		
fluorescent lamps	15, 15		
G			
gaskets for heated units	42		
gastronorm	44		
grates	39		
H			
halogen lamp	15		
heating elements	3		
heating elements for convection	5		
heating elements for ovens	3		
hot air fans	21		
hot air motors	20		
I			
indicator lights	13		
indicator lights (complete)	14		
L			
lamp accessories	16		
lamps	13		
light bulbs	14		
M			
mechanical timers	17		
		microswitches	10
N			
		nuts	45
O			
		oven hinges	35
		oven lamps	15
P			
		probe clips	10
		probes	18
		programme timers	16
		push/momentary push switches	10
R			
		relays	18
		rocker/momentary rocker switches	10
S			
		safety bi-metal thermostats	7
		safety thermostats	9
		screws	44
		shelves and shelf rails	39
		snap locks	34
		solenoid valves	20
		switches and momentary switches	10
		system switches	11
T			
		terminals	23
		thermocouples	23
		thermostats	7
		timers	16