



GAS COMPONENTS



ELECTRIC COMPONENTS



WATER TECHNOLOGY



MECHANICAL COMPONENTS



TOOLS

Spare parts suitable for

SARO

Find the complete and up-to-date range of products in our GEV Webshop



Manufacturer catalogue

The most important spare parts and accessories arranged clearly for every manufacturer

- ✓ Complete product range and all appliance data always up to date in the GEV Webshop
- ✓ Alphabetical Index at the end of the catalogue

GEV Webshop

www.gev-online.co.uk

www.gev-online.com

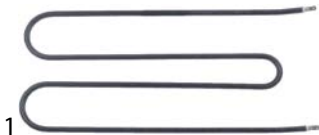


- 🔍 Add to Favourites
- 🔍 Sign In with email address and usual password
- 🔍 Easy-order – place several items in your basket at the same time
- 🔍 Quick Item search – no login needed

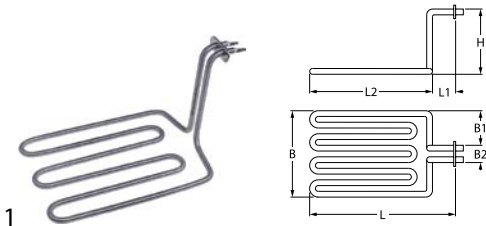


heating elements

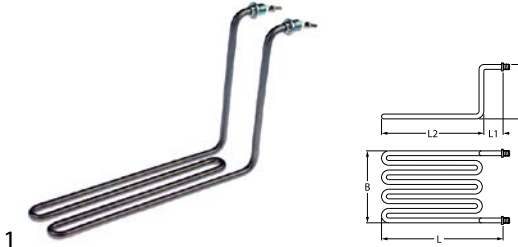





heating elements for bain maries




			
GEV No.	420070	Ref. No.	94-8095019
description	heating element 1200W 230V heating circuits 1 L 406mm L1 30mm W 140mm connection male faston 6.3mm connection distance 134mm tube ø 7mm dry heating element for bain marie L2 380mm H 15mm		


heating elements for fryers

			
GEV No.	418643	Ref. No.	172-2060 172-5016
description	heating element 3200W 230V heating circuits 1 L 290mm W 185mm H 165mm L1 35mm L2 255mm W1 78mm W2 29mm flange length 50mm flange width 22mm hole distance 40mm windings 3 tube ø 8.5mm connection length 35mm connection F 6.3 hole ø 4mm rectangular flange immersion heater		

2 hole fixing

			
GEV No.	418462	Ref. No.	172-5000
description	heating element 1250W 230V heating circuits 1 L 293mm W 69mm H 178mm L1 25mm L2 268mm thread 1/4" mounting distance 56mm tube ø 8.5mm windings 2 hole fixing connection M4 connection length 28mm immersion heater		
accessories for	418462		
	GEV No.	361182	Ref. No. —
	nut thread 1/4" H 5mm nickel-plated brass WS 17 Qty 1 pcs		
	GEV No.	510417	Ref. No. —
	flat gasket fibre ED ø 20mm ID ø 14mm thickness 2mm Qty 1 pcs		
	GEV No.	520228	Ref. No. —
	tooth lock washer ID ø 15.3mm ED ø 24mm steel Qty 1 pcs for thread M14		
	GEV No.	521103	Ref. No. —
	nut thread M4 H 3mm WS 7 brass Qty 20 pcs		
	GEV No.	521104	Ref. No. —
	washer ID ø 4.3mm ED ø 8mm thickness 0.5mm brass Qty 20 pcs for thread M4		


accessories for	418462		
	GEV No.	550262	Ref. No. —
	flat gasket copper ED ø 20mm ID ø 14mm thickness 2mm		
	GEV No.	560111	Ref. No. —
	plain washer ID ø 4.3mm ED ø 9mm thickness 0.8mm SS Qty 20 pcs DIN 125A for thread M4		
	GEV No.	560131	Ref. No. —
	hexagonal nut thread M4 H 3.2mm WS 7 SS DIN/ISO DIN 934 / ISO 4032/8673 Qty 20 pcs		

			
GEV No.	418445	Ref. No.	94-8010
description	heating element 2500W 230V heating circuits 1 L 279mm W 78mm H 178mm L1 17mm L2 262mm thread 1/4" tube ø 8.5mm windings 3 2 hole fixing connection M4 fryer		

spare parts for	418445		
	GEV No.	510417	Ref. No. —
	flat gasket fibre ED ø 20mm ID ø 14mm thickness 2mm Qty 1 pcs		
accessories for	418445		
	GEV No.	361182	Ref. No. —
	nut thread 1/4" H 5mm nickel-plated brass WS 17 Qty 1 pcs		
	GEV No.	520228	Ref. No. —
	tooth lock washer ID ø 15.3mm ED ø 24mm steel Qty 1 pcs for thread M14		
	GEV No.	521103	Ref. No. —
	nut thread M4 H 3mm WS 7 brass Qty 20 pcs		
	GEV No.	521104	Ref. No. —
	washer ID ø 4.3mm ED ø 8mm thickness 0.5mm brass Qty 20 pcs for thread M4		
	GEV No.	550262	Ref. No. —
	flat gasket copper ED ø 20mm ID ø 14mm thickness 2mm		
	GEV No.	560111	Ref. No. —
	plain washer ID ø 4.3mm ED ø 9mm thickness 0.8mm SS Qty 20 pcs DIN 125A for thread M4		
	GEV No.	560131	Ref. No. —
	hexagonal nut thread M4 H 3.2mm WS 7 SS DIN/ISO DIN 934 / ISO 4032/8673 Qty 20 pcs		




heating plates



1

GEV No.	417569	Ref. No.	S160P022
description	hot plate 58W 230V L 62mm W 43mm		


quartz heating elements




1

GEV No.	418968	Ref. No.	12-1712
description	quartz heating element 500W 240V L 460mm ø 9mm for salamander grill		

heating elements for convection




1

GEV No.	415124	Ref. No.	20-2057
description	heating element 2300W 230V heating circuits 1 ID ø 183mm ED ø 198mm L 215mm H 28mm L1 11mm W1 31mm H1 15mm H2 21mm flange length 70mm flange width 22mm hole distance 56mm connection male faston 6.3mm tube ø 6.3mm convection heating element hole ø 4mm rectangular flange		
accessories for	415124		
	GEV No.	510368	Ref. No. —
description	gasket L 70mm W 23.5mm hole ø 5mm hole distance 56mm FIBER thickness 2mm for heating element		

thermostats


bi-metal thermostats

miscellaneous



1

GEV No.	374059	Ref. No.	282-5049
description	thermostat hole distance 27mm switch-off temp.°C 10 no to be sold in FranceA 250 no to be sold in FranceV connection M4 for rice cooker		



1

GEV No.	374043	Ref. No.	282-5049
description	thermostat switch-off temp.°C 1NC 1-pole 10A 250V connection M4		

control and safety thermostats

EGO
control thermostats
55.10/19_series



1

GEV No.	375777	Ref. No.	122-2002
description	thermostat t.max. 180°C temperature range 70-180°C 1-pole 1NO 16A probe ø 6mm probe L 87mm capillary pipe 600mm capillary pipe isolated 350mm gland nut shaft ø 6x4.6mm shaft L 23mm shaft position upper rotation 270°		

55.34_series



1

GEV No.	375434	Ref. No.	122-2084
description	thermostat t.max. 180°C 3-pole 3NO 16A probe ø 6mm probe L 134mm capillary pipe 1250mm capillary pipe isolated 2050mm gland nut shaft ø 6x4.6mm shaft L 23mm shaft position upper° rotation 270°		



E-G-O



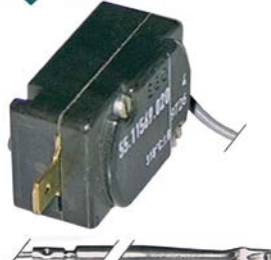
1

GEV No.	375929	Ref. No.	122-2082
description	thermostat t.max. 182°C temperature range 101-182°C 3-pole 3NO 16A probe ø 6mm probe L 133mm capillary pipe 1180mm capillary pipe isolated 1040mm gland nut shaft ø 6x4.6mm shaft L 23mm shaft position upper rotation 270°		

safety thermostats

55.11_series

E-G-O




1

GEV No.	375109	Ref. No.	34-1370
description	safety thermostat switch-off temp. 240°C 1-pole 16A probe ø 4mm probe L 91mm capillary pipe 530mm capillary pipe isolated 350mm gland nut probe SS		

switches and momentary switches

cam switches

10 operating positions




1

GEV No.	347459	Ref. No.	237-2074
description	cam switch 10 operating positions shaft ø 6x4.6mm shaft L 23mm connection male faston 6.3mm 11-pole		

rotary switches


GOTTAK



1

GEV No.	347397	Ref. No.	122-2018
description	rotary switch 2 0-1 sets of contacts 1 type 4RH 400V 16A shaft ø 6x4.6mm shaft L 18mm shaft oval connection male faston 6.3mm t.max. 105°C		

miscellaneous

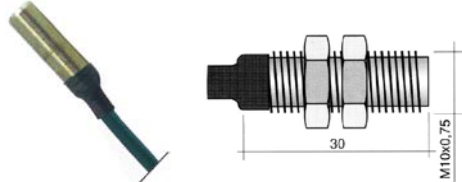


1


GEV No.	348036	Ref. No.	122-2018
description	rotary switch sets of contacts 2 2 0-1 type CH 400V 16A shaft ø 6x4.6mm shaft L 22mm connection male faston 6.3mm		

magnetic switches


M10x0.75




1

GEV No.	345632	Ref. No.	10-1595	
description	magnetic switch thread M10x0.75 1NO 250V 0.5A P max. 50W connection cable cable length 2000mm type 102			
accessories for	345632			
	GEV No.	100779	Ref. No.	—
	nut thread M10x0.75 H 3mm WS 14 SS Qty 2 pcs			

miscellaneous



1


GEV No.	347457	Ref. No.	325-5000	
description	magnetic switch 12V 0.5A P max. 6W 1CO connection coded plug L 55mm cable length 360mm L1 35mm			
accessories for	347457			
	GEV No.	347458	Ref. No.	325-5015
	magnet ø 11mm L 12.4mm H 12.4mm Wmm ID ø 6mm ED ø 11mm M5 hole ø 5.75mm			

accessories

magnets



1

GEV No.	347458	Ref. No.	325-5015
description	magnet ø 11mm L 12.4mm H 12.4mm Wmm ID ø 6mm ED ø 11mm M5 hole ø 5.75mm		
accessories for	347458		
	GEV No.	347457	Ref. No. 325-5000
description	magnetic switch 12V 0.5A P max. 6W 1CO connection coded plug L 55mm cable length 360mm L1 35mm		

lamps

indicator lights

indicator lights (complete)

ø13mm

with plug-in socket



1

GEV No.	359143	Ref. No.	122-2004
description	indicator light ø 13mm yellow 230V connection male faston 6.3mm temp.-resist. 120°C Qty 1 pcs		

timers

mechanical timers



1

GEV No.	350104	Ref. No.	122-2053
description	timer C20 2-pole operation time 15min impulse mechanical 2NO at 250V 16A permanent position no shaft ø 6x4.6mm shaft L 23mm mounting distance 28mm mounting thread M8 connection lateral		

electronics

PCBs



1

GEV No.	402954	Ref. No.	325-5006
description	control PCB ice cube maker ZB26/50 L 121mm W 73mm		

motors

gear motors

for ice-cube maker

for paddles



1

GEV No.	501535	Ref. No.	3962010
description	gear motor type 50KTYZ 6W 220-240V 50/60Hz 33/40rpm shaft ø 7mm		



1


GEV No.	499085	Ref. No.	325-5007
description	motor DEXUN type 60KTYZ 14W 220-240V voltage AC 50/60Hz 50/60rpm shaft ø 7mm L 60mm W 60mm for paddle		

for sumps



1


GEV No.	499309	Ref. No.	325-5005
description	motor DEXUN type 50KTYZ 6W 220-240V voltage AC 50/60Hz 1/1.2rpm shaft ø 7mm W 50mm for sump		

1	GEV No.	499086	Ref. No.	325-5005 Komplet
description motor DEXUN type 50KTYZ 6W 220-240V voltage AC 50/60Hz 1/1.2rpm shaft ø 7mm W 50mm for sump complete				

fuses

thermal fuses




1	GEV No.	358173	Ref. No.	S160P025
description thermal fuse switch-off temp. 216°C nominalA				

electric accessories

cables

power supply cables



1	GEV No.	551193	Ref. No.	282-5042 + 175-5087 S160P026
description power lead CEE7/7 type E+F 3-pole contacts P+N+E 1.5mm ² max. 16A max 230V 1.37m H07RN-F 3G1.50mm ² countries A/B/D/F/I				

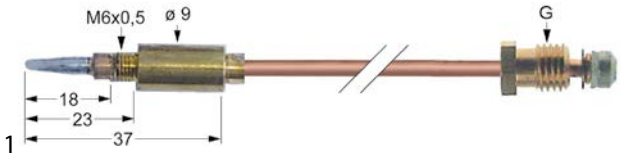
ignition parts


thermocouples

threaded thermocouples

threaded thermocouples standard

threaded thermocouples (miscellaneous)




1	GEV No.	102121	Ref. No.	237-20541
description thermocouple M8x1 L 600mm M6x0.5				
accessories for 102121				
	GEV No.	100892	Ref. No.	—
thermocouple nut thread M6x0.5 H 6.5mm WS 8 brass Qty 1 pcs				

equipment-specific units

for ice-cube maker

pan mechanics


spare parts and accessories





1	GEV No.	694552	Ref. No.	325-5023
description disc for pan tilting ø 99mm shaft length 19mm				

knobs

universal knobs




1	GEV No.	112026	Ref. No.	328-3008
description knob thermostat t.max. 270°C ø 50mm shaft ø 6x4.6mm shaft flat upper black temperature range 50-190°C rotation 270°				
accessories for 112026				
	GEV No.	110135	Ref. No.	—
rosette knob up to ø 52mm				




1	GEV No.	112121	Ref. No.	122-2009
description knob thermostat t.max. 180°C ø 48mm shaft ø 6x4.6mm shaft flat upper temperature range 70-180°C rotation 270°				

producer-specific knobs

SARO




1	GEV No.	110568	Ref. No.	122-2054
description knob switch zero mark t.max.°C°C ø 40mm shaft ø 6x4.6mm shaft flat upper black				




1

GEV No.	112121	Ref. No.	122-2009
description	knob thermostat t.max. 180°C ø 48mm shaft ø 6x4.6mm shaft flat upper temperature range 70-180°C rotation 270°		

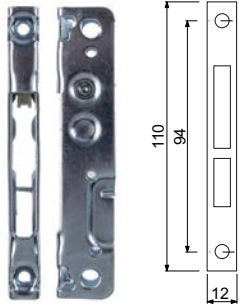


1

GEV No.	112026	Ref. No.	328-3008
description	knob thermostat t.max. 270°C ø 50mm shaft ø 6x4.6mm shaft flat upper black temperature range 50-190°C rotation 270°		
accessories for	112026		
	GEV No.	110135	Ref. No. —
	rosette knob up to ø 52mm		

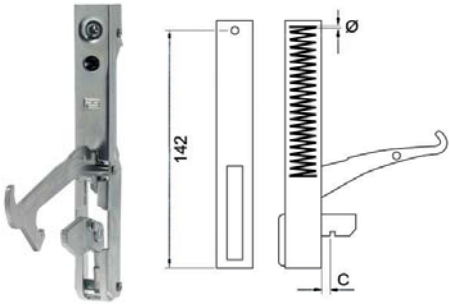
hinges

oven hinges




1

GEV No.	693045	Ref. No.	237-2008
description	opposite support L 110mm W 12mm mounting distance 94mm		



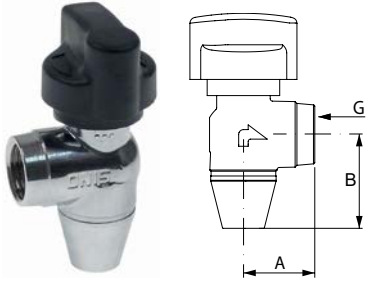
1

GEV No.	700459	Ref. No.	237-2040
description	oven hinge mounting distance 142mm mounting distance 2mm lug mountingmm lever length 117mm groove distance 7mm spring thickness 3.5mm mounting ear position spring length 58mm L 156mm W 22mm		
accessories for	700459		
	GEV No.	693045	Ref. No. 237-2008
	opposite support L 110mm W 12mm mounting distance 94mm		

fittings for catering equipment

outlet taps

universal



1

GEV No.	540747	Ref. No.	172-5008
description	outlet tap chrome-plated brass angled W 30mm H 40mm thread 1/2" IT		

baskets


fryer baskets

SARO




1

GEV No.	970485	Ref. No.	122-2006
description	fryer basket L1 245mm W1 140mm H1 100mm		




1

GEV No.	970186	Ref. No.	122-2007
description	fryer basket L1 245mm W1 220mm H1 95mm chrome-plated steel hinged handle		



1

GEV No.	970181	Ref. No.	122-2006
description	fryer basket L1 255mm W1 135mm H1 100mm chrome-plated steel hinged handle		
accessories for	970181		
	GEV No.	694989	Ref. No. —
	handle L 130mm W 35mm for fryer basket plastic		



consumables

fuses

thermal fuses



GEV No.	358173	Ref. No.	S160P025
description	thermal fuse switch-off temp. 216°C nominalA		

B			
bi-metal thermostats	4	thermocouples	7
		thermostats	4
		timers	6
C			
cables	7		
cam switches	5		
consumables	9		
control thermostats	4		
E			
electric accessories	7		
F			
fuses	7,9		
H			
heating elements	3		
heating elements for bain maries	3		
heating elements for convection	4		
heating elements for fryers	3		
heating plates	4		
I			
indicator lights	6		
indicator lights (complete)	6		
L			
lamps	6		
M			
magnetic switches	5		
mechanical timers	6		
motors	6		
O			
oven hinges	8		
P			
power supply cables	7		
Q			
quartz heating elements	4		
R			
rotary switches	5		
S			
safety thermostats	5		
switches and momentary switches	5		
T			
thermal fuses	9		