



GAS COMPONENTS



ELECTRIC COMPONENTS



WATER TECHNOLOGY



MECHANICAL COMPONENTS



TOOLS

Spare parts suitable for

ROKA

Find the complete and up-to-date range of products in our GEV Webshop



Manufacturer catalogue

The most important spare parts and accessories arranged clearly for every manufacturer

- ✓ Complete product range and all appliance data always up to date in the GEV Webshop
- ✓ Alphabetical Index at the end of the catalogue

GEV Webshop

www.gev-online.co.uk

www.gev-online.com






- 🔍 Add to Favourites
- 🔍 Sign In with email address and usual password
- 🔍 Easy-order – place several items in your basket at the same time
- 🔍 Quick Item search – no login needed









heating elements


heating elements for bain maries


| | | | |
|---|--|-----------------|---------|
|  | | | |
| GEV No. | 415323 | Ref. No. | 8900322 |
| description | heating element 1600W 230V heating circuits 1 L 383mm W 96mm flange length 45mm flange width 12mm hole distance 36mm tube ø 6.3mm cable length 290mm rectangular flange hole ø M5mm dry heating element L1 14mm L2 369mm W1 72mm W2 24mm | | |

| | | | |
|--|---|-----------------|------------------|
|  | | | |
| GEV No. | 415669 | Ref. No. | 14997 8900324 |
| description | heating element 2000W 230V heating circuits 1 L 452mm W 256mm connection male faston 6.3mm tube ø 6.3mm 2 hole fixing thread M10x1 immersion heater W1 59mm W2 138mm H 16mm mounting distance 132mm | | |
| accessories for | 415669 | | |
|  | | | |
| GEV No. | 510902 | Ref. No. | — |
| | O-ring EPDM thickness 2mm ID ø 9.5mm Qty 1 pcs | | |

| | | | |
|---|--|-----------------|------------------|
|  | | | |
| GEV No. | 415675 | Ref. No. | 14181 8900342 |
| description | heating element 2000W 230V L 250mm W 100mm connection male faston 6.3mm tube ø 8.5mm 2 hole fixing thread M14x1.5 immersion heater H 26mm mounting distance 92mm | | |

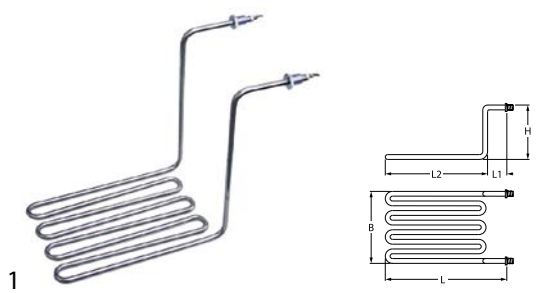
| | | | |
|---|---|-----------------|------------------|
|  | | | |
| GEV No. | 415375 | Ref. No. | 10982 8900341 |
| description | heating element 3000W 230V L 257mm W 165mm connection male faston 6.3mm tube ø 8.5mm 2 hole fixing thread M14x1.5 immersion heater H 28mm mounting distance 158mm | | |
| accessories for | 415375 | | |
|  | | | |
| GEV No. | 510417 | Ref. No. | — |
| | flat gasket fibre ED ø 20mm ID ø 14mm thickness 2mm Qty 1 pcs | | |
|  | | | |
| GEV No. | 520228 | Ref. No. | — |
| | tooth lock washer ID ø 15.3mm ED ø 24mm steel Qty 1 pcs for thread M14 | | |
|  | | | |
| GEV No. | 520230 | Ref. No. | — |
| | nut thread M14x1.5 H 5mm WS 19 zinc-coated steel Qty 1 pcs | | |
|  | | | |
| GEV No. | 521101 | Ref. No. | — |
| | nut thread M14x1.5 H 5mm WS 19 SS Qty 1 pcs | | |

| | | | |
|---|--|-----------------|---|
| accessories for | 415375 | | |
|  | | | |
| GEV No. | 550262 | Ref. No. | — |
| | flat gasket copper ED ø 20mm ID ø 14mm thickness 2mm | | |

| | | | |
|--|--|-----------------|------------------|
|  | | | |
| GEV No. | 415672 | Ref. No. | 13653 8900325 |
| description | heating element 3000W 230V L 452mm W 254mm connection 6.3 tube ø 6.3mm 2 hole fixing thread M10x1 immersion heater W1 60mm W2 136mm H 20mm mounting distance 130mm | | |

heating elements for fryers

2 hole fixing

| | | | |
|--|--|-----------------|---------------------------|
|  | | | |
| GEV No. | 415365 | Ref. No. | 8900332 8900332, 215mm |
| description | heating element 3300W 220V heating circuits 1 L 310mm W 170mm H 215mm L1 70mm L2 240mm mounting pos. outer thread M14x1.5 mounting distance 162mm tube ø 8.5mm windings 4 2 hole fixing connection male faston 6.3mm | | |

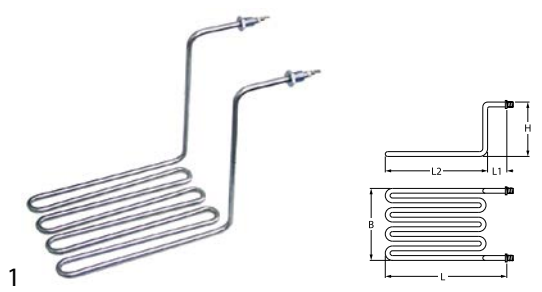





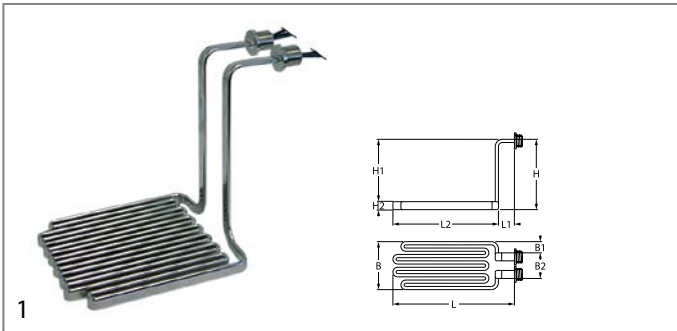
| | | | |
|--|--|-----------------|---------------------------|
|  | | | |
| GEV No. | 415366 | Ref. No. | 8900332 8900332, 235mm |
| description | heating element mounting pos. inner 3300W 220V heating circuits 1 L 325mm W 175mm H 240mm L1 82mm L2 245mm thread M14x1.5 mounting distance 156mm tube ø 8.5mm windings 4 2 hole fixing connection male faston 6.3mm connection length 35mm immersion heater | | |
| accessories for | 415366 | | |
|  | | | |
| GEV No. | 510417 | Ref. No. | — |
| | flat gasket fibre ED ø 20mm ID ø 14mm thickness 2mm Qty 1 pcs | | |
|  | | | |
| GEV No. | 520228 | Ref. No. | — |
| | tooth lock washer ID ø 15.3mm ED ø 24mm steel Qty 1 pcs for thread M14 | | |
|  | | | |
| GEV No. | 520230 | Ref. No. | — |
| | nut thread M14x1.5 H 5mm WS 19 zinc-coated steel Qty 1 pcs | | |
|  | | | |
| GEV No. | 521101 | Ref. No. | — |
| | nut thread M14x1.5 H 5mm WS 19 SS Qty 1 pcs | | |




Table continues overleaf

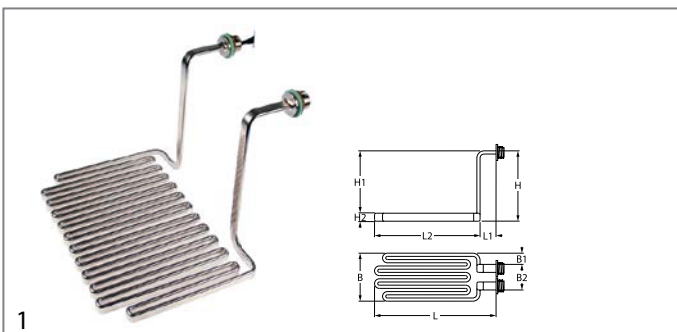


| | | | |
|---|--|--------|-------------------|
| accessories for | 415366 | | |
|  | GEV No. | 550262 | Ref. No. — |
| | flat gasket copper ED ϕ 20mm ID ϕ 14mm thickness 2mm | | |



| | | | |
|--------------------|---|-----------------|---------|
| GEV No. | 415792 | Ref. No. | 8900350 |
| description | heating element 6000W 230/400V heating circuits 3 L 290mm W 198mm H 245mm L1 65mm L2 225mm W1 62mm W2 74mm H1 228mm H2 17mm cable length 140mm 2 hole fixing thread 3/4" connection cable fryer heaters | | |

| | | | |
|--|---|--------|-------------------|
| accessories for | 415792 | | |
|  | GEV No. | 510403 | Ref. No. — |
| | flat gasket fibre ED ϕ 36.5mm ID ϕ 27mm thickness 2mm Qty 1 pcs | | |
|  | GEV No. | 510421 | Ref. No. — |
| | gasket copper ED ϕ 31.8mm ID ϕ 26.4mm thickness 2.2mm for thread 3/4" | | |
|  | GEV No. | 520234 | Ref. No. — |
| | nut thread 3/4" H 5mm brass WS 30 Qty 1 pcs | | |



| | | | |
|--------------------|--|-----------------|---------|
| GEV No. | 418237 | Ref. No. | 8900351 |
| description | heating element 9900W 400V heating circuits 3 L 326mm W 342mm H 242mm L1 68mm L2 248mm W1 65mm W2 213mm H1 225mm H2 17mm connection length 32mm cable length 135mm 2 hole fixing thread M26x1.5 mounting distance 196mm immersion heater | | |

heating elements for chargrills


| | | | |
|--------------------|--|-----------------|---------|
| GEV No. | 415676 | Ref. No. | 8900326 |
| description | heating element 400W 230V heating circuits 1 L 465mm W 8.5mm H 8.5mm dry heating element connection M4 tube ϕ 8.5mm | | |

| | | | |
|--------------------|---|-----------------|---------|
| GEV No. | 418234 | Ref. No. | 8900323 |
| description | heating element 1200W 230V heating circuits 1 L 385mm W 70mm L1 15mm W2 24mm flange length 46mm flange width 17mm hole distance 36mm connection length 55mm tube ϕ 6.5mm rectangular flange cable length 335mm thread M5 dry heating element | | |

heating elements for heated cabinets

| | | | |
|--------------------|--|-----------------|---------|
| GEV No. | 415323 | Ref. No. | 8900322 |
| description | heating element 1600W 230V heating circuits 1 L 383mm W 96mm flange length 45mm flange width 12mm hole distance 36mm tube ϕ 6.3mm cable length 290mm rectangular flange hole ϕ M5mm dry heating element L1 14mm L2 369mm W1 72mm W2 24mm | | |

heating elements for convection

| | | | |
|---|--|-----------------|-------------------|
| GEV No. | 418240 | Ref. No. | 8900327 |
| description | heating element 1300W 230V heating circuits 1 ID ϕ 194mm ED ϕ 207mm L 217mm H 28mm L1 10mm W1 31mm H1 10mm H2 19mm flange length 70mm flange width 22mm hole distance 56mm connection male faston 6.3mm connection length 37mm tube ϕ 6.3mm convection heating element hole ϕ 6.2mm rectangular flange | | |
| accessories for | 418240 | | |
|  | GEV No. | 510368 | Ref. No. — |
| | gasket L 70mm W 23.5mm hole ϕ 5mm hole distance 56mm FIBER thickness 2mm for heating element | | |

accessories

capillary tube clips

| | | | |
|--------------------|--|-----------------|---------|
| GEV No. | 550004 | Ref. No. | 8900541 |
| description | capillary tube clip for pipe ϕ 17x6mm for flat tube heating element | | |

clamps

| | | | |
|--------------------|--|-----------------|--------------------|
| GEV No. | 550043 | Ref. No. | 8900521 8999998 |
| description | probe clip for pipe ϕ 17x6mm for probe ϕ 6mm Qty 1 pcs | | |

thermostats

control and safety thermostats

EGO

control thermostats

55.13_series



| | | | |
|------------------------|---|-----------------|-------------------|
| GEV No. | 375007 | Ref. No. | 8900202 |
| description | thermostat t.max. 110°C temperature range 30-110°C 1-pole 1NO 16A probe ø 6mm probe L 113mm capillary pipe 870mm capillary pipe isolatedmm gland nut M9x1 shaft L 25mm shaft position upper rotation 270° | | |
| accessories for | 375007 | | |
| | GEV No. | 110119 | Ref. No. — |
| | knob thermostat t.max. 110°C ø 50mm shaft ø 6x4.6mm shaft flat upper black temperature range 30-110°C rotation 270° | | |
| | GEV No. | 110241 | Ref. No. — |
| | knob thermostat t.max. 110°C ø 50mm shaft ø 6x4.6mm shaft flat upper black temperature range 30-110°C | | |

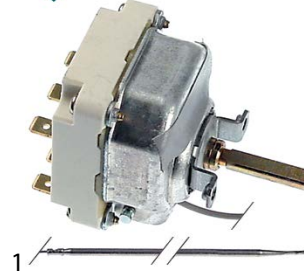


| | | | |
|------------------------|---|-----------------|-------------------|
| GEV No. | 375005 | Ref. No. | 8900203 |
| description | thermostat t.max. 85°C temperature range 30-85°C 1-pole 1NO 16A probe ø 6mm probe L 92mm capillary pipe 830mm capillary pipe isolatedmm gland nut shaft L 23mm shaft position upper rotation 270° probe material SS | | |
| accessories for | 375005 | | |
| | GEV No. | 110109 | Ref. No. — |
| | knob thermostat t.max. 85°C ø 60mm shaft ø 6x4.6mm shaft flat upper silver temperature range 30-85°C rotation 270° | | |
| | GEV No. | 110133 | Ref. No. — |
| | knob thermostat t.max. 85°C ø 50mm shaft ø 6x4.6mm shaft flat upper black temperature range 30-85°C rotation 270° | | |
| | GEV No. | 110240 | Ref. No. — |
| | knob thermostat t.max. 85°C ø 50mm shaft ø 6x4.6mm shaft flat upper black temperature range 30-85°C | | |

55.34_series



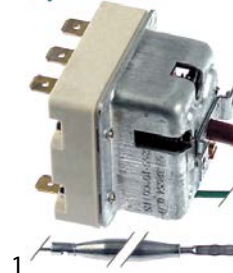
| | | | |
|--------------------|---|-----------------|---------|
| GEV No. | 375512 | Ref. No. | 8900210 |
| description | thermostat t.max. 185°C temperature range 95-185°C 3-pole 3NO 16A probe ø 6mm probe L 133mm capillary pipe 2430mm capillary pipe isolated 1100mm gland nut M9x1 shaft ø 6x4.6mm shaft L 23mm shaft position upper rotation 270° | | |



| | | | |
|--------------------|--|-----------------|---------|
| GEV No. | 375693 | Ref. No. | 8900211 |
| description | thermostat t.max. 250°C temperature range 48-250°C 3-pole 3NO 16A probe ø 3.1mm probe L 226mm capillary pipe 880mm capillary pipe isolated 850mm gland nut shaft ø 6x4.6mm shaft L 23mm shaft position upper rotation 318° | | |

safety thermostats

55.32_series



| | | | |
|--------------------|--|-----------------|---------|
| GEV No. | 375694 | Ref. No. | 8900253 |
| description | safety thermostat switch-off temp. 255°C 3-pole 20A probe ø 6mm probe L 77mm capillary pipe 1490mm capillary pipe isolated 1100mm gland nut probe SS | | |

accessories

probe clips

clamps

for thermostat



| | | | |
|--------------------|--|-----------------|--------------------|
| GEV No. | 550043 | Ref. No. | 8900521 8999998 |
| description | probe clip for pipe ø 17x6mm for probe ø 6mm Qty 1 pcs | | |

capillary tube clips



| | | | |
|--------------------|---|-----------------|---------|
| GEV No. | 550004 | Ref. No. | 8900541 |
| description | capillary tube clip for pipe ø 17x6mm for flat tube heating element | | |

switches and momentary switches

cam switches

on/off






| | | | |
|--------------------|---|-----------------|---------|
| GEV No. | 300074 | Ref. No. | 8900301 |
| description | cam switch 4 operating positions 2NO sequence 0-1-0-1 16A shaft ø 6x4.6mm shaft L 23mm connection male faston 6.3mm ceramic | | |



| | | | |
|--------------------|---|-----------------|---------|
| GEV No. | 300021 | Ref. No. | 8900302 |
| description | cam switch 4 operating positions 4NO sequence 0-1-0-1 16A shaft ø 6x4.6mm shaft L 23mm connection screw ceramic | | |

7-position





| | | | | |
|---|--|-----------------|-----------------|---|
| GEV No. | 300025 | Ref. No. | 8900220 | |
| description | cam switch 7 operating positions 1NO/2CO sequence 0-1-2-3-4-5-6 16A shaft ø 6x4.6mm shaft L 23mm connection screw 7-position ceramic | | | |
| accessories for | 300025 | | | |
|  | GEV No. | 112172 | Ref. No. | — |
| | knob universal ø 70mm black without adaptor/dial plate | | | |
|  | GEV No. | 112213 | Ref. No. | — |
| | knob dial plate silver switch 7-position t.max.°C ED ø 63mm ID ø 45.5mm | | | |
|  | GEV No. | 112311 | Ref. No. | — |
| | knob adapter shaft ø 6x4.6mm L 0mm with spring | | | |

control equipment

lamps



| | | | | |
|---|--|-----------------|-----------------|---|
| GEV No. | 359606 | Ref. No. | 8900425 | |
| description | neon light bulb socket Ba9s 220V 2W clear ø 10mm L 28mm | | | |
| accessories for | 359606 | | | |
|  | GEV No. | 359832 | Ref. No. | — |
| | lamp socket mounting measurements ø16.2mm socket Ba9s connection male faston 6.3mm | | | |
|  | GEV No. | 359853 | Ref. No. | — |
| | lamp socket mounting measurements ø18.2mm socket Ba9s connection male faston 6.3mm | | | |

lamps

indicator lights


indicator lights 3-piece (housing, lens and bulb)

ø18.2mm






| | | | |
|--------------------|--|-----------------|---------|
| GEV No. | 359855 | Ref. No. | 8900425 |
| description | indicator light housings mounting measurements ø18.2mm socket Ba9s green | | |






| | | | |
|--------------------|---|-----------------|---------|
| 1 |  | | |
| GEV No. | 359854 | Ref. No. | 8900426 |
| description | indicator light housings mounting measurements ø18.2mm socket Ba9s orange | | |


lamps
neon light bulbs

| | | | | |
|---|--|-----------------|-----------------|---|
| 1 |  | | | |
| GEV No. | 359606 | Ref. No. | 8900425 | |
| description | neon light bulb socket Ba9s 220V 2W clear ø 10mm L 28mm | | | |
| accessories for | 359606 | | | |
|  | GEV No. | 359832 | Ref. No. | — |
| | lamp socket mounting measurements ø16.2mm socket Ba9s connection male faston 6.3mm | | | |
|  | GEV No. | 359853 | Ref. No. | — |
| | lamp socket mounting measurements ø18.2mm socket Ba9s connection male faston 6.3mm | | | |


screw-on/push-on fit

| | | | | |
|---|--|-----------------|-----------------|---|
| 1 |  | | | |
| GEV No. | 359606 | Ref. No. | 8900425 | |
| description | neon light bulb socket Ba9s 220V 2W clear ø 10mm L 28mm | | | |
| accessories for | 359606 | | | |
|  | GEV No. | 359832 | Ref. No. | — |
| | lamp socket mounting measurements ø16.2mm socket Ba9s connection male faston 6.3mm | | | |
|  | GEV No. | 359853 | Ref. No. | — |
| | lamp socket mounting measurements ø18.2mm socket Ba9s connection male faston 6.3mm | | | |


contactors
ISKRA (FANAL)

| | | | |
|--------------------|--|-----------------|---------|
| 1 |  | | |
| GEV No. | 380213 | Ref. No. | 8900310 |
| description | power contactor resistive load 20A 230VAC (AC3/400V) 8.5A/5.5kW main contacts 3NO auxiliary contacts 1NO connection screw connection type Fanal DSL7 10 type ISKRA K07M 10 | | |

knobs
universal knobs

| | | | |
|--------------------|---|-----------------|---------|
| 1 |  | | |
| GEV No. | 110116 | Ref. No. | 8900435 |
| description | knob thermostat t.max. 110°C ø 60mm shaft ø 6x4.6mm shaft flat upper black temperature range 30-110°C rotation 270° | | |

producer-specific knobs

| | | | |
|--------------------|---|-----------------|---------|
| ROKA | | | |
| 1 |  | | |
| GEV No. | 110116 | Ref. No. | 8900435 |
| description | knob thermostat t.max. 110°C ø 60mm shaft ø 6x4.6mm shaft flat upper black temperature range 30-110°C rotation 270° | | |

baskets
fryer baskets

| | | | |
|--------------------|--|-----------------|---------|
| ROKA | | | |
| 1 |  | | |
| GEV No. | 970441 | Ref. No. | 8900104 |
| description | fryer basket L1 280mm W1 210mm H1 120mm | | |

shelves and shelf rails
chargrill grids

| | | | |
|--------------------|--|-----------------|---------|
| 1 |  | | |
| GEV No. | 211071 | Ref. No. | 8900580 |
| description | chargrill grid | | |

C

| | |
|----------------------|---|
| cam switches | 6 |
| capillary tube clips | 6 |
| clamps | 6 |
| contactors | 7 |
| control equipment | 6 |
| control thermostats | 5 |

H

| | |
|--------------------------------------|---|
| heating elements | 3 |
| heating elements for bain maries | 3 |
| heating elements for chargrills | 4 |
| heating elements for convection | 4 |
| heating elements for fryers | 3 |
| heating elements for heated cabinets | 4 |

I

| | |
|------------------|---|
| indicator lights | 6 |
|------------------|---|

L

| | |
|-------|---|
| lamps | 6 |
|-------|---|

N

| | |
|------------------|-----|
| neon light bulbs | 7,7 |
|------------------|-----|

P

| | |
|-------------|---|
| probe clips | 6 |
|-------------|---|

S

| | |
|---------------------------------|---|
| safety thermostats | 5 |
| shelves and shelf rails | 7 |
| switches and momentary switches | 6 |

T

| | |
|-------------|---|
| thermostats | 5 |
|-------------|---|