



GAS COMPONENTS



ELECTRIC COMPONENTS



WATER TECHNOLOGY



MECHANICAL COMPONENTS



TOOLS

Spare parts suitable for

RGV

Find the complete and up-to-date range of products in our GEV Webshop



Manufacturer catalogue

The most important spare parts and accessories arranged clearly for every manufacturer

- ✓ Complete product range and all appliance data always up to date in the GEV Webshop
- ✓ Alphabetical Index at the end of the catalogue

GEV Webshop

www.gev-online.co.uk

www.gev-online.com



- 🔍 Add to Favourites
- 🔍 Sign In with email address and usual password
- 🔍 Easy-order – place several items in your basket at the same time
- 🔍 Quick Item search – no login needed



switches and momentary switches

push/momentary push switches

30x22mm




GEV No.	345712	Ref. No.	00000000296 00000700296
----------------	--------	-----------------	----------------------------

description push switch mounting measurements 30x22mm red/green 2CO 250V 16A Stop / I connection male faston 6.3mm ambient temperature max. 85°C protection IP40 with indicator

For models: 250SCEV

accessories for 345712

	GEV No.	301127	Ref. No.	00000000285 285
protective cover internal size 30x55mm transparent				



GEV No.	345510	Ref. No.	00000000108 00000000306
----------------	--------	-----------------	----------------------------

description push switch mounting measurements 30x22mm red/green 2NO 250V 16A latching Stop / I connection male faston 6.3mm ambient temperature max. 85°C protection IP40 with indicator

ø22mm



GEV No.	301058	Ref. No.	00000000653
----------------	--------	-----------------	-------------

description protective cover internal size 30x55mm

For models: 300SCEP



GEV No.	301127	Ref. No.	00000000285
----------------	--------	-----------------	-------------

description protective cover internal size 30x55mm transparent


For models: 250SCEV




GEV No.	346181	Ref. No.	00000000651
----------------	--------	-----------------	-------------

description push button mounting ø 21mm external size 30x55mm oval

accessories for 346181

	GEV No.	301058	Ref. No.	00000000653 653
protective cover internal size 30x55mm				

accessories for	346181			
	GEV No.	301127	Ref. No.	00000000285 285
protective cover internal size 30x55mm transparent				

miscellaneous



GEV No.	601657	Ref. No.	401701
description	conversion kit 230/400V P max. 1150W		

microswitches

pin-plunger actuated

miscellaneous




GEV No.	347560	Ref. No.	00000000304
description	microswitch with plunger mounting distance 22mm thread M10 thread L 14mm 250V 12A 1NO connection male faston 6.3mm stroke 3.5mm ambient temperature max. 125°C type VRSR03AA1 actuating force: 135g		

electronics

PCBs



GEV No.	400785	Ref. No.	00000000359
description	PCB slicer 300SCEP 230V		
For models:	300SCEP		
accessories for	400785		

	GEV No.	301058	Ref. No.	00000000653 653
protective cover internal size 30x55mm				



central units



1

GEV No.	400788	Ref. No.	00000000297
description	control box for slicer 230V		
For models:	250SCEV		



1

GEV No.	403682	Ref. No.	00000001752
description	control box for slicer 230V 50Hz edition since 04/2016		



1

GEV No.	401701	Ref. No.	00000000655 00000009683
description	control box for slicer 400V		



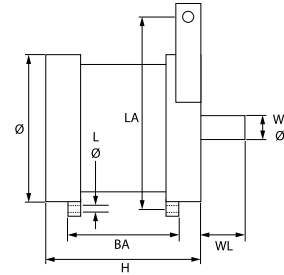
1

GEV No.	401855	Ref. No.	00000009240 00000009240 (296+297)
description	control box with pressure switch double for slicer 230V		

motors

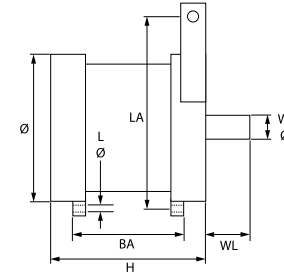
motors

for slicers



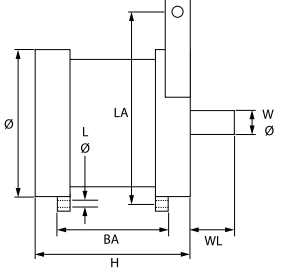
1

GEV No.	500973	Ref. No.	00000000425
description	motor 230V 1 phase 180W 50Hz 1380rpm shaft \varnothing 15mm shaft length 28mm \varnothing 115mm H 112mm mounting distance 75mm hole distance 145mm hole \varnothing 6mm type H60-425 300 ELETTRMECANICA capacitor 10 μ F		
For models:	300SCEP		



1

GEV No.	501532	Ref. No.	00000001755
description	motor 230V 1 phase 390W 50Hz 1380rpm shaft \varnothing 14.5mm shaft length 35mm \varnothing 113mm H 122mm mounting distance 80mm hole distance 150mm hole \varnothing 6mm type H70 300 edition since 04/2016 capacitor 10 μ F		



1

GEV No.	501530	Ref. No.	00000001753
description	motor 230V 1 phase 50Hz 1380rpm shaft \varnothing 15mm shaft length 25mm 195-220 edition since 04/2016		

1

GEV No.	501427	Ref. No.	00000700283
description	motor 230V 1 phase 50Hz 1380rpm shaft ø 15mm shaft length 25mm ø 115mm H 86mm mounting distance 44mm hole distance 145mm hole ø 6mm type H35-700283		

1

GEV No.	501531	Ref. No.	0000001754
description	motor 230V 1 phase 50Hz 1380rpm shaft ø 15mm shaft length 33mm 250 edition since 04/2016		

1

GEV No.	500954	Ref. No.	00000001150
description	motor 230V 1 phase 50Hz 1380rpm shaft ø 15mm shaft length 28mm ø 115mm H 112mm mounting distance 75mm hole distance 145mm hole ø 8mm type H60-1150 300 S-G ELETTROMECHANICA L 135mm W 115mm capacitor 10µF		

1

GEV No.	501434	Ref. No.	00000000423
description	motor 230V 1 phase 50Hz 1380rpm shaft ø 15mm shaft length 33mm ø 113mm H 91mm mounting distance 49mm hole distance 150mm hole ø 6mm type H40-423 ELETTROMECHANICA capacitor 8µF		

1

GEV No.	500923	Ref. No.	00000000508
description	motor 230V 1 phase 50Hz 1380rpm shaft ø 15mm shaft length 28mm ø 115mm H 87mm mounting distance 49mm hole distance 145mm hole ø 6mm type H35-508 220-250 ELETTROMECHANICA		

1

GEV No.	501433	Ref. No.	00000000681
description	motor 230V 1 phase 50Hz 1380rpm shaft ø 15mm shaft length 35mm ø 113mm H 121mm mounting distance 79mm hole distance 150mm hole ø 6mm type H70-681 ELETTROMECHANICA capacitor 10µF		

1

GEV No.	500912	Ref. No.	00000000510
description	motor 230V 1 phase 50Hz 1380rpm shaft ø 15mm shaft length 28mm ø 115mm H 92mm mounting distance 49mm hole distance 145mm hole ø 6mm type H40-510 250 ELETTROMECHANICA		
For models:	250SCEV		

1

GEV No.	500956	Ref. No.	00000000577
description	motor 230V 1 phase 50Hz 1380rpm shaft ø 17mm shaft length 27mm ø 154mm H 130mm mounting distance 98mm hole distance 170mm hole ø 10mm type 125-40/577 350 ELETTROMECHANICA		



1

GEV No.	500955	Ref. No.	00000009680
description	motor 230V 1 phase 50Hz 1380rpm type H70 ELETTRMECANICA capacitor 10µF		

pumps

booster pumps II

accessories

1

GEV No.	365015	Ref. No.	00000000633
description	operating capacitor capacity 10µF 400V tolerance 5%Hz ambient temperature max. -25 to +85°C ø 35.5mm L 59mm M8 plastic connection male faston 6.3mm protection		
For models:	300SCEP		

1

GEV No.	365012	Ref. No.	00000000149
description	operating capacitor capacity 6.3µF 450V tolerance 5% 50Hz ambient temperature max. -25 to +85°C ø 30mm L 61mm M8 plastic connection male faston 6.3mm protection		

condensators & interference suppression filters

operating capacitors

plastic

1

GEV No.	365015	Ref. No.	00000000633
description	operating capacitor capacity 10µF 400V tolerance 5%Hz ambient temperature max. -25 to +85°C ø 35.5mm L 59mm M8 plastic connection male faston 6.3mm protection		
For models:	300SCEP		

1

GEV No.	365014	Ref. No.	00000000582
description	operating capacitor capacity 12.5µF 450V tolerance 5%Hz ambient temperature max. -25 to +85°C ø 35mm L 70mm M8 plastic connection male faston 6.3mm 45S.C3DS.12.5 protection		

1

GEV No.	365012	Ref. No.	00000000149
description	operating capacitor capacity 6.3µF 450V tolerance 5% 50Hz ambient temperature max. -25 to +85°C ø 30mm L 61mm M8 plastic connection male faston 6.3mm protection		

1

GEV No.	365013	Ref. No.	00000000182
description	operating capacitor capacity 8µF 400V tolerance 5%Hz ambient temperature max. -25 to +85°C ø 31.5mm L 55mm M8 plastic connection male faston 6.3mm protection		
For models:	250SCEV		



electric accessories

cables

power supply cables

1			
GEV No.	551085	Ref. No.	00000009171
description	cable CEE7/7 type E+F 3-pole contacts P+N+E 1.5mm ² max. 16A max 230V 2m with plug H05VV-F 3G1.5		
For models:	250SCEV, 300SCEP		

1			
GEV No.	697749	Ref. No.	00000000463 00000000490 490+709956
description	blade covering ø 209mm for knife ø 250mm mounting thread M6 fixing dimensions 12x12mm aluminium		
For models:	250SCEV		

equipment-specific units

for slicers

covers

1			
GEV No.	697472	Ref. No.	00000000489old
description	blade covering ø 180mm for knife ø 220mm mounting thread M6 fixing dimensions 12x12mm aluminium		

1			
GEV No.	696528	Ref. No.	00000000489
description	blade covering ø 180mm for knife ø 220mm mounting thread M6 fixing dimensions 12x12mm cast aluminium edition since year of construction 2010		

1			
GEV No.	697447	Ref. No.	00000000195
description	blade covering ø 209mm for knife ø 250mm aperture 9x9mm aluminium 25GL Dom. /25GS Dom.		

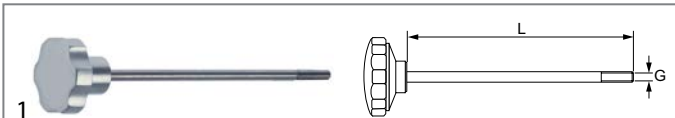
1			
GEV No.	697745	Ref. No.	00000000490+00000000777
description	blade covering ø 209mm for knife ø 250mm mounting thread M6 fixing dimensions 12x12mm with locking schrew aluminium		

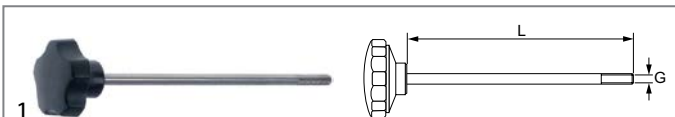
1			
GEV No.	697744	Ref. No.	00000000403
description	blade covering ø 248mm for knife ø 300mm mounting thread M6 fixing dimensions 12x12mm aluminium		
For models:	300SCEP		

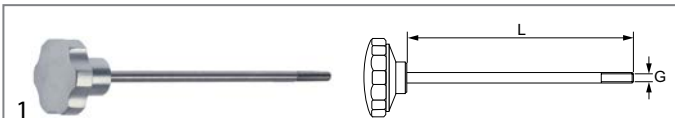
locking screws

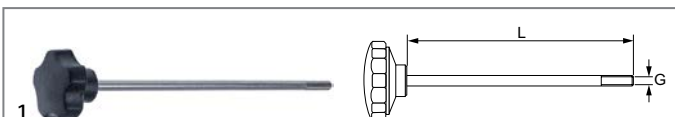
1			
GEV No.	698376	Ref. No.	00000001302 00000001302 nera 00000701302
description	locking screw thread M6 L 134mm black		

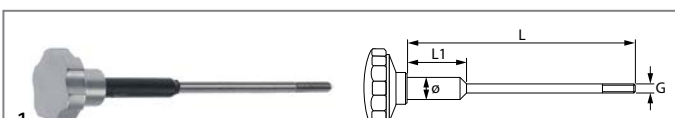
1			
GEV No.	697438	Ref. No.	00000000817
description	locking screw thread M6 L 145mm handle ø 40mm		
For models:	250SCEV		

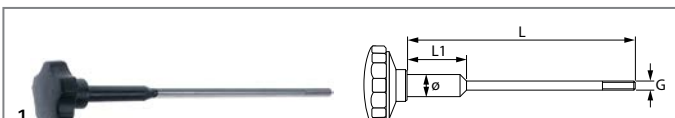
	
GEV No.	696521
Ref. No.	00000009956
description	locking screw thread M6 L 154mm handle ø 39mm for model 22/25/275/300

	
GEV No.	697439
Ref. No.	00000000777
description	locking screw thread M6 L 155mm handle ø 40mm
For models:	300SCEP


	
GEV No.	696602
Ref. No.	00000009958
description	locking screw thread M6 L 188mm handle ø 39mm for model 300/S-G, Dolly Verticale VS300

	
GEV No.	697379
Ref. No.	00000001024 00000001142
description	locking screw thread M6 L 190mm handle ø 40mm

	
GEV No.	698629
Ref. No.	00000709956
description	locking screw thread M6 L 155mm ø 10mm L1 55mm handle ø 29mm


	
GEV No.	697437
Ref. No.	00000000572
description	locking screw thread M6 L 200mm ø 10mm L1 50mm handle ø 40mm


handles

	
GEV No.	697935
Ref. No.	00000000378+00000000371 378+371
description	star handle thread M8 ø 50mm L 29mm black with thread bolt


adjustment knobs


	
GEV No.	697419
Ref. No.	00000000130 00000700130
description	adjusting knob 0-15 ø 55mm shaft ø 12mm shaft L 28mm handle ø 42mm 250
For models:	250SCEV

	
GEV No.	696522
Ref. No.	00000009503
description	adjusting knob 0-22 ø 68mm shaft ø 18mm shaft L 50mm handle ø 68mm turn direction left

	
GEV No.	698456
Ref. No.	00000000631
description	adjusting knob 0-23 ø 68mm shaft ø 18mm shaft L 67mm handle ø 68mm
For models:	300SCEP

eccentric disc for slice thickness

	
GEV No.	697470
Ref. No.	00000000830
description	eccentrics for cutting thickness hole ø 12mm groove width 6mm ED ø 52mm thickness 21.5mm

	
GEV No.	697471
Ref. No.	00000000379
description	eccentrics for cutting thickness hole ø 12mm groove width 6mm ED ø 58mm thickness 21mm
For models:	250SCEV



spring washers



1

GEV No.	697479	Ref. No.	0000000856
description	spring washer ID ø 14mm ED ø 21mm Qty 1 pcs		



1

GEV No.	697478	Ref. No.	0000000671
description	spring washer ID ø 19mm ED ø 26mm Qty 1 pcs		
For models:	300SCEP		

guiding pieces

for sliding plates



1

GEV No.	697483	Ref. No.	0000000117
description	guide 195		



1

GEV No.	697448	Ref. No.	00000009177
description	guide 220-250		



1

GEV No.	696524	Ref. No.	0000000602 00000009691 9691 696524
description	guide L 117mm W 92mm H 51mm hole ø 18mm shaft intake ø 16mm aluminium		



1

GEV No.	697477	Ref. No.	0000000126
description	connection plate L 75mm W 15mm		

for carriage



1

GEV No.	696510	Ref. No.	00000009466 9466 (GFS 1022 Metro)
description	guide 220		

bushes



1

GEV No.	698626	Ref. No.	00000000119
description	bush ED ø 18mm ID ø 16mm H 15mm		
For models:	300SCEP		



1

GEV No.	698627	Ref. No.	00000000611
description	bush ED ø 8mm ID ø 5mm H 10mm		
For models:	300SCEP		

spindles



1

GEV No.	697782	Ref. No.	00000000501
description	spindle for carriage ø 16mm L 390mm thread M8		
For models:	250SCEV		



1

GEV No.	697449	Ref. No.	00000000944
description	spindle for sliding plate ø 12mm L 160mm Lady		

housings

bottom parts



1	GEV No. 696512	Ref. No. 00000000504
description bottom plate 220		



1	GEV No. 696345	Ref. No. 00000000516
description bottom plate L 390mm W 190mm plastic 300		
For models: 250SCEV		



1	GEV No. 698393	Ref. No. 00000000701 701/A
description bottom plate L 409mm W 174mm plastic		



1	GEV No. 698275	Ref. No. 00000000768 Lusso
description bottom plate L 448mm W 200mm plastic 300		



1	GEV No. 698276	Ref. No. 00000000768 Dolly 00000000768 metro
description bottom plate L 448mm W 200mm plastic 300 METRO FRANCE		



1	GEV No. 698389	Ref. No. 00000000768
description cover L 447mm W 180mm plastic		
For models: 300SCEP		

housings



1	GEV No. 699017	Ref. No. 00000000500 (220)
description housing L 400mm W 260mm 220		



1	GEV No. 699030	Ref. No. 00000000500 (250)
description housing L 400mm W 260mm 250		

hand guard



1	GEV No. 697754	Ref. No. 00000000784
description hand protection for knife ø 300mm H 125mm W 60mm thickness 1.2mm hole ø 6.5mm mounting distance 84mm stainless steel		
For models: 300SCEP		



1	GEV No. 696511	Ref. No. 00000000197 00000000328 00000000329
description wiper for knife ø 220/250mm stainless steel		
For models: 250SCEV		





1	GEV No. 697474	Ref. No. 00000000326/3
description hand protection food holder 220 H 165mm W 250mm thickness 4mm hole ø 6.8mm mounting distance 78mm		





1	GEV No. 697473	Ref. No. 00000000326/1
description hand protection food holder 250 H 165mm W 250mm thickness 4mm hole ø 6.8mm mounting distance 90mm		




 <p>1</p>			
GEV No.	697446	Ref. No.	00000000407
description	hand protection food holder 300 H 300mm W 163mm thickness 5.4mm mounting distance 110mm		
For models:	300SCEP		


 <p>1</p>			
GEV No.	697755	Ref. No.	00000000162
description	hand protection for carriage 300 H 180mm W 152mm thickness 5mm hole ø 10mm mounting distance 110mm plastic		
For models:	300SCEP		


 <p>1</p>			
GEV No.	697826	Ref. No.	00000000924
description	hand protection for slicer		
For models:	250SCEV		





 <p>1</p>			
GEV No.	698964	Ref. No.	00000000482
description	hand protection for slicer 195-220		

accessories			
 <p>1</p>			
GEV No.	697482	Ref. No.	00000000338 00000000446
description	screw thread M5 ø 8mm L 15mm		
For models:	250SCEV, 300SCEP		

 <p>1</p>			
GEV No.	697481	Ref. No.	00000000623
description	Thumb screw thread M6 thread L 8mm ø 14mm H 6mm SS		
For models:	250SCEV, 300SCEP		


 <p>1</p>			
GEV No.	698640	Ref. No.	00000009924 9933
description	blade pulley complete with shaft shaft ø 14 shaft length 95mm mounting thread M5 3 hole fixing		


 <p>1</p>			
GEV No.	697747	Ref. No.	00000009920
description	blade pulley with spindle D1 ø 40mm D2 ø 64.3mm D3 ø 67.5mm shaft ø 14 L 33mm shaft length 152mm mounting thread M5 mounting ø 3-hole		


 <p>1</p>			
GEV No.	697746	Ref. No.	00000009469
description	blade pulley with spindle D1 ø 40mm D2 ø 76mm shaft ø 16 L 40mm shaft length 157mm mounting thread M5 mounting ø 3-hole		
For models:	300SCEP		
spare parts for	697746		
			
GEV No.	514030	Ref. No.	—
retaining ring shaft ø 20mm thickness 1.3mm steel DIN 471			
			
GEV No.	523512	Ref. No.	00000000632 632
deep-groove ball bearing type 6204-2RS shaft ø 20mm ED ø 47mm W 14mm with sealing discs deep-groove ball bearing DIN 625-1			
			
GEV No.	692029	Ref. No.	—
retaining ring bore ø 47mm thickness 1.8mm steel DIN 472			



food holders


handles


 <p>1</p>			
GEV No.	697432	Ref. No.	00000000825
description	cone handle thread M6 ø 26mm plastic L 70mm thread L 6mm		
For models:	250SCEV		

			
1			
GEV No.	111123	Ref. No.	00000000452 700452
description	handle thread M10 IT ø 30mm L 110mm D1 ø 65mm		
For models:	300SCEP		



			
1			
GEV No.	698642	Ref. No.	00000001130
description	handle thread M10 ø 59mm L 100mm aluminium		


			
1			
GEV No.	696515	Ref. No.	00000001242
description	handle thread M10x1.5 ø 34mm L 88mm food holder		
accessories for	696515		
	GEV No.	696517	Ref. No.
			00000800678 800678
	thread bolt for handle ø 12mm L 64mm thread M6/M10 stainless steel		


			
1			
GEV No.	692150	Ref. No.	00000800298+RED
description	handle thread M6 ø 25mm D1 ø 65mm L 122mm plastic red		

			
1			
GEV No.	697429	Ref. No.	00000000298 00000000298+BLACK 00000700298
description	handle thread M6 ø 25mm L 126mm with hand guard D1 ø 70mm		
For models:	250SCEV		


food holders


			
1			
GEV No.	698644	Ref. No.	00000000608 00000009608
description	food holder 300-350 L 290mm hole ø 12mm handle M10 CE		
For models:	300SCEP		
accessories for	698644		
	GEV No.	110703	Ref. No.
			00000000627 627
	cylindrical handle thread M10 ø 28mm L 87mm		

			
1			
GEV No.	697444	Ref. No.	00000009686
description	food holder 300-350 L 290mm hole ø 12mm with handle		



			
1			
GEV No.	698418	Ref. No.	00000009206 00000009878
description	food holder L 240mm hole ø 12mm handle M6 with handle		

accessories

			
1			
GEV No.	698630	Ref. No.	00000000827
description	spike food holder ø 3mm L 11.5mm		
For models:	250SCEV, 300SCEP		

			
1			
GEV No.	697480	Ref. No.	00000000151
description	stop bolt food holder ø 7.5mm L 8mm plastic		
For models:	250SCEV, 300SCEP		





 <p>1</p>			
GEV No.	696517	Ref. No.	00000800678
description	thread bolt for handle ø 12mm L 64mm thread M6/M10 stainless steel		
For models:	250SCEV		
accessories for	696517		
 <p>GEV No. 696515 Ref. No. 0000001242 1242</p>			
	handle thread M10x1.5 ø 34mm L 88mm food holder		


 <p>1</p>			
GEV No.	697385	Ref. No.	00000000636
description	slicing machine blade ED ø 300mm seat ø 40mm 3-hole ID ø 250mm H 20mm C45 standard		
For models:	300SCEP		

blades

standard

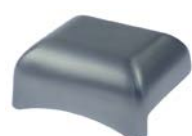
 <p>1</p>			
GEV No.	697546	Ref. No.	00000000254
description	slicing machine blade ED ø 195mm seat ø 30mm 3-hole ID ø 155mm H 12.8mm C45 standard		

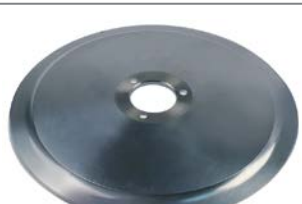
 <p>1</p>			
GEV No.	697399	Ref. No.	00000000422
description	slicing machine blade ED ø 350mm seat ø 57mm 4 hole ID ø 280mm H 22.5mm C45 standard		


 <p>1</p>			
GEV No.	697436	Ref. No.	00000000855
description	slicing machine blade ED ø 220mm seat ø 40mm 3-hole ID ø 180mm H 15.5mm C45		

sharpener units


lids

 <p>1</p>			
GEV No.	696514	Ref. No.	00000000863
description	lid for sharpener units L 116mm W 100mm mounting distance 26mm		
For models:	250SCEV		

 <p>1</p>			
GEV No.	697365	Ref. No.	00000000142
description	slicing machine blade ED ø 250mm seat ø 40mm 3-hole ID ø 210mm H 17.5mm C45 standard		
For models:	250SCEV		

 <p>1</p>			
GEV No.	698643	Ref. No.	00000000596
description	lid for sharpener units L 150mm W 120mm		
For models:	300SCEP		

holders

 <p>1</p>			
GEV No.	696493	Ref. No.	00000000771 00000009771 771+772
description	bracket for sharpener units L 60mm W 31mm H 78mm hole ø 12mm mounting thread M6 with fastening angle		
For models:	300SCEP		

knobs



1

GEV No.	697441	Ref. No.	0000000854
description	locking screw thread M5 handle ø 25mm black L 30mm		
For models:	250SCEV		



1

GEV No.	696518	Ref. No.	0000009954
description	locking screw thread M5 L 47mm handle ø 25mm silver		



1

GEV No.	697428	Ref. No.	0000000138
description	locking screw thread M6 handle ø 25mm black L 15mm		



1

GEV No.	697384	Ref. No.	0000000734
description	locking screw thread M6 handle ø 25mm black L 54mm		
For models:	300SCEP		



1

GEV No.	696523	Ref. No.	0000009510
description	locking screw thread M6 L 53mm handle ø 34mm silver		



1

GEV No.	697445	Ref. No.	0000000677
description	mushroom cap handle thread M6 handle ø 33mm L 26mm plastic black		
For models:	300SCEP		

sharpener units



1

GEV No.	697398	Ref. No.	0000009875
description	blade sharpener 220/250 edition until year of construction 2000		



1

GEV No.	697397	Ref. No.	0000009864
description	blade sharpener 220/250/275		
For models:	250SCEV		





1




GEV No.	697354	Ref. No.	0000009471
description	blade sharpener 275-300-350		








1

GEV No.	697376	Ref. No.	0000001151	
description	blade sharpener 300			
spare parts for	697376			
	GEV No.	697377	Ref. No.	0000000720
	grindstone ø 51mm thickness 12mm bore ø 8mm grained coarse without bevel			
	GEV No.	697378	Ref. No.	0000000721
	grindstone ø 51mm thickness 7mm bore ø 8mm grained fine with bevel, without hub			





 <p>1</p>			
GEV No.	697355	Ref. No.	00000009693
description	blade sharpener 350		
For models:	300SCEP		
spare parts for	697355		
	GEV No.	697377	Ref. No. 0000000720720
	grindstone ø 51mm thickness 12mm bore ø 8mm grained coarse without bevel		
	GEV No.	697378	Ref. No. 0000000721721
	grindstone ø 51mm thickness 7mm bore ø 8mm grained fine with bevel, without hub		

 <p>1</p>			
GEV No.	697420	Ref. No.	00000009168
description	blade sharpener PARKER		
spare parts for	697420		
	GEV No.	697423	Ref. No. 0000000816816
	grindstone ø 40mm thickness 8mm bore ø 6mm grained fine with bevel, with hub		
	GEV No.	697424	Ref. No. 0000000871871
	grindstone ø 40mm thickness 8mm bore ø 6mm grained coarse with bevel, with hub		
	GEV No.	697428	Ref. No. 0000000138138
	locking screw thread M6 handle ø 25mm black L 15mm		


spindles			
 <p>1</p>			
GEV No.	698633	Ref. No.	00000006670000000778
description	spindle for sharpener units ø 12mm L 95mm thread M5		

grindstones			
 <p>1</p>			
GEV No.	697378	Ref. No.	0000000721
description	grindstone ø 51mm thickness 7mm bore ø 8mm grained fine with bevel, without hub		
For models:	300SCEP		

grindstones with hub			
 <p>1</p>			
GEV No.	697424	Ref. No.	0000000871
description	grindstone ø 40mm thickness 8mm bore ø 6mm grained coarse with bevel, with hub		

 <p>1</p>			
GEV No.	697423	Ref. No.	0000000816
description	grindstone ø 40mm thickness 8mm bore ø 6mm grained fine with bevel, with hub		

 <p>1</p>			
GEV No.	697421	Ref. No.	0000000641
description	grindstone ø 45mm thickness 8mm bore ø 6mm grained coarse with bevel, with hub		
For models:	250SCEV		

 <p>1</p>			
GEV No.	697422	Ref. No.	0000000642
description	grindstone ø 45mm thickness 8mm bore ø 6mm grained fine with bevel, with hub		
For models:	250SCEV		

grindstones cup form			
 <p>1</p>			
GEV No.	697377	Ref. No.	0000000720
description	grindstone ø 51mm thickness 12mm bore ø 8mm grained coarse without bevel		
For models:	300SCEP		

carriages

handles



1

GEV No.	697380	Ref. No.	00000000432+00000000431 432+431
description	adjusting knob thread M10 handle ø 66mm black 300-330-350 L 29mm		



1

GEV No.	697442	Ref. No.	00000000676
description	cylindrical handle thread M12 ø 28mm L 30mm		
For models:	300SCEP		



1

GEV No.	697440	Ref. No.	00000000432
description	handle thread M10 handle ø 66mm H 51mm black		
For models:	300SCEP		



1

GEV No.	697381	Ref. No.	00000000629
description	handle thread M12 handle ø 66mm H 50mm black		



1

GEV No.	697427	Ref. No.	00000000881
description	locking screw thread M8 handle ø 28mm black L 22mm		



1

GEV No.	697426	Ref. No.	00000000833 old
description	locking screw thread M8 handle ø 43mm black L 22mm		



1

GEV No.	697425	Ref. No.	378+371 (old version)
description	locking screw thread M8 handle ø 50mm black 220/250/275		



1

GEV No.	696556	Ref. No.	00000000378 00000000833
description	locking screw thread M8x1.25 thread L 23mm handle ø 50mm black plastic 250		
For models:	250SCEV		



1

GEV No.	697935	Ref. No.	00000000378+00000000371 378+371
description	star handle thread M8 ø 50mm L 29mm black with thread bolt		

accessories



1


GEV No.	696516	Ref. No.	00000000186
description	bracket for carriage L 56mm aluminium		




1


GEV No.	698631	Ref. No.	00000000895
description	spindle for carriage thread M6 L 170mm ø 12mm		
For models:	250SCEV		



			
1			
GEV No.	697827	Ref. No.	0000000678
description	spindle for slicer thread M10 L 95mm thread L 12/15mm total length 122mm ø 16mm stainless steel		
For models:	300SCEP		

			
1			
GEV No.	698628	Ref. No.	0000000774
description	threaded shaft thread M6 L 37mm for slicer		
For models:	300SCEP		


miscellaneous

			
1			
GEV No.	697356	Ref. No.	0000000300
description	bracket thread M10x0.75 ø 30mm for microswitch ID ø 14.5mm thickness 13mm mounting thread M5		

for vegetable slicers

miscellaneous

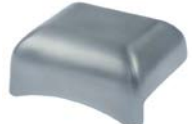
			
1			
GEV No.	110703	Ref. No.	0000000627
description	cylindrical handle thread M10 ø 28mm L 87mm		
For models:	300SCEP		

			
1			
GEV No.	697476	Ref. No.	0000000509
description	bush ø 14mm L 88mm ID ø 12mm		
For models:	250SCEV		

for cheese graters


miscellaneous


			
1			
GEV No.	110703	Ref. No.	0000000627
description	cylindrical handle thread M10 ø 28mm L 87mm		
For models:	300SCEP		

			
1			
GEV No.	698419	Ref. No.	0000000867
description	cover L 115mm W 100mm for motor plastic		
For models:	250SCEV		

for tilting bratt pans

miscellaneous

			
1			
GEV No.	523510	Ref. No.	0000000860
description	deep-groove ball bearing type 6202-2RS shaft ø 15mm ED ø 35mm W 11mm with sealing discs deep-groove ball bearing DIN 625-1		
For models:	250SCEV		


			
1			
GEV No.	698388	Ref. No.	0000000765
description	mounting flange ø 18mm L 128mm W 28mm		
For models:	300SCEP		

for rolling grills

pipes

bushes

			
1			
GEV No.	694605	Ref. No.	00000100075
description	bushing set ED ø 38mm ID ø 29mm mounting ø 32 H 4.2/6.2mm PTFE		

			
1			
GEV No.	698392	Ref. No.	0000000828
description	thread bolt thread M6 ø 6mm L 35mm for slicer		
For models:	250SCEV, 300SCEP		

handles and hand wheels

cylindrical handles

fixed



1

GEV No.	110703	Ref. No.	00000000627
description	cylindrical handle thread M10 ø 28mm L 87mm		
For models:	300SCEP		



1

GEV No.	698472	Ref. No.	00000000327
description	cylindrical handle thread M6 ø 24mm L 76mm black internal thread		
For models:	250SCEV		



1

GEV No.	697442	Ref. No.	00000000676
description	cylindrical handle thread M12 ø 28mm L 30mm		
For models:	300SCEP		

cone handles



1

GEV No.	697432	Ref. No.	00000000825
description	cone handle thread M6 ø 26mm plastic L 70mm thread L 6mm		
For models:	250SCEV		

mushroom cap handles



1

GEV No.	697445	Ref. No.	00000000677
description	mushroom cap handle thread M6 handle ø 33mm L 26mm plastic black		
For models:	300SCEP		



1

GEV No.	698641	Ref. No.	00000001111
description	mushroom cap handle thread M6 handle ø 34mm L 25mm aluminium		

equipment feet and end caps

screw-in feet



1

GEV No.	701451	Ref. No.	00000001240
description	equipment foot thread M5 thread L 13mm ø 37.5mm H 25mm conical aluminium WS Qty 1 pcs bore ø 6mm		



1

GEV No.	697770	Ref. No.	00000000628
description	equipment foot thread M8 thread L 12mm ø 47mm H 35mm Qty 1 pcs		
For models:	300SCEP		




1

GEV No.	698495	Ref. No.	00000001251
description	equipment foot thread M8 thread L 9mm ø 48mm H 43mm conical aluminium WS Qty 1 pcs		



bolting feet

 <p>1</p>			
GEV No.	697433	Ref. No.	0000000140 00000700140
description	equipment foot ø 35mm H 26mm bore ø 5mm Qty 1 pcs		
For models:	250SCEV		

gaskets

shaft gaskets


 <p>1</p>			
GEV No.	697475	Ref. No.	00000012671
description	shaft seal ID ø 20mm ED ø 30mm thickness 5mm		
For models:	250SCEV		

transmission technology and ball bearings

ball bearings

deep-groove ball bearings 2RS

 <p>1</p>			
GEV No.	523501	Ref. No.	00000000637
description	deep-groove ball bearing type 608-2RS shaft ø 8mm ED ø 22mm W 7mm with sealing discs deep-groove ball bearing DIN 625-1		
For models:	300SCEP		


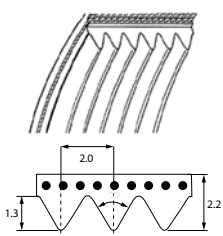
 <p>1</p>			
GEV No.	523510	Ref. No.	00000000860
description	deep-groove ball bearing type 6202-2RS shaft ø 15mm ED ø 35mm W 11mm with sealing discs deep-groove ball bearing DIN 625-1		
For models:	250SCEV		


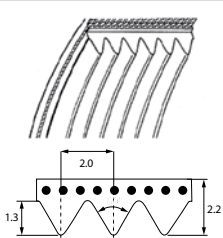
 <p>1</p>			
GEV No.	523512	Ref. No.	00000000632
description	deep-groove ball bearing type 6204-2RS shaft ø 20mm ED ø 47mm W 14mm with sealing discs deep-groove ball bearing DIN 625-1		
For models:	300SCEP		


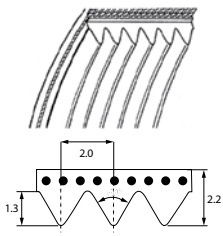
 <p>1</p>			
GEV No.	523504	Ref. No.	00000000862
description	deep-groove ball bearing type 626-2RS shaft ø 6mm ED ø 19mm W 6mm with sealing discs deep-groove ball bearing DIN 625-1		
For models:	250SCEV		

drive belts

poly-v belts

  <p>1</p>			
GEV No.	698215	Ref. No.	00000000635
description	poly-v belt grooves 10 W 20mm L 400mm profile TB2		
For models:	300SCEP		

  <p>1</p>			
GEV No.	698216	Ref. No.	00000001026
description	poly-v belt grooves 10 W 20mm L 480mm profile TB2		

  <p>1</p>			
GEV No.	698213	Ref. No.	00000000573
description	poly-v belt grooves 11 W 22mm L 430mm profile TB2		

1

GEV No.	698963	Ref. No.	00000000492
description	poly-v belt grooves 5 W 10mm L 310mm profile TB2		

1

GEV No.	698217	Ref. No.	00000000861
description	poly-v belt grooves 7 W 14mm L 330mm profile TB2		
For models:	250SCEV		

fastening material

screws

side bolts

1

GEV No.	560551	Ref. No.	00000000615
description	side bolts thread M10 L 15mm SS Qty 1 pcs intake slotted head ø 24.5mm		
For models:	300SCEP		

knurled screws

1

GEV No.	697481	Ref. No.	00000000623
description	Thumb screw thread M6 thread L 8mm ø 14mm H 6mm SS		
For models:	250SCEV, 300SCEP		

washers

spring washers

1

GEV No.	697479	Ref. No.	00000000856
description	spring washer ID ø 14mm ED ø 21mm Qty 1 pcs		

1

GEV No.	697478	Ref. No.	00000000671
description	spring washer ID ø 19mm ED ø 26mm Qty 1 pcs		
For models:	300SCEP		

B

booster pumps II 6

C

cables 7

condensators & interference suppression filters 6

E

electric accessories 7

F

fastening material 20

K

knurled screws 20

M

microswitches 3

motors 4

O

operating capacitors 6

P

power supply cables 7

pumps 6

push/momentary push switches 3

S

screws 20

shaft gaskets 19

side bolts 20

spring washers 20

switches and momentary switches 3