



**GAS COMPONENTS**



**ELECTRIC COMPONENTS**



**WATER TECHNOLOGY**



**MECHANICAL COMPONENTS**



**TOOLS**

Spare parts suitable for

**OMAS**

Find the complete and up-to-date range of products in our GEV Webshop



# Manufacturer catalogue

The most important spare parts and accessories arranged clearly for every manufacturer

- ✓ Complete product range and all appliance data always up to date in the GEV Webshop
- ✓ Alphabetical Index at the end of the catalogue

## GEV Webshop

[www.gev-online.co.uk](http://www.gev-online.co.uk)

[www.gev-online.com](http://www.gev-online.com)



- 🔍 Add to Favourites
- 🔍 Sign In with email address and usual password
- 🔍 Easy-order – place several items in your basket at the same time
- 🔍 Quick Item search – no login needed



## switches and momentary switches

### rocker/momentary rocker switches

#### 28x22mm



<b>GEV No.</b>	348161	<b>Ref. No.</b>	I3635
<b>description</b>	rocker switch mounting measurements 28x22mm orange 2NO 110V 16A illuminated 0-1 connection male faston 6.3mm ambient temperature max. 55°C		




<b>GEV No.</b>	348115 <sup>1</sup>	<b>Ref. No.</b>	I3616
<b>description</b>	rocker switch mounting measurements 28x22mm white 2NO 250V 16A illuminated 0-1 connection male faston 6.3mm ambient temperature max. 55°C		

<sup>1</sup>illuminated

#### 30x22mm

##### labelled






<b>GEV No.</b>	301006	<b>Ref. No.</b>	I3736
<b>description</b>	rocker switch mounting measurements 30x22mm orange 2NO 250V 16A illuminated connection male faston 6.3mm ambient temperature max. 125/55°C protection IP65 with cover cap		
<b>accessories for</b>	301006		
	<b>GEV No.</b>	301036	<b>Ref. No.</b> —
	protective cover internal size 30x22mm for rocker switch mounting measurementsmm		

### push/momentary push switches

#### 30x22mm



<b>GEV No.</b>	346052	<b>Ref. No.</b>	I3701
<b>description</b>	push switch mounting measurements 30x22mm black/green 2CO 250V 16A illuminated connection male faston 6.3mm ambient temperature max. 125/55°C protection IP65		
<b>accessories for</b>	346052		
	<b>GEV No.</b>	400797	<b>Ref. No.</b> C8239 S3226 S3319
	PCB for slicer 230V		

	<b>GEV No.</b>	345712	<b>Ref. No.</b>	I3735
<b>description</b>	push switch mounting measurements 30x22mm red/green 2CO 250V 16A Stop / I connection male faston 6.3mm ambient temperature max. 85°C protection IP40 with indicator			
<b>accessories for</b>	345712			
	<b>GEV No.</b>	301127	<b>Ref. No.</b>	—
	protective cover internal size 30x55mm transparent			

#### 2 hole fixing



<b>GEV No.</b>	348122	<b>Ref. No.</b>	P9501
<b>description</b>	push switch green/red 230V connection cable 1800mm		

#### miscellaneous



<b>GEV No.</b>	347301	<b>Ref. No.</b>	I3704
<b>description</b>	switch combination mounting measurements 51x28mm red/green 1NO/NO 250V 16A momentary connection male faston 6.3mm ambient temperature max. 85°C protection IP40		



<b>GEV No.</b>	347299	<b>Ref. No.</b>	I3705
<b>description</b>	switch combination mounting measurements 77x28mm green/white/red 1NO/indicator light/1NO 250V 16A momentary connection male faston 6.3mm ambient temperature max. 125/55°C protection IP40		




## microswitches

## universal



1

<b>GEV No.</b>	345042	<b>Ref. No.</b>	I3651
<b>description</b>	microswitch with plunger 250V 16A 1CO connection male faston 6.3mm L 28mm ambient temperature max. 125°C mounting distance 22mm type EF83161.3 actuating force: 75g blue/black		
<b>accessories for</b>	345042		
	<b>GEV No.</b>	345043	<b>Ref. No.</b> —
	lever set 5-piece		

## pin-plunger actuated




1

<b>GEV No.</b>	348150	<b>Ref. No.</b>	I3719
<b>description</b>	microswitch 250V 16A 1NO/1NC connection F6.3 L 42mm L1 31mm mounting distance 22mm		




1

<b>GEV No.</b>	345042	<b>Ref. No.</b>	I3651
<b>description</b>	microswitch with plunger 250V 16A 1CO connection male faston 6.3mm L 28mm ambient temperature max. 125°C mounting distance 22mm type EF83161.3 actuating force: 75g blue/black		
<b>accessories for</b>	345042		
	<b>GEV No.</b>	345043	<b>Ref. No.</b> —
	lever set 5-piece		

## M10



1

<b>GEV No.</b>	347482	<b>Ref. No.</b>	N/A
<b>description</b>	microswitch with plunger thread M10x0.75 thread L 14mm 250V 16A 1CO connection male faston 6.3mm stroke 3mm mounting distance 22mm ambient temperature max. 125°C type MS-385 actuating force: 250g		
<b>spare parts for</b>	347482		
	<b>GEV No.</b>	100779	<b>Ref. No.</b> —
	nut thread M10x0.75 H 3mm WS 14 SS Qty 2 pcs		

## rotary switches

## BREMAS

## A1200 series



1

<b>GEV No.</b>	348155	<b>Ref. No.</b>	I3632
<b>description</b>	rotary switch sets of contacts 6 3 1-0-2 type CA0120670V 400V 12A shaft ø 5x5mm shaft L 18mm shaft square connection screw		

## magnetic switches

## ø 4mm



1

<b>GEV No.</b>	347049	<b>Ref. No.</b>	I3647
<b>description</b>	magnetic switch 24V 0.5A P max. 12W probe L 20mm 1NO		

## M10x0.75



1

<b>GEV No.</b>	348102	<b>Ref. No.</b>	I3730
<b>description</b>	magnetic switch thread M10x0.75 1NO 250V 0.04A P max. 10W connection 2-wire cable length 1500mm		

## control equipment

## ERSCE



1

<b>GEV No.</b>	345989	<b>Ref. No.</b>	I3703
<b>description</b>	contact block ERSCE C01B 1NC max 230V 10(4)A red		



## contactors

ABB

power contactors



1

<b>GEV No.</b>	380100	<b>Ref. No.</b>	R2043
<b>description</b>	power contactor resistive load 20A 230VAC (AC3/400V) 12A/5.5kW main contacts 3NO auxiliary contacts 1NO connection screw connection type B6-30-10 / B7-30-10		



1

<b>GEV No.</b>	380097	<b>Ref. No.</b>	R2044
<b>description</b>	power contactor resistive load 20A 24VAC (AC3/400V) 12A/5.5kW main contacts 3NO auxiliary contacts 1NO connection soldering connection type B6-30-10P / B7-30-10P		



1

<b>GEV No.</b>	380110	<b>Ref. No.</b>	R2042
<b>description</b>	power contactor resistive load 20A 400VAC (AC3/400V) 12A/5.5kW main contacts 3NO auxiliary contacts 1NO connection screw connection type B6-30-10 / B7-30-10		

## relays


power relays

with male contacts

bullet connectors, 11 contacts



1

<b>GEV No.</b>	380133	<b>Ref. No.</b>	R2020	
<b>description</b>	power relays 24VAC 10A 3CO connection plug-in connection round 11-pole 250V 11-pole			
<b>accessories for</b>	380133			
	<b>GEV No.</b>	380136	<b>Ref. No.</b>	—
	relay socket 11-pole connection plug-in connection round 11-pole dimensions 65x28x40mm 250V voltage AC 10A Italiana Relè manuf. no. ZVE11			

plug-in/print relays



1

<b>GEV No.</b>	381108	<b>Ref. No.</b>	R2019
<b>description</b>	print relay 24VAC 3CO at 250V 10A connection soldering connection raster size 9mm manuf. no. 60.43.8.024.0000		

## probes

Hall sensors



1

<b>GEV No.</b>	402487	<b>Ref. No.</b>	I3646
<b>description</b>	Hall sensor double L 22mm W 10mm cable length 500mm		



1

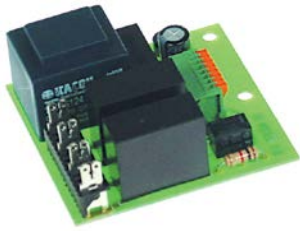
<b>GEV No.</b>	402473	<b>Ref. No.</b>	I3686
<b>description</b>	Hall sensor L 24mm W 10mm cable length 760mm		





## electronics

## PCBs



1

<b>GEV No.</b>	401510	<b>Ref. No.</b>	S3288
----------------	--------	-----------------	-------

<b>description</b>	PCB 230V
--------------------	----------



1

<b>GEV No.</b>	403013	<b>Ref. No.</b>	S3221
----------------	--------	-----------------	-------

<b>description</b>	PCB 230V
--------------------	----------



1

<b>GEV No.</b>	403012	<b>Ref. No.</b>	S3223
----------------	--------	-----------------	-------

<b>description</b>	PCB 400V
--------------------	----------



1

<b>GEV No.</b>	400797	<b>Ref. No.</b>	C8239 S3226 S3319
----------------	--------	-----------------	-------------------------

<b>description</b>	PCB for slicer 230V
--------------------	---------------------

<b>accessories for</b>	400797
------------------------	--------



<b>GEV No.</b>	346052	<b>Ref. No.</b>	I3701
----------------	--------	-----------------	-------

push switch mounting measurements 30x22mm black/green 2CO 250V 16A illuminated connection male faston 6.3mm ambient temperature max. 125/55°C protection IP65



1

<b>GEV No.</b>	403596	<b>Ref. No.</b>	S3285
----------------	--------	-----------------	-------

<b>description</b>	PCB for slicer 50Hz 230V
--------------------	--------------------------

<b>spare parts for</b>	403596
------------------------	--------



<b>GEV No.</b>	348122	<b>Ref. No.</b>	P9501
----------------	--------	-----------------	-------

push switch green/red 230V connection cable 1800mm



1

<b>GEV No.</b>	403010	<b>Ref. No.</b>	S3228
----------------	--------	-----------------	-------

<b>description</b>	PCB for slicer L 125mm W 90mm 400V 50Hz voltage AC
--------------------	----------------------------------------------------



1

<b>GEV No.</b>	403609	<b>Ref. No.</b>	S3322
----------------	--------	-----------------	-------

<b>description</b>	PCB for slicer OG30E L 102mm W 36mm suitable for OMAS
--------------------	-------------------------------------------------------



1

<b>GEV No.</b>	403570	<b>Ref. No.</b>	S3321
----------------	--------	-----------------	-------

<b>description</b>	PCB for slicer OG30E suitable for OMAS
--------------------	----------------------------------------



1

<b>GEV No.</b>	401511	<b>Ref. No.</b>	S3290
----------------	--------	-----------------	-------


<b>description</b>	PCB slicer 230V
--------------------	-----------------



1

<b>GEV No.</b>	401514	<b>Ref. No.</b>	S3291
----------------	--------	-----------------	-------

<b>description</b>	PCB slicer 24V
--------------------	----------------





1

<b>GEV No.</b>	403011	<b>Ref. No.</b>	S3227
<b>description</b>	PCB slicer A31E 230V		

keypads


membrane keypads



1


<b>GEV No.</b>	347316	<b>Ref. No.</b>	T1760
<b>description</b>	keypad foil buttons 2 grey/black L 69mm W 34.4mm		

keypad units




1

<b>GEV No.</b>	403050	<b>Ref. No.</b>	I1682
<b>description</b>	keypad unit buttons 2 cable length 200mm edition from 1998 on L 70mm W 40mm		



1

<b>GEV No.</b>	401513	<b>Ref. No.</b>	I1680
<b>description</b>	keypad unit buttons 2 cable length 400mm edition from 1998 on L 75mm W 40mm		
<b>spare parts for</b>	401513		
	<b>GEV No.</b>	<b>Ref. No.</b>	
	347316	T1760	
<b>description</b>	keypad foil buttons 2 grey/black L 69mm W 34.4mm		



1

<b>GEV No.</b>	401512	<b>Ref. No.</b>	I1675
<b>description</b>	keypad unit buttons 2 edition until 1998 L 75mm W 40mm		



1


<b>GEV No.</b>	403000	<b>Ref. No.</b>	I1683
<b>description</b>	keypad unit buttons 4 L 130mm W 70mm		

compressors

accessories


starting relays

klixons



1

<b>GEV No.</b>	381373	<b>Ref. No.</b>	R2001
<b>description</b>	start relay 4CR-1-650 230V connection male faston 6.3mm		




1

<b>GEV No.</b>	381397	<b>Ref. No.</b>	R2003
<b>description</b>	start relay 4CR-1-744 230V connection F6.3		

motors

motors


for slicers



1


<b>GEV No.</b>	501376	<b>Ref. No.</b>	M8240
<b>description</b>	motor 230V 1 phase 50Hz shaft ø 19.5mm shaft length 56mm ø 145mm hole ø 8mm hole distance 115mm L 222mm		





			
1			
<b>GEV No.</b>	501375	<b>Ref. No.</b>	M8468
<b>description</b>	motor 230V 50Hz shaft ø 20mm shaft length 52mm ø 136mm hole ø 8mm hole distance 115mm type S8437 L 215mm		

group 4

			
1			
<b>GEV No.</b>	499325	<b>Ref. No.</b>	M8375
<b>description</b>	motor 230V 50Hz OG30E		


			
1			
<b>GEV No.</b>	499081	<b>Ref. No.</b>	M8342
<b>description</b>	motor 230V 50Hz shaft ø 15mm shaft length 34mm L 130mm		


			
1			
<b>GEV No.</b>	499064	<b>Ref. No.</b>	M8349
<b>description</b>	motor 230V 50Hz shaft ø 15mm shaft length 34mm L 95mm		


			
1			
<b>GEV No.</b>	499080	<b>Ref. No.</b>	M8409
<b>description</b>	motor 230V 50Hz shaft ø 15mm shaft length 34mm OMAS L 118mm		

fuses

overload switches

			
1			
<b>GEV No.</b>	348149	<b>Ref. No.</b>	I3790
<b>description</b>	overload switch 1-pole drop-away current 4A rated 240V nominal 0.05-16A connection F6.3		

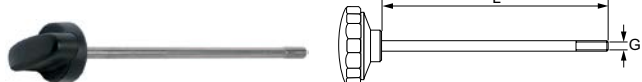

			
1			
<b>GEV No.</b>	358182	<b>Ref. No.</b>	I3792
<b>description</b>	overload switch 1-pole drop-away current 6A rated AC 240V/DC 48V connection male faston 6.3mm		

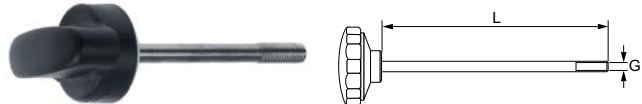
			
1			
<b>GEV No.</b>	358183	<b>Ref. No.</b>	I3694
<b>description</b>	overload switch 1-pole drop-away current 7A rated AC 240V/DC 48V connection male faston 6.3mm		

equipment-specific units

for slicers


locking screws

			
1			
<b>GEV No.</b>	697371	<b>Ref. No.</b>	T5002
<b>description</b>	locking screw thread M8 L 200mm		
<b>spare parts for</b>	697371		
	<b>GEV No.</b>	697766	<b>Ref. No.</b>
			I1926
	handle L 50mm W 17mm ø 35mm thread M8		


			
1			
<b>GEV No.</b>	697800	<b>Ref. No.</b>	N/A
<b>description</b>	locking screw thread M8 L 80mm handle ø 50mm suitable for OMAS A310		








handles			
			
1			
<b>GEV No.</b>	697766	<b>Ref. No.</b>	I1926
<b>description</b>	handle L 50mm W 17mm ø 35mm thread M8		


adjustment knobs			
			
1			
<b>GEV No.</b>	697767	<b>Ref. No.</b>	I1976
<b>description</b>	adjusting knob 0-15 ø 50mm shaft ø 12mm shaft L 30mm handle ø 43mm		


			
1			
<b>GEV No.</b>	697368	<b>Ref. No.</b>	I1990A
<b>description</b>	adjusting knob 0-15 ø 70mm shaft ø 18mm shaft L 48mm handle ø 64mm		


guiding pieces			
for sliding plates			
			
1			
<b>GEV No.</b>	696697	<b>Ref. No.</b>	S3808 S3891
<b>description</b>	guide L 85mm W 40mm H 25mm hole ø 16mm		


bushes			
			
1			
<b>GEV No.</b>	696686	<b>Ref. No.</b>	B6275
<b>description</b>	bush ED ø 20mm ID ø 18mm H 20mm SS		

hand guard			
			
1			
<b>GEV No.</b>	697805	<b>Ref. No.</b>	C6537
<b>description</b>	hand protection for carriage C300 CE H 170mm W 250mm thickness 8mm hole ø 7mm mounting distance 135mm plexiglas suitable for OMAS		

			
1			
<b>GEV No.</b>	698776	<b>Ref. No.</b>	C7127
<b>description</b>	hand protection slicer OG30E H 195mm W 190mm thickness 3.5mm hole ø 6.5mm mounting distance 125mm plexiglas		

			
1			
<b>GEV No.</b>	698656	<b>Ref. No.</b>	A3050A
<b>description</b>	blade pulley D1 ø 20mm shaft ø 10/7 L 67mm shaft length 35mm mounting thread M16x2		

blades			
INOX			
			
1			
<b>GEV No.</b>	697562	<b>Ref. No.</b>	L060602
<b>description</b>	slicing machine blade ED ø 300mm seat ø 57mm 4 hole ID ø 254mm H 22.5mm stainless steel		

			
1			
<b>GEV No.</b>	697373	<b>Ref. No.</b>	L062302
<b>description</b>	slicing machine blade ED ø 350mm seat ø 57mm 4 hole ID ø 280mm H 22.5mm stainless steel		



1

<b>GEV No.</b>	697564	<b>Ref. No.</b>	L061002
<b>description</b>	slicing machine blade ED ø 370mm seat ø 57mm 4 hole ID ø 300mm H 22.5mm stainless steel		

## PTFE



1

<b>GEV No.</b>	697304	<b>Ref. No.</b>	L060205
<b>description</b>	slicing machine blade ED ø 250mm seat ø 40mm 3-hole ID ø 210mm H 17.5mm PTFE 100Cr6		



1

<b>GEV No.</b>	698210	<b>Ref. No.</b>	L060605
<b>description</b>	slicing machine blade ED ø 300mm seat ø 57mm 4 hole ID ø 254mm H 22.5mm PTFE 100Cr6		



1

<b>GEV No.</b>	697550	<b>Ref. No.</b>	L060805
<b>description</b>	slicing machine blade ED ø 330mm seat ø 57mm 4 hole ID ø 270mm H 23mm PTFE 100Cr6		



1

<b>GEV No.</b>	697551	<b>Ref. No.</b>	L062305
<b>description</b>	slicing machine blade ED ø 350mm seat ø 57mm 4 hole ID ø 280mm H 22.5mm PTFE 100Cr6		



1

<b>GEV No.</b>	697552	<b>Ref. No.</b>	L061005
<b>description</b>	slicing machine blade ED ø 370mm seat ø 57mm 4 hole ID ø 300mm H 22.5mm PTFE 100Cr6		

## special



1

<b>GEV No.</b>	697845	<b>Ref. No.</b>	N/A
<b>description</b>	slicing machine blade ED ø 330mm seat ø 270mm 4 hole ID ø 57mm Hmm 100Cr6		

## standard



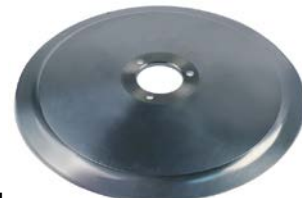
1

<b>GEV No.</b>	697546	<b>Ref. No.</b>	L0616
<b>description</b>	slicing machine blade ED ø 195mm seat ø 30mm 3-hole ID ø 155mm H 12.8mm C45 standard		




1

<b>GEV No.</b>	697436	<b>Ref. No.</b>	L0611
<b>description</b>	slicing machine blade ED ø 220mm seat ø 40mm 3-hole ID ø 180mm H 15.5mm C45		




1

<b>GEV No.</b>	697365	<b>Ref. No.</b>	L0602
<b>description</b>	slicing machine blade ED ø 250mm seat ø 40mm 3-hole ID ø 210mm H 17.5mm C45 standard		


1

<b>GEV No.</b>	697542	<b>Ref. No.</b>	L0613
<b>description</b>	slicing machine blade ED ø 275mm seat ø 25.4mm 4 hole ID ø 220mm H 15mm C45 standard		




1

<b>GEV No.</b>	697534	<b>Ref. No.</b>	L0612
<b>description</b>	slicing machine blade ED ø 300mm seat ø 40mm 3-hole ID ø 245mm H 17mm C45 standard		




1

<b>GEV No.</b>	697366	<b>Ref. No.</b>	L0606
<b>description</b>	slicing machine blade ED ø 300mm seat ø 57mm 4 hole H 22.5mm standard		



1

<b>GEV No.</b>	698191	<b>Ref. No.</b>	L0606
<b>description</b>	slicing machine blade ED ø 300mm seat ø 57mm 4 hole ID ø 254mm H 22.5mm C45 standard		




1

<b>GEV No.</b>	697399	<b>Ref. No.</b>	L0623
<b>description</b>	slicing machine blade ED ø 350mm seat ø 57mm 4 hole ID ø 280mm H 22.5mm C45 standard		

sharpener units


knobs



1


<b>GEV No.</b>	697765	<b>Ref. No.</b>	I1953
<b>description</b>	star handle thread M6 ø 30mm L 22mm		

sharpener units





1

<b>GEV No.</b>	697768	<b>Ref. No.</b>	A1064
<b>description</b>	blade sharpener 220		




1

<b>GEV No.</b>	697769	<b>Ref. No.</b>	A1085	
<b>description</b>	blade sharpener 220-250			
<b>spare parts for</b>	697769			
	<b>GEV No.</b>	697423	<b>Ref. No.</b>	M6624
	grindstone ø 40mm thickness 8mm bore ø 6mm grained fine with bevel, with hub			
	<b>GEV No.</b>	697600	<b>Ref. No.</b>	M6615
	grindstone ø 45mm thickness 10mm bore ø 6mm grained coarse without bevel			




1


<b>GEV No.</b>	697361	<b>Ref. No.</b>	A1024
<b>description</b>	blade sharpener 250		





1


<b>GEV No.</b>	697364	<b>Ref. No.</b>	A1059
<b>description</b>	blade sharpener 250		

			
1			
<b>GEV No.</b>	697362	<b>Ref. No.</b>	A1025
<b>description</b>	blade sharpener 300		

			
1			
<b>GEV No.</b>	697363	<b>Ref. No.</b>	A1026
<b>description</b>	blade sharpener 350/370		


			
1			
<b>GEV No.</b>	698655	<b>Ref. No.</b>	A1127
<b>description</b>	blade sharpener OG30E		


			
1			
<b>GEV No.</b>	697860	<b>Ref. No.</b>	A1027 A1028
<b>description</b>	blade sharpener suitable for OMAS		


grindstones			
			
1			
<b>GEV No.</b>	697797	<b>Ref. No.</b>	N/A
<b>description</b>	grindstone ø 43mm thickness 12mm bore ø 6mm grained coarse with bevel, with hub		


			
1			
<b>GEV No.</b>	697577	<b>Ref. No.</b>	N/A
<b>description</b>	grindstone ø 48mm thickness 8mm bore ø 14.3mm grained fine with bevel, without hub		


			
1			
<b>GEV No.</b>	697584	<b>Ref. No.</b>	M6621
<b>description</b>	grindstone ø 51mm thickness 7mm bore ø 14.3mm grained fine with bevel, without hub		

			
1			
<b>GEV No.</b>	697588	<b>Ref. No.</b>	N/A
<b>description</b>	grindstone ø 63mm thickness 10mm bore ø 14.3mm grained fine with bevel, without hub		

grindstones with hub			
			
1			
<b>GEV No.</b>	697424	<b>Ref. No.</b>	M6606
<b>description</b>	grindstone ø 40mm thickness 8mm bore ø 6mm grained coarse with bevel, with hub		

			
1			
<b>GEV No.</b>	697423	<b>Ref. No.</b>	M6624
<b>description</b>	grindstone ø 40mm thickness 8mm bore ø 6mm grained fine with bevel, with hub		

			
1			
<b>GEV No.</b>	697357	<b>Ref. No.</b>	M6601
<b>description</b>	grindstone ø 50mm thickness 8mm bore ø 6mm grained coarse with bevel, with hub		

			
1			
<b>GEV No.</b>	697358	<b>Ref. No.</b>	M6622
<b>description</b>	grindstone ø 50mm thickness 8mm bore ø 6mm grained fine with bevel, with hub		



grindstones with shaft

1



<b>GEV No.</b>	697359	<b>Ref. No.</b>	P3458
<b>description</b>	grindstone ø 51.5mm thickness 7mm grained fine with bolt		


1



<b>GEV No.</b>	697360	<b>Ref. No.</b>	P3381
<b>description</b>	grindstone ø 51mm thickness 15mm grained coarse with bolt		

grindstones cup form

1




<b>GEV No.</b>	697600	<b>Ref. No.</b>	M6615
<b>description</b>	grindstone ø 45mm thickness 10mm bore ø 6mm grained coarse without bevel		

1




<b>GEV No.</b>	697604	<b>Ref. No.</b>	N/A
<b>description</b>	grindstone ø 48mm thickness 15mm bore ø 14.3mm grained coarse without bevel		

1



<b>GEV No.</b>	697603	<b>Ref. No.</b>	N/A
<b>description</b>	grindstone ø 48mm thickness 15mm bore ø 14.3mm grained fine without bevel		

1



<b>GEV No.</b>	697607	<b>Ref. No.</b>	M6602
<b>description</b>	grindstone ø 51mm thickness 15mm bore ø 14.3mm grained coarse without bevel		

1




<b>GEV No.</b>	697610	<b>Ref. No.</b>	N/A
<b>description</b>	grindstone ø 55mm thickness 15mm bore ø 14.3mm grained coarse without bevel		

carriages

handles


1



<b>GEV No.</b>	111401	<b>Ref. No.</b>	I1936
<b>description</b>	locking screw thread M8x1.25		

miscellaneous

1



<b>GEV No.</b>	697370	<b>Ref. No.</b>	S7595
<b>description</b>	bolt thread M8 ø 10mm L 25mm for equipment foot		
<b>accessories for</b>	697370		
<b>GEV No.</b>	697369	<b>Ref. No.</b>	P5008
<b>description</b>	equipment foot ø 47mm H 35mm bore ø 9mm rubber Qty 1 pcs		

for bandsaws

saw blades

width 16mm

1



<b>GEV No.</b>	699033	<b>Ref. No.</b>	L0663
<b>description</b>	saw blade L 1650mm W 16mm thickness 0.5mm tooth spacing 6mm		



1 

<b>GEV No.</b>	699042	<b>Ref. No.</b>	L0669
<b>description</b>	saw blade L 1980mm W 16mm thickness 0.5mm tooth spacing 6mm		

locks

1 

<b>GEV No.</b>	697945	<b>Ref. No.</b>	I2097
<b>description</b>	catch ø 40mm L 107mm handle length 57mm handle material plastic T210-250		

for meat mincers

grinder plates

ENTERPRISE

with 2 notches

with hub

1 

<b>GEV No.</b>	696698	<b>Ref. No.</b>	P4019
<b>description</b>	grinder plate type ENTERPRISE size 22 hole ø 8mm with hub grooves 2 stainless steel ø 83mm		

UNGER

1 

<b>GEV No.</b>	696162	<b>Ref. No.</b>	P4030
<b>description</b>	grinder plate type Unger size 22 hole ømm flat grooves 1 stainless steel ø 81.6mm		

blades


ENTERPRISE

1 

<b>GEV No.</b>	696699	<b>Ref. No.</b>	C5213
<b>description</b>	knife type ENTERPRISE size 22 ø 74mm internal size 13x13mm stainless steel		


UNGER

with fixed blades

1 

<b>GEV No.</b>	696031	<b>Ref. No.</b>	C5211
<b>description</b>	knife type Unger size H-82 (22) ø 73mm stainless steel		

plungers

1 

<b>GEV No.</b>	698657	<b>Ref. No.</b>	P6979
<b>description</b>	plunger ø 50mm L 115mm total length 215mm		


for espresso machines

filter holders

filter holders standard

handles

with bore

1 

<b>GEV No.</b>	698835	<b>Ref. No.</b>	I1927
<b>description</b>	handle ø 26mm aperturemm IT M6 L 70mm black		



for tilting bratt pans

miscellaneous



1			
<b>GEV No.</b>	523510	<b>Ref. No.</b>	C8014 C8055
<b>description</b>	deep-groove ball bearing type 6202-2RS shaft ø 15mm ED ø 35mm W 11mm with sealing discs deep-groove ball bearing DIN 625-1		

handles and hand wheels

star handles



1			
<b>GEV No.</b>	697765	<b>Ref. No.</b>	I1953
<b>description</b>	star handle thread M6 ø 30mm L 22mm		

miscellaneous



1			
<b>GEV No.</b>	697766	<b>Ref. No.</b>	I1926
<b>description</b>	handle L 50mm W 17mm ø 35mm thread M8		

equipment feet and end caps


bolting feet



1			
<b>GEV No.</b>	697764	<b>Ref. No.</b>	P5011
<b>description</b>	equipment foot ø 35mm H 30mm bore ø 6mm Qty 1 pcs		

equipment feet with stem



1			
<b>GEV No.</b>	697369	<b>Ref. No.</b>	P5008
<b>description</b>	equipment foot ø 47mm H 35mm bore ø 9mm rubber Qty 1 pcs		
<b>accessories for</b>	697369		
	<b>GEV No.</b>	<b>Ref. No.</b>	S7595
	bolt thread M8 ø 10mm L 25mm for equipment foot		

transmission technology and ball bearings

ball bearings

deep-groove ball bearings 2RS




1			
<b>GEV No.</b>	523507	<b>Ref. No.</b>	C8067
<b>description</b>	deep-groove ball bearing type 6000-2RS shaft ø 10mm ED ø 26mm W 8mm with sealing discs deep-groove ball bearing DIN 625-1		



1			
<b>GEV No.</b>	523011	<b>Ref. No.</b>	C8019
<b>description</b>	deep-groove ball bearing type 6002-2RS shaft ø 15mm ED ø 32mm W 9mm with sealing discs DIN 625-1		



1			
<b>GEV No.</b>	523522	<b>Ref. No.</b>	C8058
<b>description</b>	deep-groove ball bearing type 6004-2RS shaft ø 20mm ED ø 42mm W 12mm with sealing discs deep-groove ball bearing DIN 625-1		




1

<b>GEV No.</b>	523525	<b>Ref. No.</b>	C8026
<b>description</b>	deep-groove ball bearing type 6005-2RS shaft $\phi$ 25mm ED $\phi$ 47mm W 12mm with sealing discs deep-groove ball bearing DIN 625-1		



1

<b>GEV No.</b>	523542	<b>Ref. No.</b>	C8020
<b>description</b>	deep-groove ball bearing type 6008-2RS shaft $\phi$ 40mm ED $\phi$ 68mm W 15mm with sealing discs deep-groove ball bearing DIN 625-1		



1

<b>GEV No.</b>	505011	<b>Ref. No.</b>	C8029
<b>description</b>	deep-groove ball bearing type 6200-2RS shaft $\phi$ 10mm ED $\phi$ 30mm W 9mm DIN 625-1		



1

<b>GEV No.</b>	523509	<b>Ref. No.</b>	C8021
<b>description</b>	deep-groove ball bearing type 6201-2RS shaft $\phi$ 12mm ED $\phi$ 32mm W 10mm with sealing discs deep-groove ball bearing DIN 625-1		



1

<b>GEV No.</b>	523510	<b>Ref. No.</b>	C8014 C8055
<b>description</b>	deep-groove ball bearing type 6202-2RS shaft $\phi$ 15mm ED $\phi$ 35mm W 11mm with sealing discs deep-groove ball bearing DIN 625-1		




1

<b>GEV No.</b>	523511	<b>Ref. No.</b>	C8022
<b>description</b>	deep-groove ball bearing type 6203-2RS shaft $\phi$ 17mm ED $\phi$ 40mm W 12mm with sealing discs deep-groove ball bearing DIN 625-1		



1

<b>GEV No.</b>	523512	<b>Ref. No.</b>	C8024
<b>description</b>	deep-groove ball bearing type 6204-2RS shaft $\phi$ 20mm ED $\phi$ 47mm W 14mm with sealing discs deep-groove ball bearing DIN 625-1		




1

<b>GEV No.</b>	523513	<b>Ref. No.</b>	C8056
<b>description</b>	deep-groove ball bearing type 6205-2RS shaft $\phi$ 25mm ED $\phi$ 52mm W 15mm with sealing discs deep-groove ball bearing DIN 625-1		



1

<b>GEV No.</b>	523524	<b>Ref. No.</b>	C8057
<b>description</b>	deep-groove ball bearing type 6206-2RS shaft $\phi$ 30mm ED $\phi$ 62mm W 16mm with sealing discs deep-groove ball bearing DIN 625-1		



1

<b>GEV No.</b>	523027	<b>Ref. No.</b>	C8030
<b>description</b>	deep-groove ball bearing type 6207-2RS shaft $\phi$ 35mm ED $\phi$ 72mm W 17mm with sealing discs DIN 625-1		




1

<b>GEV No.</b>	523526	<b>Ref. No.</b>	C8059
<b>description</b>	deep-groove ball bearing type 6302-2RS shaft $\varnothing$ 15mm ED $\varnothing$ 42mm W 13mm with sealing discs deep-groove ball bearing DIN 625-1		



1

<b>GEV No.</b>	698613	<b>Ref. No.</b>	C8007
<b>description</b>	deep-groove ball bearing shaft $\varnothing$ 17mm ED $\varnothing$ 40mm W 12mm type 6203-2Z DIN 625-1		




1

<b>GEV No.</b>	523516	<b>Ref. No.</b>	C8060
<b>description</b>	deep-groove ball bearing type 6303-2RS shaft $\varnothing$ 17mm ED $\varnothing$ 47mm W 14mm with sealing discs deep-groove ball bearing DIN 625-1		



1

<b>GEV No.</b>	523032	<b>Ref. No.</b>	C8008
<b>description</b>	deep-groove ball bearing shaft $\varnothing$ 20mm ED $\varnothing$ 42mm W 12mm type 6004-2Z DIN 625-1		



1

<b>GEV No.</b>	523517	<b>Ref. No.</b>	C8061
<b>description</b>	deep-groove ball bearing type 6304-2RS shaft $\varnothing$ 20mm ED $\varnothing$ 52mm W 15mm with sealing discs deep-groove ball bearing DIN 625-1		



1

<b>GEV No.</b>	523539	<b>Ref. No.</b>	C8009
<b>description</b>	deep-groove ball bearing shaft $\varnothing$ 20mm ED $\varnothing$ 47mm W 14mm type 6204-2Z DIN 625-1		



1

<b>GEV No.</b>	523518	<b>Ref. No.</b>	C8088
<b>description</b>	deep-groove ball bearing type 6305-2RS shaft $\varnothing$ 25mm ED $\varnothing$ 62mm W 17mm with sealing discs deep-groove ball bearing DIN 625-1		



1

<b>GEV No.</b>	692033	<b>Ref. No.</b>	C8031
<b>description</b>	deep-groove ball bearing shaft $\varnothing$ 25mm ED $\varnothing$ 47mm W 12mm type 6005-2Z DIN 625-1		

deep-groove ball bearings 2Z



1

<b>GEV No.</b>	523057	<b>Ref. No.</b>	C8006
<b>description</b>	deep-groove ball bearing shaft $\varnothing$ 17mm ED $\varnothing$ 35mm W 10mm type 6003-2Z DIN 625-1		



1

<b>GEV No.</b>	523540	<b>Ref. No.</b>	C8011
<b>description</b>	deep-groove ball bearing shaft $\varnothing$ 25mm ED $\varnothing$ 52mm W 15mm type 6205-2Z DIN 625-1		



1

<b>GEV No.</b>	523058	<b>Ref. No.</b>	C8013
<b>description</b>	deep-groove ball bearing shaft $\varnothing$ 30mm ED $\varnothing$ 55mm W 13mm type 6006-2Z DIN 625-1		



2

<b>GEV No.</b>	523030	<b>Ref. No.</b>	C8025
<b>description</b>	deep-groove ball bearing shaft $\varnothing$ 30mm ED $\varnothing$ 62mm W 16mm type 6206-2Z DIN 625-1		

### angular contact ball bearings



1

<b>GEV No.</b>	523531	<b>Ref. No.</b>	C8040
<b>description</b>	angular contact ball bearing shaft $\varnothing$ 17mm ED $\varnothing$ 40mm W 12mm type 7203-BEP DIN 628		



1

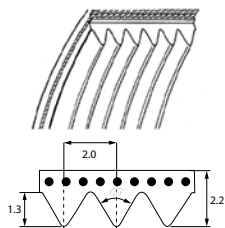
<b>GEV No.</b>	523530	<b>Ref. No.</b>	C8041
<b>description</b>	angular contact ball bearing shaft $\varnothing$ 20mm ED $\varnothing$ 47mm W 14mm type 7204-BEP DIN 628		

### drive belts

#### poly-v belts



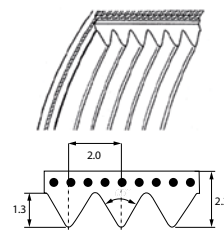
1



<b>GEV No.</b>	697624	<b>Ref. No.</b>	N/A
<b>description</b>	poly-v belt grooves 10 W 20mm L 770mm profile TB2		



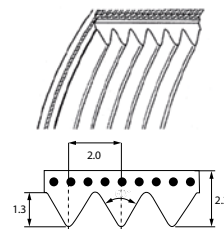
1



<b>GEV No.</b>	697830	<b>Ref. No.</b>	C4813
<b>description</b>	poly-v belt grooves 11 W 21.5mm L 330mm profile TB2		



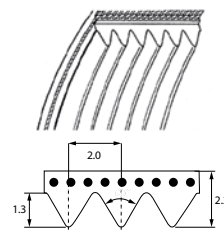
1



<b>GEV No.</b>	697613	<b>Ref. No.</b>	C4809
<b>description</b>	poly-v belt grooves 8 W 16mm L 295mm profile TB2		



1



<b>GEV No.</b>	697367	<b>Ref. No.</b>	C4818
<b>description</b>	poly-v belt grooves 8 W 16mm L 330mm profile TB2		



**C**

compressors	7
contactors	5
control equipment	4

**F**

fuses	8
-------	---

**H**

Hall sensors	5
--------------	---

**M**

magnetic switches	4
microswitches	4
motors	7

**P**

probes	5
push/momentary push switches	3

**R**

relays	5
rocker/momentary rocker switches	3
rotary switches	4

**S**

switches and momentary switches	3
---------------------------------	---