



GAS COMPONENTS



ELECTRIC COMPONENTS



WATER TECHNOLOGY



MECHANICAL COMPONENTS



TOOLS

Spare parts suitable for

NEUMÄRKER

Find the complete and up-to-date range of products in our GEV Webshop



Manufacturer catalogue

The most important spare parts and accessories arranged clearly for every manufacturer

- ✓ Complete product range and all appliance data always up to date in the GEV Webshop
- ✓ Alphabetical Index at the end of the catalogue

GEV Webshop

www.gev-online.co.uk

www.gev-online.com




- 🔍 Add to Favourites
- 🔍 Sign In with email address and usual password
- 🔍 Easy-order – place several items in your basket at the same time
- 🔍 Quick Item search – no login needed




heating elements

heating elements for hot counters


			
1			
GEV No.	416777	Ref. No.	9-00330-02
description	heating element 500W 230V heating circuits 1 L 245mm W 147mm H 28mm connection distance 140mm tube ø 6.3mm connection 6.3 dry heating element hot bar L1 38mm L2 195mm		

quartz heating elements

			
1			
GEV No.	419117	Ref. No.	9-50314-03
description	quartz heating element 525W 76V		


switches and momentary switches

push/momentary push switches

30x22mm			
			
1			
GEV No.	301084	Ref. No.	09-51218-09
description	push switch mounting measurements 30x22mm red 2NO 250V 12A connection male faston 6.3mm ambient temperature max. 85/55°C protection IP54 with protective collar		

lamps


indicator lights

indicator lights (complete)			
ø13mm			
with plug-in socket			
			
1			
GEV No.	359142	Ref. No.	09-51218-03
description	indicator light ø 13mm green 230V connection male faston 6.3mm temp.-resist. 120°C Qty 1 pcs		

linear lamps

infrared lamps


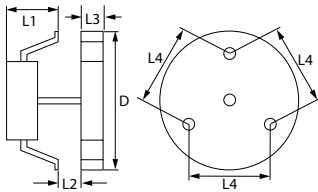


with base type R7s

			
1			
GEV No.	359693	Ref. No.	9-50554-01
description	infrared lamp socket R7s L 220mm 230V 400W IMPORT		

fans

hot air fans

miscellaneous

			
1			
			
GEV No.	601011	Ref. No.	9-00890-10
description	hot air fan 220-240V 40W 50/60Hz L1 65mm L2 15mm L3 25mm L4 87mm fan wheel ø 150mm FIME type C25R8023CLH		
accessories for	601011		
	GEV No.	550879	Ref. No.
insulation ø 130mm thickness 3mm hole ø 20mm for hot air fan			
	GEV No.	601260	Ref. No.
nut thread M6L IT for hot air fan			



gaskets

gaskets for heated units

door seals with fixing hook



GEV No.	901321	Ref. No.	9-00749-00
description	door seal L 650mm W 350mm with 8 mounting clips		

D

door seals with fixing hook 4

F

fans 3

G

gaskets for heated units 4

H

heating elements 3

hot air fans 3

I

indicator lights 3

indicator lights (complete) 3

infrared lamps 3

L

lamps 3

linear lamps 3

P

push/momentary push switches 3

Q

quartz heating elements 3

S

switches and momentary switches 3