



GAS COMPONENTS



ELECTRIC COMPONENTS



WATER TECHNOLOGY



MECHANICAL COMPONENTS



TOOLS

Spare parts suitable for

LA-SOMMELIERE

Find the complete and up-to-date range of products in our GEV Webshop



Manufacturer catalogue

The most important spare parts and accessories arranged clearly for every manufacturer

- ✓ Complete product range and all appliance data always up to date in the GEV Webshop
- ✓ Alphabetical Index at the end of the catalogue

GEV Webshop

www.gev-online.co.uk

www.gev-online.com



- 🔍 Add to Favourites
- 🔍 Sign In with email address and usual password
- 🔍 Easy-order – place several items in your basket at the same time
- 🔍 Quick Item search – no login needed



thermostats


refrigeration thermostats

DANFOSS

service thermostats DANFOSS


All Danfoss thermostats are supplied with fastening material application:

- 390552 - **fridges
- 390553 - **Refrigerators with defrosting push button
- 390554 - **/**Refrigerators with automatic defrosting
- 390555 - absorption refrigerators
- 390557 - Deep cooler with active signal
- 390558 - Freezing with passive signal
- 390559 - bottle cooler 390559




GEV No.	390668	Ref. No.	077B0338 7038042
description	thermostat type 077B0338 capillary pipe 2000mm		

control thermostats




GEV No.	390669	Ref. No.	7038257 (old version)
description	thermostat type 077B0303L capillary pipe 2000mm temperature range -8.5 up to -1°C probe ø 2mm probe Lmm DANFOSS		



GEV No.	391036	Ref. No.	7038257
description	thermostat type 077B2220 capillary pipe 860mm temperature range -34 up to -15°C probe ø 2mm		


RANCO

K50 series




GEV No.	390670	Ref. No.	A6004206
description	thermostat RANCO type K50-L3363 capillary pipe 2050mm probe ø9.5x130mm		

miscellaneous producers



GEV No.	390671	Ref. No.	152783
description	thermostat capillary pipe 800mm		




GEV No.	380869	Ref. No.	7038042
description	thermostat probe ø 3mm capillary pipe 500mm		

switches and momentary switches

push/momentary push switches

ø12mm



GEV No.	346594	Ref. No.	A07025
description	momentary push switch mounting ø 12mm black 1NO 250V 4A connection male faston 6.3mm ambient temperature max. 85°C protection IP40		



lamps

LED

indicator lamps

miscellaneous



1

GEV No.	700842	Ref. No.	BSF17019
description	lamp LED cable length 115mm ø 140mm		

fluorescent lamps

fluorescent lamps

G13



1

GEV No.	359455	Ref. No.	Z0370019
description	fluorescent lamp socket G13 L 438mm 15W with starter		



1

GEV No.	357007	Ref. No.	AM100B18 AM100B21
description	fluorescent lamp socket G13 L 895mm 30W ø 27mm 230V Qty 1 pcs		
accessories for	357007		



1

GEV No.	380464	Ref. No.	AM100B19
description	starter 4-65W		



1

GEV No.	401505	Ref. No.	—
description	electrical ballast 36W 230V Qty 1 pcs		



1

GEV No.	402065	Ref. No.	—
description	electrical ballast 30W 230V for fluorescent lamps Qty 1 pcs		

accessories

starter



1

GEV No.	380464	Ref. No.	AM100B19
description	starter 4-65W		

lamp accessories

fascias



1

GEV No.	692054	Ref. No.	AM100B24
description	bezel for lighting W 1200mm H 220mm D 45mm		



1

GEV No.	694235	Ref. No.	CF100009
description	cover for lamp L 1260mm W 60mm		

relays

power relays

with bracket mounting



1

GEV No.	380867	Ref. No.	AM100B11
description	relay SHANGFANG 12VDC 30A 1NO connection male faston 6.3mm screw mounting at 250V 30A manuf. no. 855AW-1A-C1		

miscellaneous



1

GEV No.	380868	Ref. No.	153122
description	relay 230V		



electronic controllers









SHANGFANG

refrigeration controllers

built-in version



1

GEV No.	402150 ¹	Ref. No.	LG208H09
description	electronic controller SHANGFANG type SF-1015-2 mounting measurements 71x29mm 12V voltage AC NTC relay outputs 1 12VDC NTC front measurements 77x35mm built-in depth 40mm protection IP54 accuracy 1% built-in version alarm yes without accessories defr. funct. yes -45 up to +45°C display 3 digits		
spare parts for	402150		
	GEV No.	379054	Ref. No. —
	transformer primary 230VAC secondary 12VAC 3VA secondary 0.25A H 40mm L 45mm W 50mm connection screw 50/60Hz type 153/M		
	GEV No.	380867	Ref. No. AM100B11
	relay SHANGFANG 12VDC 30A 1NO connection male faston 6.3mm screw mounting at 250V 30A manuf. no. 855AW-1A-C1		
	GEV No.	381318	Ref. No. —
	temperature probe NTC cable silicone cable colours white cable length 3m probe -40 up to +110°C cable -50 up to +180°C probe ø7x25mm coded plug		
	GEV No.	381319	Ref. No. —
	temperature probe NTC cable silicone cable colours black cable length 3m evaporator probe -40 up to +110°C cable -50 up to +180°C probe ø7x25mm coded plug		
accessories for	402150		
	GEV No.	379054	Ref. No. —
	transformer primary 230VAC secondary 12VAC 3VA secondary 0.25A H 40mm L 45mm W 50mm connection screw 50/60Hz type 153/M		
	GEV No.	380867	Ref. No. AM100B11
	relay SHANGFANG 12VDC 30A 1NO connection male faston 6.3mm screw mounting at 250V 30A manuf. no. 855AW-1A-C1		
	GEV No.	381318	Ref. No. —
	temperature probe NTC cable silicone cable colours white cable length 3m probe -40 up to +110°C cable -50 up to +180°C probe ø7x25mm coded plug		
	GEV No.	381319	Ref. No. —
	temperature probe NTC cable silicone cable colours black cable length 3m evaporator probe -40 up to +110°C cable -50 up to +180°C probe ø7x25mm coded plug		

¹without relay, cable harness, probe and transformer



1

GEV No.	402156	Ref. No.	CF100005
description	electronic controller SHANGFANG type SF-821 mounting measurements 71x29mm 230V voltage AC NTC relay outputs 1 NO-16A NTC front measurements 77x35mm built-in depth 60mm accuracy 1% defr. funct. yes -45 up to +100°C		

built-in version 2-piece



1

GEV No.	402148 ¹	Ref. No.	AM100B10 AM33643
description	electronic controller SHANGFANG type SF-1045 mounting measurements 71x29mm 230V voltage AC NTC relay outputs 2 NO-30A NO-30A NTC NTC Comp front measurements 77x35mm built-in depth 40mm protection IP54 accuracy 1% built-in version alarm incl. relay, cable harness, probe and transformer defr. funct. yes -45 up to +45°C display 3 digits		
spare parts for	402148		
	GEV No.	379054	Ref. No. —
	transformer primary 230VAC secondary 12VAC 3VA secondary 0.25A H 40mm L 45mm W 50mm connection screw 50/60Hz type 153/M		
	GEV No.	380867	Ref. No. AM100B11
	relay SHANGFANG 12VDC 30A 1NO connection male faston 6.3mm screw mounting at 250V 30A manuf. no. 855AW-1A-C1		
	GEV No.	381318	Ref. No. —
	temperature probe NTC cable silicone cable colours white cable length 3m probe -40 up to +110°C cable -50 up to +180°C probe ø7x25mm coded plug		
	GEV No.	381319	Ref. No. —
	temperature probe NTC cable silicone cable colours black cable length 3m evaporator probe -40 up to +110°C cable -50 up to +180°C probe ø7x25mm coded plug		
accessories for	402148		
	GEV No.	379054	Ref. No. —
	transformer primary 230VAC secondary 12VAC 3VA secondary 0.25A H 40mm L 45mm W 50mm connection screw 50/60Hz type 153/M		
	GEV No.	380867	Ref. No. AM100B11
	relay SHANGFANG 12VDC 30A 1NO connection male faston 6.3mm screw mounting at 250V 30A manuf. no. 855AW-1A-C1		
	GEV No.	381318	Ref. No. —
	temperature probe NTC cable silicone cable colours white cable length 3m probe -40 up to +110°C cable -50 up to +180°C probe ø7x25mm coded plug		
	GEV No.	381319	Ref. No. —
	temperature probe NTC cable silicone cable colours black cable length 3m evaporator probe -40 up to +110°C cable -50 up to +180°C probe ø7x25mm coded plug		

¹incl. relay, cable harness, probe and transformer



accessories



1

GEV No.	380867	Ref. No.	AM100B11
description	relay SHANGFANG 12VDC 30A 1NO connection male faston 6.3mm screw mounting at 250V 30A manuf. no. 855AW-1A-C1		

electronics

PCBs



1

GEV No.	401852	Ref. No.	CVH21021 CVH21021_BIS
description	keypad PCB refrigeration L 180mm W 42mm with display buttons 4		



1

GEV No.	402151	Ref. No.	D123BP0302
description	PCB refrigerator L 100mm W 98mm suitable for CM270		



1

GEV No.	401845	Ref. No.	CVH21046
description	power PCB L 235mm W 70mm suitable for MC209/CVH210 230V 15A		

compressors

EMBRACO / ASPERA

R134A

LBP monophase

Lower evaporation temperature below -20°C

1

GEV No.	605119	Ref. No.	A6001206
description	compressor coolant R134a type NE2121Z 220-240V 50Hz LBP fully hermetic 11.7kg 1/4HP cylinder capacity 9.26cm ³ CSIR H 215mm 163W 217W 285W 368W 465W 575W test method EN 12900		

HBP monophase

High evaporation temperature above -15°C

1

GEV No.	605115	Ref. No.	A6001256
description	compressor coolant R134a type T6217Z 220-240V 50Hz HBP fully hermetic 16.8kg 1/2HP cylinder capacity 22.4cm ³ CSIR H 225mmWWW 718W 973W 1275W 1624W 2020W 2464W test method ASHRAE		



SECOP DANFOSS

R134A

LBP monophase

Lower evaporation temperature below -20°C



1

GEV No.	605052	Ref. No.	AC2PT37
description	compressor coolant R134a type TL5G 220-240V 50Hz LBP/HBP fully hermetic 7.5kg 1/6HP cylinder capacity 5.08cm ³ RSIR/CSIR H 173mm 69W 97W 132W 172W 220W 277W 345W 423W 461W test method ASHRAE		
spare parts for	605052		
	GEV No.	380076	Ref. No. —
	start relay DANFOSS 117U6000 HST		

HBP monophase

High evaporation temperature above -15°C



1

GEV No.	605052	Ref. No.	AC2PT37
description	compressor coolant R134a type TL5G 220-240V 50Hz LBP/HBP fully hermetic 7.5kg 1/6HP cylinder capacity 5.08cm ³ RSIR/CSIR H 173mm 69W 97W 132W 172W 220W 277W 345W 423W 461W test method ASHRAE		
spare parts for	605052		
	GEV No.	380076	Ref. No. —
	start relay DANFOSS 117U6000 HST		

HMBP monophase

High/Medium evaporation temperature above -20/-15 °C



1

GEV No.	605091	Ref. No.	195B0193
description	compressor coolant R134a type FR8.5G 220-240V 50Hz HMBP 10.6kg 1/4HP power input 261W cylinder capacity 7.95cm ³ RSIR/CSIR H 196mm 85W 123W 171W 228W 298W 381W 478W 592W 722WW		
spare parts for	605091		
	GEV No.	380484	Ref. No. —
	start relay DANFOSS 117U6015/F394 HST		




1

GEV No.	605193	Ref. No.	LG330H19
description	compressor coolant R134a type NL11MF 220-240V 50Hz HMBP 10.5kg 1/3HP cylinder capacity 11.15cm ³ RSIR/CSIR H 203mmWW 321W 418W 534W 670W 832W 1020W 1239W test method ASHRAE		
spare parts for	605193		
	GEV No.	381530	Ref. No. —
	start relay DANFOSS 117U6022 HST		



1

GEV No.	605087	Ref. No.	153117
description	compressor coolant R134a type SC12G 220-240V 50Hz HMBP fully hermetic 12.6kg 1/3HP power input 470W cylinder capacity 12.9cm ³ RSIR/CSIR H 203mm 140W 216W 312W 430W 574W 746W 951W 1191W 1469W test method ASHRAE 79.6W 1790W		
spare parts for	605087		
	GEV No.	380483	Ref. No.
			—
	start relay DANFOSS 117U6003 HST		

miscellaneous

various



1

GEV No.	605121	Ref. No.	BSF17026
description	compressor BAIXUE type QDH28G coolant R134a 230V 50Hz		



1

GEV No.	605116	Ref. No.	AM33633
description	compressor Guangzhou type AQAW77 coolant R134a 220V 50Hz		



1

GEV No.	605118	Ref. No.	AM100B5 CF100031
description	compressor Guangzhou type AQAW91 coolant R134a 220V 50Hz		



1

GEV No.	605117	Ref. No.	BC82A11
description	compressor Guangzhou type AS30 coolant R134a 230V 50Hz		



1

GEV No.	605120	Ref. No.	MB88NAEM134
description	compressor LG type MA57LAEG coolant R134a 230V 50Hz		



fans

axial fans

import



1

GEV No.	601609 ¹	Ref. No.	AC2P-T15 AC2PW04
description	axial fan L 119mm W 119mm H 25mm 230VAC 50-60Hz 14W bearing ball bearing connection male faston 2.8mm input current 0.07A housing aluminium		

¹with ball bearings



1

GEV No.	601604 ¹	Ref. No.	AC2PT33 AM33615 LG208H16
description	axial fan L 119mm W 119mm H 38mm 230VAC 50/60Hz 17/15W bearing slide bearing manuf. no. AA1282HS-AT connection cable 300mm fan wheel ø 110mm temp.-resist. 70°C input current 0.1A airflow 130m ³ /h 2600rpm		

¹with slide bearings



1

GEV No.	601601 ¹	Ref. No.	SA03018
description	axial fan L 119mm W 119mm H 38mm 230VAC 50/60Hz 22W bearing slide bearing manuf. no. DP200A2123XST.GN SUNON input current 0.14A		

¹with slide bearings



1

GEV No.	601606	Ref. No.	AM100B30
description	axial fan L 119mm W 119mm H 38mm 230VAC 50/60Hz bearing slide bearing set 4-piece		

refrigeration fans

refrigeration motors universal

IMPORT

multi fit fan motors



1

GEV No.	601050	Ref. No.	S1000112
description	fan motor 34W 230V 50-60Hz L2 90mm L3 121mm W 84mm cable length 500mm 1300rpm YZF34-45-18/26 5 mounting options bearing slide bearing		




1

GEV No.	601020	Ref. No.	A6002001
description	fan motor 5W 230V 50-60Hz L1 44mm L2 48mm L3 79mm W 84mm cable length 500mm 1300rpm YZF5-13-18/26 5 mounting options bearing slide bearing		




cooling motors (complete)



1

GEV No.	601610	Ref. No.	CF100023
description	fan 230V 5W 50/60Hz fan wheel ø 172mm shaft L 20mm W 105mm blade angle 28° connection with cable mounting distance 208mm ø 220mm		

cold air circulating fans (other)




1

GEV No.	601605	Ref. No.	A6002088
description	fan motor 230V 50-60Hz 26W shaft ø 4.5mm shaft L 42mm		

cross flow fans

EMMEVI - FERGAS

with standard coil



1

GEV No.	601018	Ref. No.	A6002035 A6002036
description	cross flow fan TG 180 roller ø 60mm roller length 180mm motor position right 230V/50Hz 25W universal bearing silicone connection male faston 6.3mm -10 up to +60°C 230V connections 1-2 1950U/min connections 1-4 1500U/min		

equipment-specific units

for fridges

bottom parts




1

GEV No.	691934	Ref. No.	BSF17027
description	bottom L 423mm W 378mm H 58mm for condenser Mini 4F		


housing and bezels

covers





1

GEV No.	691933	Ref. No.	AM100B39
description	cover LG1000 L 1200mm W 68mm H 305mm		




1

GEV No.	691935	Ref. No.	AM3363	
description	cover LG336 L 615mm W 180mm plate thickness max. 1mm			
accessories for	691935			
	GEV No.	691936	Ref. No.	AM3364
description	side panel mounting pos. left W 72mm H 183mm thickness 28mm LG336			



1

GEV No.	691936	Ref. No.	AM3364	
description	side panel mounting pos. left W 72mm H 183mm thickness 28mm LG336			
accessories for	691936			
	GEV No.	691935	Ref. No.	AM3363
description	cover LG336 L 615mm W 180mm plate thickness max. 1mm			



lids



GEV No.	694242	Ref. No.	N1S418* N6A608
description	lid mounting pos. upper W 860mm D 560mm thickness 60mm plastic		



GEV No.	694233	Ref. No.	CF100013D
description	door right W 670mm H 1570mm thickness 40mm		

doors

doors



GEV No.	694250	Ref. No.	CF100013G
description	door right suitable for refrigerator W 670mm H 1570mm thickness 40mm		



GEV No.	195003	Ref. No.	BSF17012
description	door W 425mm H 565mm thickness 17mm glas		



1

GEV No.	694251	Ref. No.	D270CP0201
description	door W 580mm H 1435mm thickness 63mm		



1

GEV No.	692047	Ref. No.	AM100B35 AM3366
description	glass door W 600mm H 1370mm thickness 40mm		



1

GEV No.	694231	Ref. No.	DL115P02
description	glass door W 480mm H 800mm thickness 52mm		

miscellaneous



1

GEV No.	692048	Ref. No.	138
description	drain tray L 380mm W 178mm H 50mm plastic		



1

GEV No.	692059	Ref. No.	CF100019
description	rack L 210mm W 20mm plastic		



1

GEV No.	694232	Ref. No.	CVH21031
description	glass door W 590mm H 1800mm thickness 32mm		



1

GEV No.	692058	Ref. No.	CF100042
description	rack support for fridge plastic		



for freezer cabinets

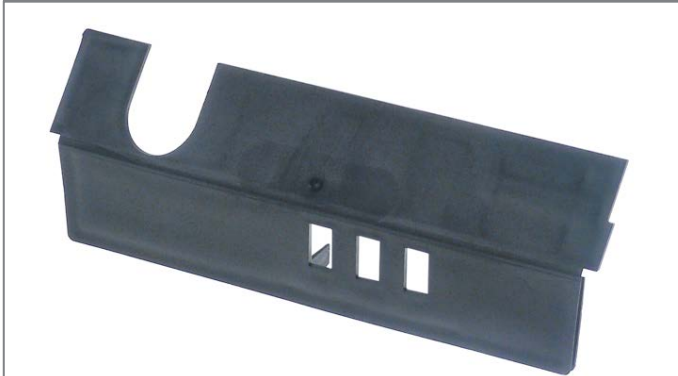
lids



1

GEV No.	692049	Ref. No.	BG706103
description	lid for deep freezer W 1010mm D 720mm H 60mm with gasket		

housing and bezels



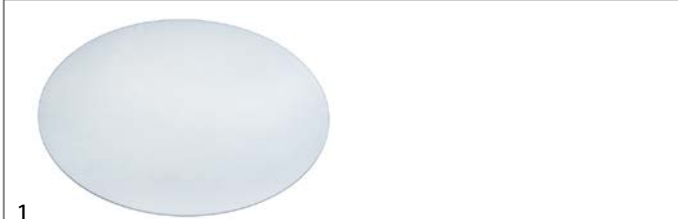
1

GEV No.	692052	Ref. No.	127862
description	front panel for deep freezer W 170mm H 55mm		

for display coolers

glass panels

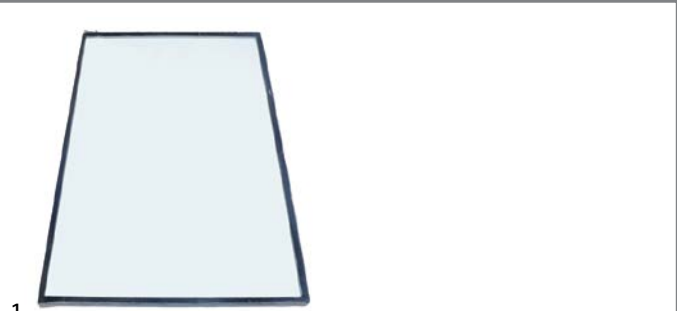
glass panels



1

GEV No.	692050	Ref. No.	SH01017
description	glass panel H 5mm ø 575mm for fridge glas		

doors



1

GEV No.	694228	Ref. No.	BSF17037
description	door W 575mm H 330mm mounting pos. lateral glas thickness 10.6mm		

for ovens

glass panels



1

GEV No.	691932	Ref. No.	BSF17038
description	glass panel L 570mm W 389mm thickness 7mm mounting pos. rear Mini 4F		

locks

locking devices

universal

articles not yet classified



1

GEV No.	692341	Ref. No.	3414900023
description	key cylinder with key cam length 12mm hole distance 35mm hole ø 4mm ring ø 10.5mm		

hinges

door bearing



1

GEV No.	700844	Ref. No.	SB060420
----------------	--------	-----------------	----------

description	hinge L 34mm W 8mm H 18mm with bolt suitable for VT/VF		
--------------------	--	--	--

equipment feet and end caps

screw-in feet



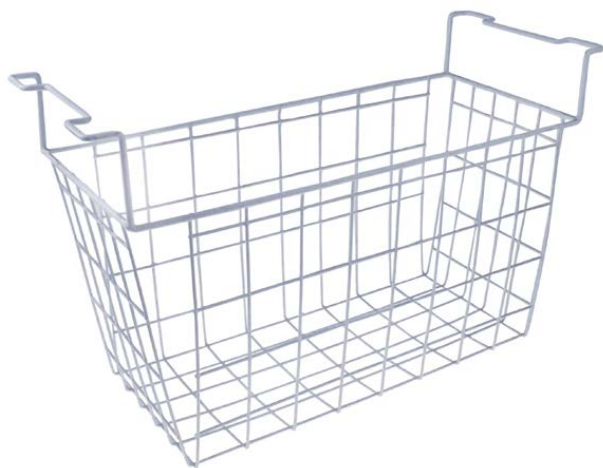
1

GEV No.	701004	Ref. No.	C6025141
----------------	--------	-----------------	----------

description	equipment foot thread M10 thread L 45mm ø 42mm H 63.5mm Qty 1 pcs suitable for S1000		
--------------------	--	--	--

baskets

miscellaneous



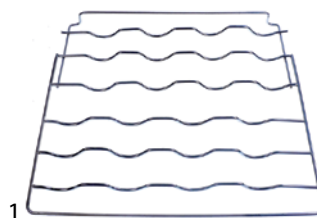
1

GEV No.	692051	Ref. No.	157585
----------------	--------	-----------------	--------

description	grid basket L 550mm W 220mm H 340mm for deep freezer		
--------------------	--	--	--

shelves and shelf rails

bottle racks



1

GEV No.	970657	Ref. No.	CL270M
----------------	--------	-----------------	--------

description	bottle rack mounting pos. upper & center L 493mm H 40mm W 460mm chrome-plated steel		
--------------------	---	--	--

grates

producer-specific



1

GEV No.	970655	Ref. No.	BSF17010
----------------	--------	-----------------	----------

description	grate W 355mm D 305mm H 18mm chrome-plated steel suitable for Mini 4F		
--------------------	---	--	--



1

GEV No.	970656	Ref. No.	AM33620
----------------	--------	-----------------	---------

description	grate W 438mm D 500mm H 20mm plastic-coated wire gauge frame 6mm lengthwise wires gauge 3mm crossing wires 2 white suitable for LG336		
--------------------	---	--	--



1

GEV No.	970702	Ref. No.	ECO1P20
----------------	--------	-----------------	---------

description	grate W 505mm D 405mm H 23mm plastic-coated steel wire gauge frame 6mm lengthwise wires gauge 4mm crossing wires 3 white		
--------------------	--	--	--



1

GEV No.	970658	Ref. No.	CL1000
----------------	--------	-----------------	--------

description	grate W 550mm D 900mm H 35mm plastic-coated steel 4 shelf supports inclusive wire gauge frame 8mm lengthwise wires gauge 3mm crossing wires 3 suitable for S1000		
--------------------	--	--	--

accessories for	970658		
------------------------	--------	--	--



GEV No.	692044	Ref. No.	AM100B32
----------------	--------	-----------------	----------

description	shelf support W 22mm H 18mm L1 31mm L2 30mm		
--------------------	---	--	--



shelf rails and supports

producer-specific



1			
GEV No.	692046	Ref. No.	LG208H11
description	shelf support aluminium		



1			
GEV No.	690969	Ref. No.	B6012054
description	shelf support L 33/28mm W 22mm H 18mm		



1			
GEV No.	692045	Ref. No.	BSF17016
description	shelf support plastic		



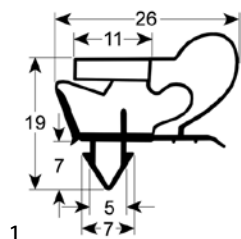
1			
GEV No.	692044	Ref. No.	AM100B32
description	shelf support W 22mm H 18mm L1 31mm L2 30mm		

gaskets

refrigeration gaskets

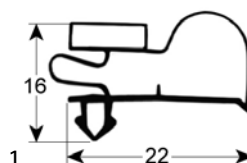
plug-in gaskets

profile 9049

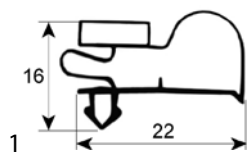


1			
GEV No.	900920	Ref. No.	A6010056
description	refrigeration gasket profile 9049 W 560mm L 775mm plug size		

profile 9011

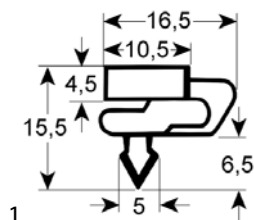


GEV No.	900942	Ref. No.	CVH13030
description	refrigeration gasket profile 9011 W 560mm L 1175mm plug size		



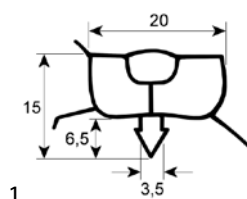
GEV No.	900943	Ref. No.	CVH21032
description	refrigeration gasket profile 9011 W 560mm L 1770mm plug size		

profile 9156



GEV No.	901648	Ref. No.	AM100B46
description	refrigeration gasket profile 9156 W 595mm L 1340mm plug size Qty 1 pcs		

profile 9967



GEV No.	900921	Ref. No.	BG706102 BG706102/1
description	refrigeration gasket profile 9967 W 960mm L 640mm plug size		

evaporators

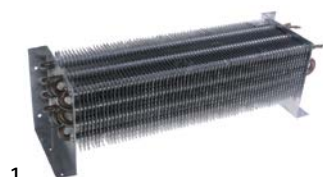
for fridges

producer-specific



1

GEV No.	750273	Ref. No.	9200005049 AC2PT07
description	evaporator L 375mm W 50mm H 330mm		



1

GEV No.	750265	Ref. No.	AM33646
description	evaporator L 458mm W 138mm H 145mm suitable for LG336		



1

GEV No.	750264	Ref. No.	CF100002
description	evaporator L 570mm W 140mm H 150mm with capillary pipe		



1

GEV No.	750266	Ref. No.	A6006060
description	evaporator L 775mm W 105mm H 217mm suitable for S1000		

condensers

condensers



1

GEV No.	750274	Ref. No.	CF100024
description	condenser W 410mm D 110mm H 220mm		

evaporation and condensing trays

evaporation trays



1

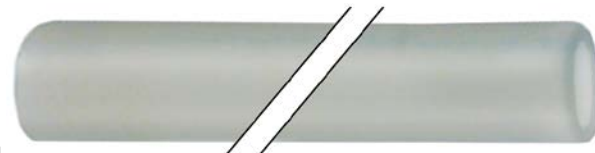
GEV No.	750275	Ref. No.	B6030249
description	evaporation tray L 887mm W 228mm H 40mm for evaporator		

hoses

industrial hoses

silicone hoses

without fabric



1

GEV No.	530053	Ref. No.	7
description	silicone hose ID \varnothing 8mm ED \varnothing 13mm L 1.85m thickness 2.5mm transparent		

A

axial fans 9

C

compressors 6

cross flow fans 10

E

electronic controllers 5

evaporators 16

F

fans 9

fluorescent lamps 4,4

G

grates 14

H

hoses 16

I

industrial hoses 16

L

lamp accessories 4

lamps 4

LED 4

P

plug-in gaskets 15

push/momentary push switches 3

R

refrigeration fans 9

refrigeration gaskets 15

refrigeration motors universal 9

refrigeration thermostats 3

relays 4

S

shelves and shelf rails 14

silicone hoses 16

starter 4

switches and momentary switches 3

T

thermostats 3