



GAS COMPONENTS



ELECTRIC COMPONENTS



WATER TECHNOLOGY



MECHANICAL COMPONENTS



TOOLS

Spare parts suitable for

LÜKON

Find the complete and up-to-date range of products in our GEV Webshop



Manufacturer catalogue

The most important spare parts and accessories arranged clearly for every manufacturer

- ✓ Complete product range and all appliance data always up to date in the GEV Webshop
- ✓ Alphabetical Index at the end of the catalogue

GEV Webshop

www.gev-online.co.uk

www.gev-online.com





- 🔍 Add to Favourites
- 🔍 Sign In with email address and usual password
- 🔍 Easy-order – place several items in your basket at the same time
- 🔍 Quick Item search – no login needed





heating elements

heating elements for rechauds

			
1			
GEV No.	415639	Ref. No.	5-001238 710.17
description	heating element 1200W 230V heating circuits 1 L 255mm W 256mm H 56mm L1 45mm L2 210mm connection distance 248mm tube ø 8.5mm connection male faston 6.3mm dry heating element		


			
1			
GEV No.	418523	Ref. No.	5-000113 5-000976 508TF
description	heating element 200W 115V dry heating element		

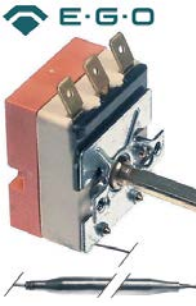
			
1			
GEV No.	418500	Ref. No.	5.000.000032 5-000110 5-000973
description	heating element 200W 230V heating circuits 1 L 335mm W 18mm H 53mm cable length 290mm connection cable dry heating element with mounting strap H1 37mm H2 18mm		

			
1			
GEV No.	415638	Ref. No.	5-001237 705.17
description	heating element 750W 230V heating circuits 1 L 175mm W 260mm H 56mm L1 50mm L2 125mm connection distance 257mm tube ø 8.5mm connection male faston 6.3mm dry heating element		

thermostats


control and safety thermostats

			
1			
GEV No.	375356	Ref. No.	5-000023
description	thermostat t.max. 180°C temperature range 100-180°C 1-pole 1NO 16A probe ø 6mm probe L 98mm capillary pipe 870mm capillary pipe isolatedmm gland nut shaft ø 6x4.6mm shaft L 23mm shaft position upper rotation 270°		

			
1			
GEV No.	375802	Ref. No.	2.0001.00026 2-000024 2-001285
description	thermostat t.max. 85°C temperature range 30-85°C 1-pole 1CO 16A probe ø 6mm probe L 94mm capillary pipe 830mm capillary pipe isolatedmm gland nut shaft ø 6x4.6mm shaft L 23mm shaft position upper* rotation 270°		

switches and momentary switches

push/momentary push switches

			
1			
GEV No.	346598 ¹	Ref. No.	2-000068 2-001325 2-5-1
description	push switch mounting measurements 27.2x22.2mm green 1NO 250V 16A illuminated connection male faston 6.3mm ambient temperature max. 55/120°C protection IP40		

¹illuminated

fuses

thermal fuses



GEV No.	358308	Ref. No.	5-000107 5-000970
description	thermal fuse switch-off temp. 128°C nominalA		

electric accessories

plugs - couplings - power sockets

appliance sockets/plugs

medium temperature appliances 120°C



GEV No.	550707	Ref. No.	2-000154 2-001405 2-4-1
description	medium temperature appliance plug C16 male faston 6.3mm max 10A/250V T120 thermoplastic		

equipment-specific units

for rechauds

warming plates

warming plates



GEV No.	693809	Ref. No.	5-000435 5-001290 Platte, komplett
description	warming plate plate size 280x165x10mm with handle		

consumables

fuses

thermal fuses



GEV No.	358308	Ref. No.	5-000107 5-000970
description	thermal fuse switch-off temp. 128°C nominalA		

A

appliance sockets/plugs 4

C

consumables 4

control thermostats 3

E

electric accessories 4

F

fuses 4, 4

H

heating elements 3

heating elements for rechauds 3

P

plugs - couplings - power sockets 4

push/momentary push switches 3

S

switches and momentary switches 3

T

thermal fuses 4

thermostats 3