



GAS COMPONENTS



ELECTRIC COMPONENTS



WATER TECHNOLOGY



MECHANICAL COMPONENTS



TOOLS

Spare parts suitable for

IRINOX

Find the complete and up-to-date range of products in our GEV Webshop



Manufacturer catalogue

The most important spare parts and accessories arranged clearly for every manufacturer

- ✓ Complete product range and all appliance data always up to date in the GEV Webshop
- ✓ Alphabetical Index at the end of the catalogue

GEV Webshop

www.gev-online.co.uk

www.gev-online.com




- 🔍 Add to Favourites
- 🔍 Sign In with email address and usual password
- 🔍 Easy-order – place several items in your basket at the same time
- 🔍 Quick Item search – no login needed



switches and momentary switches

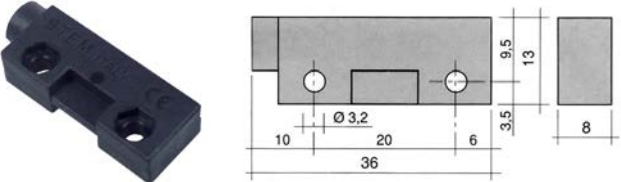
proximity switches

			
1			
GEV No.	348140	Ref. No.	3805020
description	proximity switch probe L 30mm cable length 2940mm M12x1		

magnetic switches

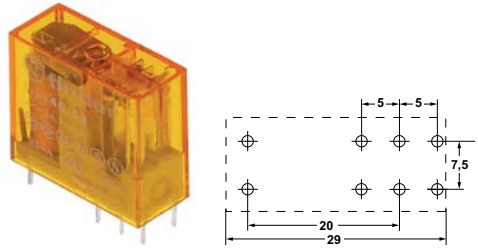
accessories

magnets

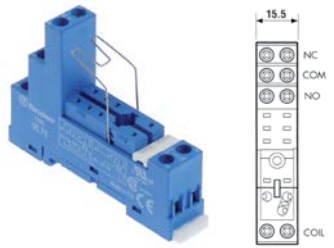

			
1			
GEV No.	345398	Ref. No.	3240150
description	magnet ømm L 36mm H 8mm W 13mm hole distance 20mm M3 hole ø 3mm		

relays

plug-in/print relays

			
1			
GEV No.	381151	Ref. No.	3320320
description	print relay 24VAC 2CO 2-pole at 250V 8A connection pins raster size 5mm FINDER manif. no. 40.52.8.024.0000 95.65/95.75		


relay sockets


			
1			
GEV No.	381181	Ref. No.	3320300
description	relay socket 2-pole 40.51/40.52/40.61 connection screw clamp dimensions 15.8x78.6mm 250V voltage AC 10A FINDER manif. no. 95.75		
accessories for	381181		
		GEV No. 381455 Ref. No. —	
	support bracket		

probes


producer-specific probes

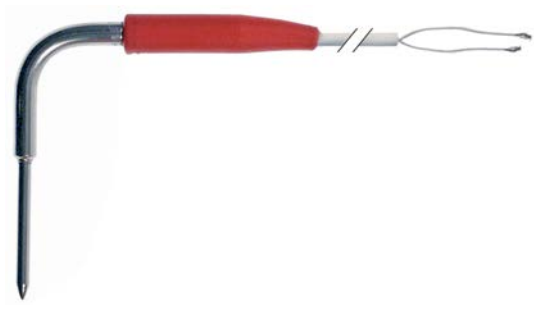
probes


			
1			
GEV No.	378529	Ref. No.	3805520
description	core temperature probe Pt1000 cable silicone probe -40 up to +120°C cable -40 up to +180°C connection 2-wire thread probe ø5x85mm cable length 4.5m		

			
1			
GEV No.	389006	Ref. No.	3805050
description	temperature probe Pt100 cable silicone probe -100 up to 450°C connection 2-wire thread M6 probe ø5x12mm cable length 3.3m		

core probes

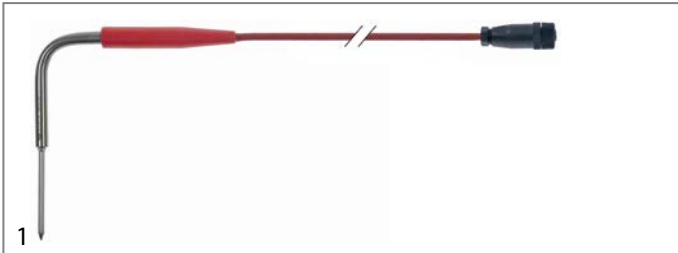
			
1			
GEV No.	378649	Ref. No.	3805060 3805061
description	core temperature probe Pt100 cable silicone connection 2-wire cable length 4.5m handle length 150mm		

			
1			
GEV No.	378237	Ref. No.	3803051
description	core temperature probe Pt100 cable silicone probe -40 up to +120°C cable -50 up to +180°C connection 2-wire probe ø3.5x35mm thread cable length 1.7m handle ø 6mm handle length 120mm L1 70mm L2 35mm		
For models:	A3		

			
1			
GEV No.	379755	Ref. No.	3801050
description	core temperature probe Pt100 cable silicone probe -40 up to +120°C cable -50 up to +180°C connection 3-wire probe ø4x100mm thread cable length 1.9m handle ø 12mm handle length 98mm		



GEV No.	378238	Ref. No.	3805010
description	core temperature probe Pt100 cable silicone probe -40 up to +120°C cable -50 up to +180°C connection plug probe ø4.5x70mm thread cable length 1.3m handle ø 10mm handle length 120mm L1 150mm L2 85mm		



GEV No.	379747	Ref. No.	3805030
description	core temperature probe Pt100 cable silicone probe -40 up to +120°C cable -50 up to +180°C connection plug probe ø5x85mm thread cable length 1.3m handle ø 16mm handle length 100mm		



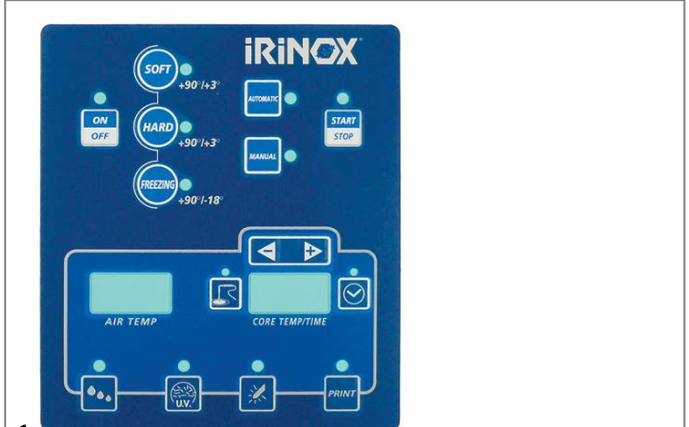
GEV No.	379543	Ref. No.	3801020
description	core temperature probe Pt1000 cable silicone probe -40 up to +120°C cable -50 up to +180°C connection 2-wire probe ø6x100mm thread cable length 1.5m handle ø 12mm handle length 100mm		



GEV No.	401820	Ref. No.	3600501 3600502
description	keypad PCB no probe		

keypads

front foils



GEV No.	403704	Ref. No.	4300000150
description	front foil blast freezer HC 142/70		

solenoid valves

solenoid valves (refrigeration)

CASTEL
valve bodies
STANDARD series

suitable for refrigerants R22, R134a, R404A, R407C, R410A, R507



GEV No.	370386	Ref. No.	2340358
description	solenoid valve body NC type 1078/55 p max 45bar connection 16mm soldering connection DN 12.5mm -35 up to +105°C L 175mm refrigeration straight CASTEL		

accessories for	370386			
	GEV No.	371084	Ref. No.	—
	solenoid coil CASTEL 230VAC 8VA 50/60Hz connection cable 1000mm type CM2			
	GEV No.	371090	Ref. No.	—
	power socket plug type DIN 43650A screw			

Table continues overleaf

electronics

PCBs









GEV No.	401819	Ref. No.	3600500
description	keypad PCB		




GEV No.	401821	Ref. No.	3600570
description	keypad PCB blast freezer A3		
For models:	A3		



accessories for 370386	
	GEV No. 371301 Ref. No. — solenoid coil CASTEL 110VAC 8VA 50/60Hz seat ø 11.5mm connection DIN 43650A type HF2
	GEV No. 371314 Ref. No. — solenoid coil CASTEL 240VAC 8VA 50/60Hz seat ø 11.5mm
	GEV No. 371321 Ref. No. — solenoid coil CASTEL 12/24VAC 50/60Hz seat ø 11.5mm connection DIN 43650A type HF2

spare parts and accessories	
	1
GEV No. 371042	Ref. No. 2341023
description	solenoid coil CASTEL 24VAC 8VA 50/60Hz seat ø 11.5mm connection DIN 43650A type HM2
accessories for 371042	
	GEV No. 371090 Ref. No. — power socket plug type DIN 43650A screw
	GEV No. 371092 Ref. No. — power socket plug type DIN large cable length 1000mm

pressure switches for refrigeration

SAGI NO MIYA	
	1
GEV No. 541613	Ref. No. 23421101
description	pressure control p max 45bar type ACB-2UC85W switch-off pressure 25bar switch-on pressure 20bar

compressors

EMBRACO / ASPERA

R404a/R507

LBP monophase

Lower evaporation temperature below -20°C

	1
GEV No. 605186	Ref. No. 2500143
description	compressor coolant R404a/R507 type NEK2150GK 220-240V 50Hz LBP 11.6kg 1/2HP cylinder capacity 12.12cm ³ CSIR H 206mm 408W 522W 657W 814W 995WWWWWW test method EN 12900

	1
GEV No. 605164	Ref. No. 2500135
description	compressor coolant R404a/R507 type NT2178GK 220-240V 50Hz LBP 17kg 1HP cylinder capacity 17.4cm ³ CSR H 220mm 442W 610W 808W 1032W 1285W 1565WWWWWW

	1
GEV No. 605078	Ref. No. 2500132
description	compressor coolant R404a/R507 type NT2180GK 220-240V 50Hz LBP fully hermetic 17.3kg 1HP cylinder capacity 20.44cm ³ CSIR H 221mm 515W 598W 682W 769W 859W 956WWWWWW test method ASHRAE



L'UNITE HERMETIQUE / TECUMSEH

R404A

LBP monophase

Lower evaporation temperature below -20°C



GEV No.	605136	Ref. No.	2500960
description	compressor coolant R404A type CAJ2464Z 220-240V 50Hz LBP fully hermetic 21.5kg 1.5HP cylinder capacity 34.5cm ³ CSR H 282mm 1108W 1579W 1850W 2317W 2855WWWWW test method EN 12900 820W		

SECOP DANFOSS

R404a/R507

LBP monophase


Lower evaporation temperature below -20°C




GEV No.	605058	Ref. No.	2500026
description	compressor coolant R404a/R507 type SC15CL 220-240V 50Hz LBP fully hermetic 13.8kg 1/2HP cylinder capacity 15.28cm ³ CSIR H 219mm 486W 637W 813W 1017W 1251W 1699WWWWW test method ASHRAE 175W 358W		

For models: A3

spare parts for 605058

GEV No.	380058	Ref. No.	—
	start relay DANFOSS 117U6019/F278 HST		

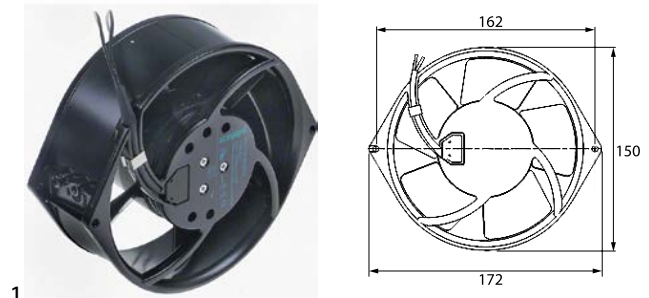


GEV No.	605056	Ref. No.	2500027
description	compressor coolant R404a/R507 type SC18CLX.2 220-240V 50Hz LBP fully hermetic 13.7kg 5/8HP cylinder capacity 17.69cm ³ CSR H 219mm 562W 691W 881W 1095W 1332W 1593WWWWW test method ASHRAE		
spare parts for	605056		
	GEV No.	381548	Ref. No.
	start relay DANFOSS		

fans

axial fans

ebm-papst



GEV No.	601631 ¹	Ref. No.	270370000
description	axial fan L 172mm W 150mm H 55mm 230VAC 50Hz 47W bearing ball bearing connection cable 330mm manuf. no. 7450ES ebm-papst		

¹with ball bearings

refrigeration fans

cold air circulating fans (complete)

ebm-papst

A2E series

1

GEV No.	601535	Ref. No.	270222500
description	fan A2E200-AH38-01 fan wheel ø 200mm blades 9 230V 60Hz 78W 2600rpm cable length 450mm ebm-papst sucking suitable capacitor 1.5µF		
For models:	A3		
spare parts for	601535		
	GEV No.	365008	Ref. No. —
	operating capacitor capacity 1.5µF 400V tolerance 5% 50/60Hz ambient temperature max. -25 to +85°C ø 25mm L 75mm M8 aluminium connection cable 300mm MKP protection IP65		

A3G series

1

GEV No.	602050	Ref. No.	270343010
description	fan A3G300-AH13-10 fan wheel ø 300mm blades 5 230V 50/60Hz 77W 1640rpm connection cable 3000mm sucking		

A4E series

1


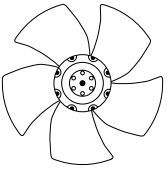
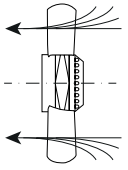
GEV No.	601684	Ref. No.	270343005
description	fan A4E350-AA06-54 fan wheel ø 350mm blades 5 230V 50/60Hz 145W 1380/1540rpm cable length 450mm ebm-papst blowing suitable capacitor 5µF/400VµF		

1


GEV No.	601618	Ref. No.	270222504
description	fan A4E250-AA04-01 fan wheel ø 250mm blades 5 230V 50Hz 32W 1420rpm cable length 300mm ebm-papst sucking suitable capacitor 1µF		
accessories for	601618		
	GEV No.	601954	Ref. No. 2783100
	guard ebm-papst for fan wheel ø 250mm ø 280mm hole distance 300mm H 55mm		

1


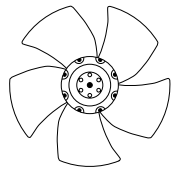
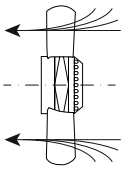
GEV No.	601621	Ref. No.	270233124
description	fan A4E315-AA05-01 fan wheel ø 315mm blades 5 230V 50Hz 148W 1490rpm cable length 450mm ebm-papst sucking suitable capacitor 3µF with capacitor		
spare parts for	601621		
	GEV No.	365137	Ref. No. 2781020
	capacitor capacity 3µF 450V tolerance 5% 50/60Hz ambient temperature max. -25 to +85°C ø 25mm L 56mm M8 plastic connection cable 250mm 416.17.77GF protection		
accessories for	601621		
	GEV No.	602087	Ref. No. —
	guard ebm-papst for fan wheel ø 310mm ø 340mm hole distance 270mm H 80mm		


1


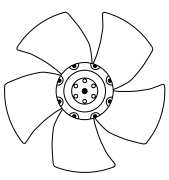
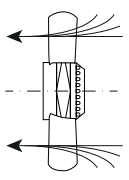
GEV No.	601623	Ref. No.	270223125
description	fan A4E315-AC08-19 fan wheel ø 315mm blades 5 230V 50Hz 95W 1370rpm cable length 450mm ebm-papst sucking suitable capacitor 3µF		
accessories for	601623		
	GEV No.	365137	Ref. No. 2781020
description	capacitor capacity 3µF 450V tolerance 5% 50/60Hz ambient temperature max. -25 to +85°C ø 25mm L 56mm M8 plastic connection cable 250mm 416.17.77GF protection		

R2E series

1

GEV No.	601536	Ref. No.	27450100
description	fan R2E190-A026-73 fan wheel ø 190mm blades 6 230V 50/60Hz 58/75W ø 190mm H 70mm 2700rpm cable length 450mm rotation direction right ebm-papst sucking suitable capacitor 2µF		
spare parts for	601536		
	GEV No.	365170	Ref. No. —
description	capacitor capacity 2µF 425V tolerance 5% 50/60Hz ambient temperature max. -25 to +85°C ø 25mm L 49mm M8 plastic connection cable 250mm 416.17.74 protection		

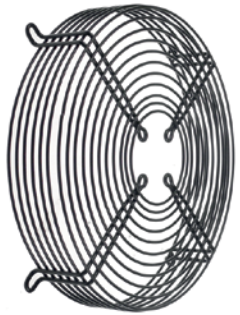




1

GEV No.	601625	Ref. No.	270223310
description	fan A4E330-AP18-01 fan wheel ø 330mm blades 5 230V 50Hz 110W 1400rpm cable length 450mm ebm-papst sucking suitable capacitor 4µF		


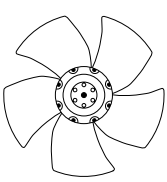
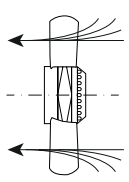
accessories

fan guards




1

GEV No.	601954	Ref. No.	2783100
description	guard ebm-papst for fan wheel ø 250mm ø 280mm hole distance 300mm H 55mm		


1

GEV No.	601626	Ref. No.	270223507
description	fan A4E350-AN19-01 fan wheel ø 350mm blades 5 230V 50Hz 158/200W 1270rpm cable length 450mm ebm-papst sucking suitable capacitor 4µF		
accessories for	601626		
	GEV No.	601950	Ref. No. —
description	guard ebm-papst for fan wheel ø 350mm ø 375mm hole distance 300mm H 80mm		

condensators & interference suppression filters

operating capacitors

plastic



1

GEV No.	365137	Ref. No.	2781020
description	capacitor capacity 3µF 450V tolerance 5% 50/60Hz ambient temperature max. -25 to +85°C ø 25mm L 56mm M8 plastic connection cable 250mm 416.17.77GF protection		



locks

edgemount latches

door catches

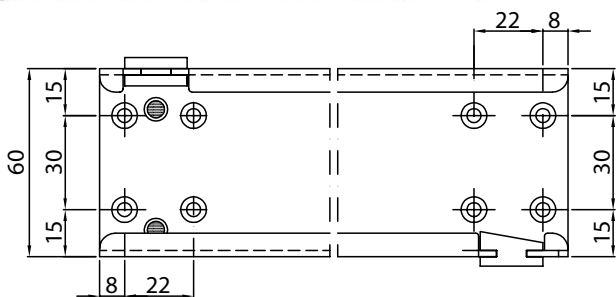


GEV No.	690123	Ref. No.	C221120
description	door catch with roller		

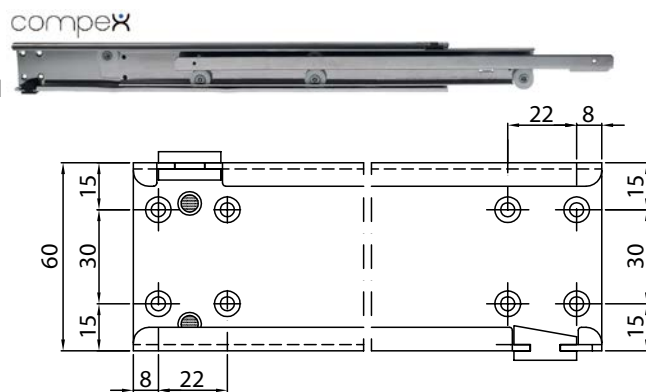
pullouts

drawer slides

universal



GEV No.	696715	Ref. No.	18100198	
description	drawer slide L 500mm pull-out length 490mm total length 990mm Qty 1 pair capacity 60kg H 60mm SS telescopic			
spare parts for	696715			
	GEV No.	690750	Ref. No.	—
	stop for telescopic rail L 20mm plastic H 12mm D 9mm			
	GEV No.	696333	Ref. No.	—
	stop for telescopic rail L 20mm plastic H 15mm D 8mm			



GEV No.	696716	Ref. No.	18100201	
description	drawer slide L 550mm pull-out length 540mm total length 1090mm Qty 1 pair capacity 60kg H 60mm SS telescopic			
spare parts for	696716			
	GEV No.	690750	Ref. No.	—
	stop for telescopic rail L 20mm plastic H 12mm D 9mm			
	GEV No.	696333	Ref. No.	—
	stop for telescopic rail L 20mm plastic H 15mm D 8mm			

gaskets

refrigeration gaskets

plug-in gaskets

profile 9048

We offer custom-made gaskets for this profile

	GEV No.	901811	Ref. No.	1010520
	description	refrigeration gasket profile 9048 W 350mm L 490mm plug size		
	For models:	A3		

	GEV No.	901227	Ref. No.	1010102
	description	refrigeration gasket profile 9048 W 400mm L 660mm plug size for blast chiller		

GEV No.	901226	Ref. No.	1010100
description	refrigeration gasket profile 9048 W 401mm L 663mm plug size		

GEV No.	900884	Ref. No.	1010101
description	refrigeration gasket profile 9048 W 406mm L 654mm plug size		

GEV No.	901223	Ref. No.	1010120
description	refrigeration gasket profile 9048 W 697mm L 1053mm plug size for blast chiller		

GEV No.	901224	Ref. No.	1010126
description	refrigeration gasket profile 9048 W 697mm L 822mm plug size for blast chiller		

GEV No.	901225	Ref. No.	N/A
description	refrigeration gasket profile 9048 W 734mm L 908mm plug size for blast chiller		

GEV No.	902205	Ref. No.	1010301
description	refrigeration gasket profile 9048 W 735mm L 1895mm plug size		

GEV No.	902206	Ref. No.	1010181
description	refrigeration gasket profile 9048 W 860mm L 1920mm plug size		

GEV No.	902258	Ref. No.	N/A
description	refrigeration gasket profile 9048 Wmm L 2500mm		

profile 9704

We offer custom-made gaskets for this profile

GEV No.	902445	Ref. No.	1010355
description	refrigeration gasket profile 9704 W 740mm L 920mm plug size		

profile 9794

We offer custom-made gaskets for this profile

GEV No.	902204	Ref. No.	1010103
description	refrigeration gasket profile 9794 W 420mm L 705mm plug size		



GEV No.	902189	Ref. No.	1010127
description	refrigeration gasket profile 9794 W 703mm L 833mm plug size Qty 1		

GEV No.	901335	Ref. No.	1010352
description	refrigeration gasket profile 9794 W 740mm L 920mm plug size		

GEV No.	901628	Ref. No.	1011320
description	refrigeration gasket profile 9794 W 885mm L 1993mm plug size		

refrigeration cycle components

valves

expansion valves

DANFOSS

valves

type TX2/TEX2

GEV No.	750011	Ref. No.	23600222
description	expansion valve DANFOSS type TEX2 coolant R22/R407c angled 90° thermostatically controlled inlet 3/8" SAE outlet 3/8" SAE 1/4" p max 34bar -40 up to +10°C capillary pipe 1500mm		

nozzle inserts

GEV No.	750021	Ref. No.	2361000
description	nozzle insert size 00 type 068-2003 T/TE 2 DANFOSS		

GEV No.	750022	Ref. No.	2361001
description	nozzle insert size 01 type 068-2010 T/TE 2 DANFOSS		

GEV No.	750023	Ref. No.	2361002
description	nozzle insert size 02 type 068-2015 T/TE 2 DANFOSS		

GEV No.	750024	Ref. No.	2361003
description	nozzle insert size 03 type 068-2006 T/TE 2 DANFOSS		

GEV No.	750483	Ref. No.	2361004
description	nozzle insert size 04 type 068-2007 T2/TE2 DANFOSS		

GEV No.	750484	Ref. No.	2361005
description	nozzle insert size 05 type 068-2008 T2/TE2 DANFOSS		

GEV No.	750485	Ref. No.	2361006
description	nozzle insert size 06 type 068-2009 T2/TE2 DANFOSS		

filter driers

DANFOSS



1

GEV No.	750031	Ref. No.	23310142
description	dryer connection 7/16" UNF (1/4" SAE) 41cm ³ p max 46bar -40 up to +70°C 202g type DML 032S size 3 cubic inches		
For models:	A3		

evaporators

for fridges

producer-specific



1

GEV No.	750203	Ref. No.	40200010
description	evaporator L 430mm W 65mm H 350mm total length 500mm overall width 130mm overall height 350mm connection ø7/ø15mm		

A

axial fans 6

C

cold air circulating fans (complete) 7

compressors 5

condensators & interference suppression filters 8

D

door catches 9

E

edgemount latches 9

evaporators 12

expansion valves 11

F

fans 6

filter driers 12

M

magnetic switches 3

O

operating capacitors 8

P

plug-in gaskets 9

pressure switches 5

probes 3

R

refrigeration cycle components 11

refrigeration fans 7

refrigeration gaskets 9

relays 3

S

solenoid valves 4

switches and momentary switches 3