



GAS COMPONENTS



ELECTRIC COMPONENTS



WATER TECHNOLOGY



MECHANICAL COMPONENTS



TOOLS

Spare parts suitable for

INOMAK

Find the complete and up-to-date range of products in our GEV Webshop



Manufacturer catalogue

The most important spare parts and accessories arranged clearly for every manufacturer

- ✓ Complete product range and all appliance data always up to date in the GEV Webshop
- ✓ Alphabetical Index at the end of the catalogue

GEV Webshop

www.gev-online.co.uk

www.gev-online.com

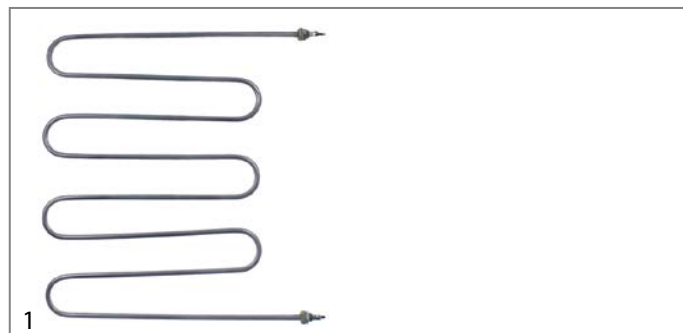





- 🔍 Add to Favourites
- 🔍 Sign In with email address and usual password
- 🔍 Easy-order – place several items in your basket at the same time
- 🔍 Quick Item search – no login needed

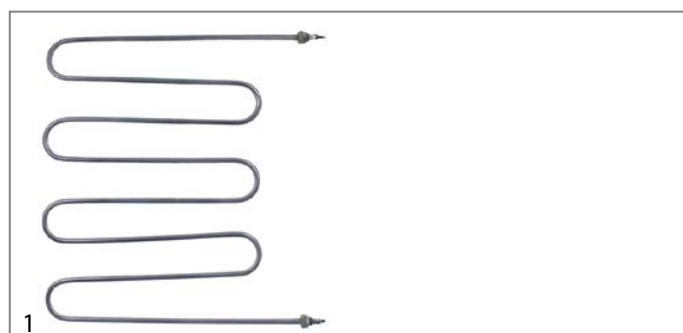




heating elements

heating elements for bain maries



GEV No.	420033	Ref. No.	24500040100070 34500040100070 PAMP070
description	heating element 1300W 230V heating circuits 1 L 385mm W 440mm connection M4 tube ø 8.5mm thread 1/4" dry heating element bain marie mounting distance 432mm		
For models:	MD718, MF718, MH718, MI718		
accessories for	420033		
	GEV No.	361182	Ref. No. —
	nut thread 1/4" H 5mm nickel-plated brass WS 17 Qty 1 pcs		
	GEV No.	510417	Ref. No. —
	flat gasket fibre ED ø 20mm ID ø 14mm thickness 2mm Qty 1 pcs		
	GEV No.	560340	Ref. No. —
	hexagonal nut thread M4 H 3.2mm WS 7 SS DIN/ISO DIN 934 / ISO 4032/8673 Qty 1 pcs		



GEV No.	420032	Ref. No.	24500040100541 34500040100541 PAMP541
description	heating element 2000W 230V heating circuits 1 L 385mm W 440mm connection M4 tube ø 8.5mm thread 1/4" dry heating element bain marie mounting distance 432mm		
For models:	MA610, MA614, MA67, MB610, MB614, MB67, MD711, MD714, MF711, MF714, MH711, MH714, MI711, MI714		
accessories for	420032		
	GEV No.	361182	Ref. No. —
	nut thread 1/4" H 5mm nickel-plated brass WS 17 Qty 1 pcs		
	GEV No.	510414	Ref. No. —
	flat gasket copper ED ø 18mm ID ø 14mm thickness 1mm		

heating elements for refrigeration

heating elements for defrosting



GEV No.	420024	Ref. No.	34500040100660 PADR660
description	heating element 150W 230V L 190mm W 215mm Hmm L1 30mm L2 160mm W1 180mm W2 35mm cable length 1500mm tube ø 6.5mm refrigeration		
For models:	CA170, CA170SL, CB170, CB170SL, CE2140, CE2140SL, CF2140, CF2140SL, CW2140, CZ170		



GEV No.	420023	Ref. No.	24500040100600 34500040100600 PAER600
description	heating element 300W 230V L 405mm W 110mm L1 35mm L2 370mm W1 50mm W2 60mm cable length 700mm tube ø 6.5mm refrigeration for evaporator		
For models:	CF2140, CF2140SL, CW2140		




GEV No.	420021	Ref. No.	24500040100601 34500040100601 PAER601
description	heating element 420W 230V L 685mm W 120mm L1 35mm L2 650mm W1 50mm W2 70mm cable length 1500mm tube ø 6.5mm refrigeration for evaporator		
For models:	CB170, CB170SL, CZ170		





GEV No.	420020	Ref. No.	24500040100688 PAER688
description	heating element 700W 230V L 490mm W 100mm L1 28mm L2 462mm W1 70mm W2 30mm cable length 700mm tube ø 6.5mm refrigeration for evaporator		
For models:	CB170, CB170SL, CZ170		





heating elements for convection

			
1			
GEV No.	420035	Ref. No.	24500040100735 34500040100735 PBA735
description	heating element 1400W 230V heating circuits 1 ID ø 180mm ED ø 198mm L 215mm H 51mm thread 1/4" connection M4 mounting distance 38mm tube ø 8.5mm		
For models:	GE711, GE714		

			
1			
GEV No.	420034	Ref. No.	24500040100732 34500040100732 PBA732
description	heating element 1800W 230V heating circuits 1 ID ø 180mm ED ø 198mm L 215mm H 51mm thread 1/4" connection M4 mounting distance 38mm tube ø 8.5mm		
For models:	GE716, GE719, MH711, MH714, MH718, MI711, MI714, MI718		

			
1			
GEV No.	420270	Ref. No.	34500040100688
description	heating element 700W 230V L 490mm W 40mm H 60mm cable length 700mm tube ø 6.5mm immersion heater defrosting		


			
1			
GEV No.	420022	Ref. No.	24500040100689 34500040100689 PAER689
description	heating element 900W 230V L 685mm W 110mm L1 32mm L2 653mm W1 70mm W2 40mm cable length 700mm tube ø 6.5mm refrigeration for evaporator		
For models:	CF2140, CF2140SL, CW2140		


			
1			
GEV No.	420025	Ref. No.	24500040100191 34500040100191 PADR191
description	heating element L 120mm W 320mm Hmm L1 30mm L2 90mm W1 280mm W2 40mm cable length 710/930mm tube ø 6.5mm refrigeration		
For models:	CA170, CB170, CE2140, CF2140		


heating cables

connection on both sides

with wire end ferrules

			
1			
GEV No.	420027	Ref. No.	24500040100015 34500040100015 PAAE015
description	heating cable 19W 12V L 2500mm L1 (unheated) 1000mm L2 (heated) 1500mm for defrost drain ø 3mm		
For models:	CB170, CB170SL, CF2140, CF2140SL		


			
1			
GEV No.	420026	Ref. No.	34500040100973 PAPE973
description	heating cable 43.2W 230V L 6200mm L1 (unheated) 800mm L2 (heated) 5400mm door frame heating ø 3mm Qty 1		

			
1			
GEV No.	420517	Ref. No.	34000040100340 34500040100971 PAPE340
description	heating cable 75W 12V L 6200mm L1 (unheated) 800mm L2 (heated) 5400mm door frame heating ø 3mm Qty 1		
For models:	CB170, CB170SL, CF2140, CF2140SL		

thermostats

bi-metal thermostats

bi-metal thermostats

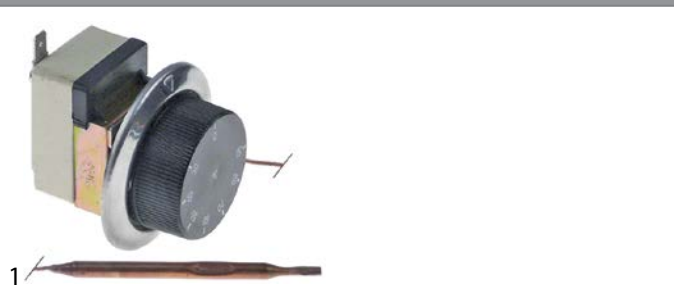
			
1			
GEV No.	390715	Ref. No.	24500040100500 34500040100500 PHCU500
description	bi-metal thermostat switch-off temp. 110°C NC 1-pole 16A 250V connection F6.3		
For models:	GE711, GE714, GE716, GE719, MH711, MH714, MH718, MI711, MI714, MI718		



control and safety thermostats

IMIT / TEMPOMATIC / ARTERMO

control thermostats



GEV No.	390713	Ref. No.	24500040100152 34500040100152 PTMM152
description	thermostat t.max. 100°C temperature range 30-90°C 1-pole 1NC 16A probe ø 6mm probe L 98mm capillary pipe 900mm capillary pipe isolatedmm gland nut shaft ø 6x4.6mm shaft L 18mm shaft position upper rotation 270° probe material copper		
For models:	GE711, GE714, GE716, GE719, MA610, MA614, MA67, MB610, MB614, MB67, MD711, MD714, MD718, MF711, MF714, MF718, MH711, MH714, MH718, MI711, MI714, MI718		

switches and momentary switches

rocker/momentary rocker switches

30x11mm




GEV No.	301039	Ref. No.	24500040100295 34500040100295 PDOF295
description	rocker switch mounting measurements 30x11mm red 1NO/indicator light 250V 16A connection male faston 6.3mm		
For models:	BS7300, MB610, MB614, MB67, MF711, MF714, MF718, MI711, MI714, MI718, ZQ99, ZQ999		

30x22mm



GEV No.	301001	Ref. No.	24500040100290 34500040100290 PDMO290
description	rocker switch mounting measurements 30x22mm red 2NO 250V 16A illuminated 0-I connection male faston 6.3mm ambient temperature max. 125/55°C protection IP65		
For models:	BP7300, BS7300, BS77, CA170, CB170, CE2140, CF2140, PM99, PM999, PM9999, PN2229, PN229, PN29, PN99, PN999, PN9999, WV179, WV224, ZQ99, ZQ999		

accessories for	301001		
	GEV No.	301036	Ref. No. —
	protective cover internal size 30x22mm for rocker switch mounting measurementsmm		

toggle switches

M12x0.75



GEV No.	346526	Ref. No.	24500040100960 34500040100960 PDOF960
description	toggle switch thread M12x0.75 1CO 250V 15A ON-ON male faston 6.3mm		
For models:	BS7300, MB610, MB614, MB67, MF711, MF714, MF718, MI711, MI714, MI718, ZQ99, ZQ999		



GEV No.	347344	Ref. No.	24500040100161 34500040100161 PDOF161
description	toggle switch thread M12x0.75 1NO 250V 15A male faston ON-OFF		
For models:	MB610, MB614, MB67, MF711, MF714, MF718, MI711, MI714, MI718		

microswitches

lever actuated



GEV No.	347346	Ref. No.	24500040100503 34500040100503 PTDR503
description	microswitch with lever 250V 16A 1CO connection screw ambient temperature max. 125°C lever length 147mm		
For models:	CB170, CF2140		

with push button

switches with snap-fit



GEV No.	347347	Ref. No.	24500040100729 34500040100729 PTDR729
description	microswitch with push button 250V 5A 1NO connection male faston 4.8mm L 29x25mm ambient temperature max. 85°C		
For models:	CB170, CB170SL, CF2140, CF2140SL		



lamps

indicator lights

indicator lights 3-piece (housing, lens and bulb)

lamps

light bulbs




1			
GEV No.	359752	Ref. No.	24500040100158 34500040100158 PEL158
description	light bulb socket E10 220V ø 10mm L 26mm		
For models:	MA610, MA614, MA67, MB610, MB614, MB67, MD711, MD714, MD718, MF711, MF714, MF718, MH711, MH714, MH718, MI711, MI714, MI718		

indicator lights (complete)

ø18mm



1			
GEV No.	359751	Ref. No.	24500040100155 34500040100155 PEL155
description	indicator light housings mounting measurements 18mm socket E10 red connection male faston 6.3mm/screw connection		
For models:	MA610, MA614, MA67, MB610, MB614, MB67, MD711, MD714, MD718, MF711, MF714, MF718, MH711, MH714, MH718, MI711, MI714, MI718		
accessories for	359751		
	GEV No.	359752	Ref. No.
			light bulb socket E10 220V ø 10mm L 26mm

screw-on/push-on fit

light bulbs


for indicator lights



1			
GEV No.	359752	Ref. No.	24500040100158 34500040100158 PEL158
description	light bulb socket E10 220V ø 10mm L 26mm		
For models:	MA610, MA614, MA67, MB610, MB614, MB67, MD711, MD714, MD718, MF711, MF714, MF718, MH711, MH714, MH718, MI711, MI714, MI718		

linear lamps

halogen lamps

1			
GEV No.	359313	Ref. No.	24500040100040 34500040100040 PLH040
description	halogen lamp socket R7s L 117.6mm 230V 150W IMPORT		
For models:	MB610, MB614, MB67, MF711, MF714, MF718, MI711, MI714, MI718		

sockets for linear lamps

R7s




1			
GEV No.	359753 ¹	Ref. No.	24500040100705 34500040100705 PREF705
description	lamp socket socket R7 mounting measurements 146x60mm ømm for length of lamp 117.6mm H 62mm connection cable 450mm mounting distance 175mm with glass plate hot bar 184		
For models:	MB610, MB614, MB67, MF711, MF714, MF718, MI711, MI714, MI718		


¹only suitable for linear halogen lamps up to max. 160W

fluorescent lamps

fluorescent lamps


G5

1			
GEV No.	359745	Ref. No.	24500040100052 34500040100052 PLF052
description	fluorescent lamp socket T5 L 560mm 18W ø 16mm 230V Qty 1 pcs		
For models:	BS7300, ZQ99		

1			
GEV No.	359746	Ref. No.	24500040100050 34500040100050 PLF050
description	fluorescent lamp socket T5 L 860mm 21W ø 16mm 230V Qty 1 pcs		
For models:	ZQ999		



complete with holder




1

GEV No.	359743	Ref. No.	24500040100668 34500040100668 PLFC668
description	fluorescent lamp socket T5 L 570mm W 43mm 13W 240V		
For models:	BS7300, ZQ99		




1

GEV No.	360760	Ref. No.	34002450000228 PLDLC0228
description	fluorescent lamp socket T5 L 600mm		



1

GEV No.	360761	Ref. No.	34002450000229 PLDLC0229
description	fluorescent lamp socket T5 L 900mm type PLDLC0229		




1

GEV No.	359744	Ref. No.	24500040100657 34500040100657 PLFC657
description	fluorescent lamp socket T5 L 900mm W 42mm 21W 230V plug type male/female without switch with mounting clips		
For models:	ZQ999		

accessories


starter



1

GEV No.	380464	Ref. No.	24500040100166 34500040100166 PSTR166
description	starter 4-65W		
For models:	BS7300, MB610, MB614, MB67, MF711, MF714, MF718, MI711, MI714, MI718, ZQ99, ZQ999		

ballasts




1

GEV No.	402563	Ref. No.	24500040100153 34500040100153 P-ML-153
description	electrical ballast 40W 230V for fluorescent lamps		
For models:	BS7300, MB610, MB614, MB67, MF711, MF714, MF718, MI711, MI714, MI718, ZQ99, ZQ999		

transformers

open transformers

with cable connection




1

GEV No.	403790	Ref. No.	34500040100354
description	transformer primary 220 secondary 12 0.08kW H 75mm L 99mm W 84mm connection cable		

encapsulated transformers

PMA



1

GEV No.	379054	Ref. No.	24500040100717 34500040100717 PMET717
description	transformer primary 230VAC secondary 12VAC 3VA secondary 0.25A H 40mm L 45mm W 50mm connection screw 50/60Hz type 153/M		
For models:	CB170, CB170SL, CF2140, CF2140SL, CW2140, CZ170		



electronic controllers

KIOUR

universal controllers

built-in version





1

GEV No.	379491	Ref. No.	24500040100696 34500040100696 PKBM696
description	electronic controller KIOUR mounting measurements 71x29mm 230V voltage AC PTC relay outputs 2 -19 up to +99°C display 2 digit REF-BERI-SM V2 12A 30A		
For models:	GE711, GE714, GE716, GE719, MA610, MA614, MA67, MB610, MB614, MB67, MD711, MD714, MD718, MF711, MF714, MF718, MH711, MH714, MH718, MI711, MI714, MI718		

built-in version 2-piece



1







GEV No.	379754	Ref. No.	34500040100377+34500040100379 34500040100378 REF-BERI-EXR+PKUR377
description	electronic controller KIOUR type REF-BERI-ExR mounting measurements 71x29mm 230V voltage AC PTC relay outputs 2 NO-12A NO-30A PTC DI built-in depthmm -19 up to +99°C display 2 digit		
spare parts for	379754		
	GEV No.	380867	Ref. No. —
	relay SHANGFANG 12VDC 30A 1NO connection male faston 6.3mm screw mounting at 250V 30A manuf. no. 855AW-1A-C1		
accessories for	379754		
	GEV No.	380867	Ref. No. —
	relay SHANGFANG 12VDC 30A 1NO connection male faston 6.3mm screw mounting at 250V 30A manuf. no. 855AW-1A-C1		


refrigeration controllers

built-in version



1


GEV No.	379494	Ref. No.	24500029100714 34500029100714 PKUR714
description	electronic controller KIOUR type REF-DF-SM V4.2 mounting measurements 71x29mm 230V voltage AC PTC relay outputs 3 NO-25A NO-5A NO-5A PTC level sensor front measurementsmm built-in depth 76mm protection IP44 accuracy 1% built-in version defr. funct. -19 up to +99°C display 2½ digit		
For models:	BP7300, BS7300, BS77, CA170, CA170SL, CE2140, CE2140SL, PM99, PM999, PM9999, PN2229, PN229, PN99, PN999, PN9999, WV179, WV224, ZQ99, ZQ999		
accessories for	379494		
	GEV No.	378067	Ref. No. —
	temperature probe PTC 1kOhm cable silicone probe -50 up to +150°C cable -50 up to +180°C probe ø6x40mm cable length 2m without screw connection 2-wire		
	GEV No.	378068	Ref. No. —
	temperature probe PTC 1kOhm cable silicone probe -50 up to +150°C cable -50 up to +180°C probe ø6x40mm cable length 7m without screw connection 2-wire		
	GEV No.	378069	Ref. No. —
	temperature probe PTC 1kOhm cable silicone probe -50 up to +150°C cable -50 up to +180°C probe ø6x40mm cable length 15m without screw connection 2-wire		
	GEV No.	378070	Ref. No. —
	temperature probe PTC 1kOhm cable silicone probe -50 up to +150°C cable -50 up to +180°C probe ø6x40mm cable length 30m without screw connection 2-wire		
	GEV No.	379052	Ref. No. —
	temperature probe PTC 1kOhm cable silicone probe -50 up to +150°C cable -50 up to +180°C probe ø6x40mm cable length 1.5m without screw connection 2-wire		
	GEV No.	379064	Ref. No. —
	temperature probe PTC 1kOhm cable silicone probe -50 up to +150°C cable -50 up to +180°C probe ø6x40mm cable length 3m without screw connection 2-wire		

1


GEV No.	379847 ¹	Ref. No.	34000094000467 34500029100713 PETS467 PLDU713
description	electronic controller KIOUR type REF-DF-SM V4.2 mounting measurements 71x29mm 230V voltage AC PTC relay outputs 3 NO-25A NO-5A NO-5A PTC level sensor front measurementsmm built-in depth 76mm protection IP54 accuracy 1% built-in version 1x PTC probe inclusive defr. funct. -19 up to +99°C display 2½ digit		
For models:	BP7300, BS7300, BS77, CA170, CE2140, PM99, PM999, PM9999, PN2229, PN229, PN29, PN99, PN999, PN9999, WV179, WV224, ZQ99, ZQ999		

¹incl. 1x PTC probe




2

GEV No.	379493	Ref. No.	24500029100715 34500029100715 PKUR715
description	electronic controller KIOUR type REF-FR-SM V2.0 mounting measurements 71x29mm 12V voltage AC/DC PTC relay outputs 5 NO-25A NO-5A NO-5A NO-5A NO-5A PTC PTC DI level sensor front measurementsmm built-in depth 76mm protection IP44 accuracy 1% built-in version defr. funct. -19 up to +99°C display 2½ digit		
For models:	CB170, CB170SL, CF2140, CF2140SL, CW2140, CZ170		



1

GEV No.	389008	Ref. No.	34002450000104 PKUR0104
description	electronic controller KIOUR type RSD3 mounting measurements 71x29mm 230V voltage AC PTC relay outputs 3 NO-25A NO-10A NO-10A PTC DI front measurements 59x89mm built-in depth 76mm built-in version yes defr. funct. yes -50 up to +150°C display 3 digits		



1

GEV No.	389000	Ref. No.	3400029100555 P-KUR-555
description	electronic controller KIOUR type RSD-TOUCH mounting measurements 71x29mm 230V voltage AC PTC relay outputs 3 NO-25A NO-10A NO-10A PTC DI level sensor front measurements 59x89mm built-in depth 76mm protection IP54 built-in version yes defr. funct. -19 up to +99°C display 3 digits		



1

GEV No.	389007	Ref. No.	34002450000105 PKUR0105
description	electronic controller KIOUR type RSP4 mounting measurements 71x29mm 230V voltage AC PTC relay outputs 4 NO-10A NO-25A NO-3A NO-3A PTC DI PTC front measurements 59x89mm built-in depth 76mm protection IP54 built-in version yes defr. funct. yes -50 up to +100°C display 3 digits		

built-in version 2-piece



1

GEV No.	379492	Ref. No.	24500029100459 34500029100459 P-KUR-459
description	control element KIOUR type REF-FR-SP mounting measurements 71x29mmV voltage relay outputs front measurementsmm built-in depth 76mm protection IP54 accuracy 1% built-in version defr. funct.°C display 3 digits		
For models:	CB170, CB170SL, CF2140, CF2140SL, CW2140, CZ170		
accessories for	379492		
	GEV No.	400339	Ref. No.
	 ribbon cable 16-pole L 460mm plug type 2 row Qty 1m		



GEV No.	389001	Ref. No.	34500029100750 PKUR750
description	control element KIOUR type REF-FR-SP-TOUCH mounting measurements 71x29mmV voltage relay outputs front measurements 88x60mm defr. funct.°C display 3 digits		
accessories for	389001		
	GEV No.	Ref. No.	
	379495		electronic controller KIOUR type REF-FR-SB V3.0 mounting measurements 165x80x52mm 230V voltage AC PTC relay outputs 5 NO-30A NO-10A NO-10A NO-10A NO-10A PTC PTC DI level sensor front measurements 165x80x52mm built-in depthmm protection IP54 accuracy 1% defr. funct. -50 up to +100°C display
	GEV No.	Ref. No.	400339
	ribbon cable 16-pole L 460mm plug type 2 row Qty 1m		



GEV No.	389002	Ref. No.	34500029100501
description	control element KIOUR type RSDFL TOUCH mounting measurements 71x29mmV voltage relay outputs front measurements 88x60mm defr. funct.°C display 3 digits		
accessories for	389002		
	GEV No.	Ref. No.	
	389004		electronic controller KIOUR type RSDBL mounting measurements 165x80x52mm 230V voltage AC PTC relay outputs 4 NO-25A NO-10A NO-10A NO-10A PTC DI level sensor front measurements 165x80x52mm built-in depthmm protection IP54 accuracy 1% defr. funct. -50 up to +100°C display
	GEV No.	Ref. No.	400339
	ribbon cable 16-pole L 460mm plug type 2 row Qty 1m		



GEV No.	389003	Ref. No.	34500029100502
description	control element KIOUR type RSPFL TOUCH mounting measurements 71x29mmV voltage relay outputs front measurements 88x60mm defr. funct.°C display 3 digits		
accessories for	389003		
	GEV No.	Ref. No.	
	389005		electronic controller KIOUR type RSPBL mounting measurements 165x80x52mm 230V voltage AC PTC relay outputs 6 NO-30A NO-10A NO-10A NO-10A NO-10A PTC PTC DI level sensor front measurements 165x80x52mm built-in depthmm protection IP54 accuracy 1% defr. funct. -50 up to +100°C display
	GEV No.	Ref. No.	400339
	ribbon cable 16-pole L 460mm plug type 2 row Qty 1m		



GEV No.	379809	Ref. No.	24500029100468 34000094000427 34500029100468 PBETS468 PETS427
description	electronic controller KIOUR type REF-FR-SB V2.0 mounting measurements 71x29mm 230V voltage AC PTC relay outputs 5 NO-25A NO-10A NO-10A NO-10A NO-10A PTC PTC DI level sensor front measurementsmm built-in depth 76mm protection IP54 accuracy 1% yes defr. funct. -50 up to +150°C display 2½ digit		
For models:	BP7300, BS7300, BS77, CA170, CE2140, PM99, PM999, PM9999, PN2229, PN229, PN29, PN99, PN999, PN9999, ZQ99, ZQ999		



1			
GEV No.	379495	Ref. No.	24500029100460 34500029100460 P-BETF-460
description	electronic controller KIOUR type REF-FR-SB V3.0 mounting measurements 165x80x52mm 230V voltage AC PTC relay outputs 5 NO-30A NO-10A NO-10A NO-10A NO-10A PTC PTC DI level sensor front measurements 165x80x52mm built-in depthmm protection IP54 accuracy 1% defr. funct. -50 up to +100°C display		
For models:	CB170, CB170SL, CF2140, CF2140SL, CW2140, CZ170		
accessories for	379495		
	GEV No.	389001	Ref. No.
	control element KIOUR type REF-FR-SP-TOUCH mounting measurements 71x29mmV voltage relay outputs front measurements 88x60mm defr. funct.°C display 3 digits		
	GEV No.	400339	Ref. No.
	ribbon cable 16-pole L 460mm plug type 2 row Qty 1m		



1			
GEV No.	389004	Ref. No.	34500029100499
description	electronic controller KIOUR type RSDBL mounting measurements 165x80x52mm 230V voltage AC PTC relay outputs 4 NO-25A NO-10A NO-10A NO-10A PTC DI level sensor front measurements 165x80x52mm built-in depthmm protection IP54 accuracy 1% defr. funct. -50 up to +100°C display		
accessories for	389004		
	GEV No.	389002	Ref. No.
	control element KIOUR type RSDFL TOUCH mounting measurements 71x29mmV voltage relay outputs front measurements 88x60mm defr. funct.°C display 3 digits		
	GEV No.	400339	Ref. No.
	ribbon cable 16-pole L 460mm plug type 2 row Qty 1m		



1			
GEV No.	389005	Ref. No.	34500029100500
description	electronic controller KIOUR type RSPBL mounting measurements 165x80x52mm 230V voltage AC PTC relay outputs 6 NO-30A NO-10A NO-10A NO-10A NO-10A NO-10A PTC PTC DI level sensor front measurements 165x80x52mm built-in depthmm protection IP54 accuracy 1% defr. funct. -50 up to +100°C display		
accessories for	389005		
	GEV No.	389003	Ref. No.
	control element KIOUR type RSPFL TOUCH mounting measurements 71x29mmV voltage relay outputs front measurements 88x60mm defr. funct.°C display 3 digits		
	GEV No.	400339	Ref. No.
	ribbon cable 16-pole L 460mm plug type 2 row Qty 1m		

accessories

1			
GEV No.	400339	Ref. No.	24500029100465 34500029100465 P-KAL-465
description	ribbon cable 16-pole L 460mm plug type 2 row Qty 1m		
For models:	CB170, CB170SL, CF2140, CF2140SL, CW2140, CZ170		

LAE

refrigeration controllers

built-in version

1			
GEV No.	378266	Ref. No.	24500029100713 34500029100713 PLDU713
description	electronic controller LAE type LDU151E-AG mounting measurements 71x29mm 230V voltage AC front measurements 77x35mm -25 up to +25°C display 2½ digit 8A compressor relay 16A		



built-in version 2-piece



GEV No.	379484	Ref. No.	24500029100649 34500029100649 PBETF649
description	electronic controller LAE type SSD90B35E-C mounting measurements 165x125mm 230V voltage AC PTC relay outputs 6 NO-20A(6) CO-12A(4) NO-8A(3) NO-8A(3) CO-8A(3) NO-7A(2) PTC PTC DI front measurementsmm built-in depthmm protection IP30 yes -50 up to +150°C display		
For models:	CB170, CF2140		
accessories for	379484		
	GEV No.	Ref. No.	—
	378414		—
	GEV No.	Ref. No.	—
	379483		—
	GEV No.	Ref. No.	—
	403465		—
	connection cable LAE type FC10-20M01		

	1		
GEV No.	379497	Ref. No.	24500029100467 34000094000467 34500029100467 PETS467
description	electronic controller LAE type BIT12RU20 mounting measurements 71x29mmV voltage relay outputs front measurementsmm built-in depth 20mm protection°C display 2½ digit		

	1		
GEV No.	379498	Ref. No.	24500029100427 34500029100427 PETF427
description	electronic controller LAE type SMD12RU20 mounting measurements 71x29mm display 3 digits		
For models:	CB170, CF2140		

SHANGFANG accessories

	1		
GEV No.	379054	Ref. No.	24500040100717 34500040100717 PMET717
description	transformer primary 230VAC secondary 12VAC 3VA secondary 0.25A H 40mm L 45mm W 50mm connection screw 50/60Hz type 153/M		
For models:	CB170, CB170SL, CF2140, CF2140SL, CW2140, CZ170		


probes universal probes

	1		
GEV No.	379835	Ref. No.	34500029100447 PPRB447
description	temperature probe NTC 2kOhm cable thermoplastic probe -40 up to +110°C cable -40 up to +110°C probe ø6x20mm cable length 2m 2-wire		
For models:	CA170, CB170, CE2140, CF2140		


producer-specific probes

	1		
GEV No.	402559	Ref. No.	24500029100447
description	temperature probe cable length 900m probe ø 7mm probe L 41mm		



1 

GEV No.	402558	Ref. No.	24500029100478 34500029100478 PPRB143 PPRB478
description	temperature probe PTC cable PVC probe -50 up to +150°C cable -10 up to 100°C connection male faston thread probe ø6x30mm cable length 1.9m		
For models:	CA170, CA170SL, CB170, CB170SL, CE2140, CE2140SL, CF2140, CF2140SL, CW2140, CZ170		

1 


GEV No.	402560	Ref. No.	24500040100168 34500040100168 PPRB168
description	temperature probe PTC cable silicone probe -50 up to +150°C cable -50 up to +180°C connection 2-wire thread probe ø6.5x30mm cable length 1.1m		
For models:	GE711, GE714, GE716, GE719, MA610, MA614, MA67, MB610, MB614, MB67, MD711, MD714, MD718, MF711, MF714, MF718, MH711, MH714, MH718, MI711, MI714, MI718		

solenoid valves

solenoid valves (refrigeration)


CASTEL

valves

1 

GEV No.	370588	Ref. No.	24500029100457 34500029100457 PELV457
description	solenoid valve NC type 1028/2 S 230V connection 1/4" soldering connection -35 up to +105°C CASTEL refrigeration straight		
For models:	CB170, CB170SL, CF2140, CF2140SL		

electrodes

1 

GEV No.	403296	Ref. No.	34000000000122 AIS122
description	level electrode push-in total length 167mm probe L 115mm connection male faston 6.3mm ø 3mm		

compressors

L'UNITE HERMETIQUE / TECUMSEH

R134A

HMBP monophase

High/Medium evaporation temperature above -20/-15 °C



GEV No.	605159	Ref. No.	P-COM-529
description	compressor coolant R134a type AE4430Y-FZ1A 220-240V 50Hz HMBP 9.7kg 1/4HP power inputW cylinder capacity 8cm ³ CSIR H 200mmWWW 294W 382W 488W 613W 760W 930W 1127W		
For models:	BP7300, B57300, B577, CA170SL, PM99, PM999, PN229, PN29, PN99, PN999		



GEV No.	605188	Ref. No.	34500029100424 P-COM-424
description	compressor coolant R134a type AE4440Y-FZ 220-240V 50Hz HMBP 10kg 1/3HP cylinder capacity 10.33cm ³ CSIR H 200mmWWW 399W 508W 637W 790W 968W 1176W		
For models:	CA170, CZ170, PM9999, PN2229, PN9999, ZQ99, ZQ999		



GEV No.	605160	Ref. No.	PCOM521
description	compressor coolant R134a type CAJ4461Y 220-240V 50Hz HMBP 20kg 1/2HP power input 728W cylinder capacity 18.3cm ³ CSIR H 258mmWWW 475W 642W 856W 1115W 1421WW		
For models:	CE2140, CW2140		



R404A

LBP monophase

Lower evaporation temperature below -20°C



GEV No.	605134	Ref. No.	34500029100497 PCOM497
description	compressor coolant R404A type CAJ2446Z 220-240V 50Hz LBP 23kg 1.2HP cylinder capacity 26.1cm ³ CSR H 280mm 797W 1110W 1423W 1821W 2290WWWWW 549W		
For models:	CF2140		

evaporation and condensing trays

evaporation trays heated



GEV No.	750394	Ref. No.	3400000000169 .PSEN169 34000000901802 P-SEN-100 P-SEN-802
description	evaporation tray complete with heating element and level electrode L 245mm W 30mm H 235mm 230V 150W		
For models:	CA170, CA170SL, CB170, CB170SL, CE2140, CE2140SL, CF2140, CF2140SL, CW2140, CZ170		

fans

axial fans

import



GEV No.	601510 ¹	Ref. No.	24500029100523 24500029100524 34500029100523 34500029100524 PFC523 PFC524
description	axial fan L 119mm W 119mm H 38mm 230VAC 50/60Hz 22/21W bearing ball bearing connection male faston 6.3mm SUNON temp.-resist. 70°C		
For models:	BP7300, BS7300, BS77, PM99, PM999, PM9999, PN2229, PN229, PN29, PN99, PN999, PN9999, WV179, WV224, ZQ99, ZQ999		

¹with ball bearings



GEV No.	601692 ¹	Ref. No.	24500029100523 alt 34500029100523 alt PFC523 alt
description	axial fan L 119mm W 119mm H 38mm 230VAC 50/60Hz bearing ball bearing connection male faston 2.8mm SUNON fan wheel ø 110mm input current 0.125A		

¹with ball bearings

refrigeration fans

refrigeration motors universal

IMPORT

multi fit fan motors



GEV No.	601022	Ref. No.	24500029100406 34500029100406 PEM406
description	fan motor 10W 230V 50-60Hz L1 44mm L2 54mm L3 85mm W 84mm cable length 500mm 1300rpm YZF10-20-18/26 5 mounting options bearing slide bearing		
For models:	BP7300, BS7300, BS77, CA170, CA170SL, CE2140, CE2140SL, CF2140, CF2140SL, CW2140, CZ170, PM99, PM999, PM9999, PN2229, PN229, PN29, PN99, PN999, PN9999, ZQ99, ZQ999		

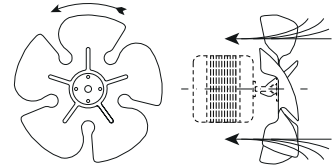


GEV No.	601023	Ref. No.	24500029100624 34500029100624 PEM624
description	fan motor 16W 230V 50-60Hz L1 45mm L2 61mm L3 92mm W 84mm cable length 500mm 1300rpm YZF16-25-18/26 5 mounting options bearing slide bearing		
For models:	CA170, CA170SL, CB170, CB170SL, CE2140, CF2140, CF2140SL, CW2140, CZ170		

accessories

fan wheels

aluminium



GEV No.	601283	Ref. No.	24500029100408 24500029100630 34500029100408 34500029100630 PFEM408 PFEM630
description	fan wheel sucking ø 230mm fan wheel mounting 25.4mm blade angle 28° W 41mm aluminium		
For models:	CA170, CA170SL, CB170, CB170SL, CE2140, CE2140SL, CF2140, CF2140SL, CW2140, CZ170		

cross flow fans

cross flow fan with heater battery

roller diameter ø60mm



GEV No.	601027	Ref. No.	24500040100160 34500040100160 PBA160
description	cross flow fan roller length 180mm roller ø 60mm motor position right 230V 50Hz 17W heat output 2000W bearing silicone cable length 200mm with temperature limiter 125°C		
For models:	GE711, GE714, GE716, GE719, MH711, MH714, MH718, MI711, MI714, MI718		
spare parts for	601027		
	GEV No.	375095	Ref. No. —
	bi-metal thermostat hole distance 18mm switch-off temp. 105°C 1NC 1-pole 16A connection F6.3 2 hole fixing		
	GEV No.	375911	Ref. No. —
	bi-metal thermostat switch-off temp. 125°C 1NC 1-pole for cross flow fan		

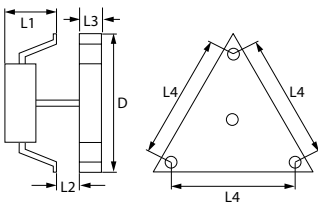


hot air fans

ebm-papst



1



GEV No.	601249	Ref. No.	24500040100738 34500040100738 PFMH738
description	hot air fan 230V 32W 0.27A L1 60mm L2 20mm L3 20mm L4 157mm fan wheel ø 150mm ebm-papst type R2K150-AC01-15		
For models:	GE711, GE714, GE716, GE719, MH711, MH714, MH718, MI711, MI714, MI718		

fuses

line circuit breakers

ABL SURSUM



1

GEV No.	345259	Ref. No.	24500040100196 34500040100196 PHCF196
description	line circuit breaker 1-pole 20A tripping type C rated 240/415V connection screw mounting DIN rail 1 phase		

electric accessories

cables

ribbon cables

group 1



1

GEV No.	400339	Ref. No.	24500029100465 34500029100465 P-KAL-465
description	ribbon cable 16-pole L 460mm plug type 2 row Qty 1m		
For models:	CB170, CB170SL, CF2140, CF2140SL, CW2140, CZ170		

equipment-specific units

for fridges

drain systems

siphons



1

GEV No.	515115	Ref. No.	24500023100223 34500023100223 PDSE223/1
description	drain connection ø 29mm plastic grey		







1

GEV No.	515113	Ref. No.	24500023100244 34500023100244 PDSF244
description	funnel ø 46mm plastic grey H 39mm L 71mm		
For models:	BP7300, BS7300, BS77, CA170, CA170SL, CB170, CB170SL, CE2140, CE2140SL, CF2140, CF2140SL, CW2140, CZ170, PM99, PM999, PM9999, PN2229, PN229, PN29, PN99, PN999, PN9999, ZQ99, ZQ999		



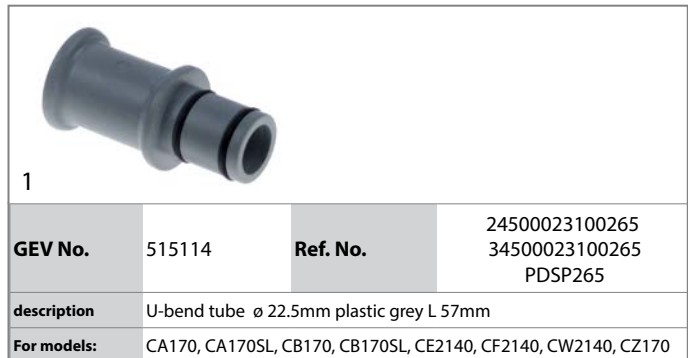
1

GEV No.	515111	Ref. No.	34000000000150 PRDS150
description	U-bend kit ø 18mm plastic grey		
For models:	CA170, CA170SL, CB170, CB170SL, CE2140, CF2140, CW2140, CZ170		
spare parts for	515111		
	GEV No.	515112	Ref. No.
	U-bend tube ø 18mm plastic grey L 180mm		
	GEV No.	515113	Ref. No.
	funnel ø 46mm plastic grey H 39mm L 71mm		
	GEV No.	515114	Ref. No.
	U-bend tube ø 22.5mm plastic grey L 57mm		
	GEV No.	515115	Ref. No.
	drain connection ø 29mm plastic grey		



1

GEV No.	515112	Ref. No.	24500023100255 34500023100255 PDSP255
description	U-bend tube ø 18mm plastic grey L 180mm		
For models:	CA170, CA170SL, CB170, CB170SL, CE2140, CE2140SL, CF2140, CF2140SL, CW2140, CZ170		






1

GEV No.	515114	Ref. No.	24500023100265 34500023100265 PDSP265
description	U-bend tube ø 22.5mm plastic grey L 57mm		
For models:	CA170, CA170SL, CB170, CB170SL, CE2140, CF2140, CW2140, CZ170		



1

GEV No.	515109	Ref. No.	34000000000042 PRDS042
description	U-bend Slim Line ø 18mm plastic grey		
For models:	CA170SL, CB170SL, CE2140SL, CF2140SL		
spare parts for	515109		
	GEV No.	515112	Ref. No.
	U-bend tube ø 18mm plastic grey L 180mm		
	GEV No.	515113	Ref. No.
	funnel ø 46mm plastic grey H 39mm L 71mm		
	GEV No.	515115	Ref. No.
	drain connection ø 29mm plastic grey		

housing and bezels

lids



1

GEV No.	694671	Ref. No.	34500024000003 P-EPC-003
description	cover for evaporator grey L 775mm W 175mm H 435mm Qty 1 pcs		
For models:	CE2140, CE2140SL, CF2140, CF2140SL, CW2140		

holders



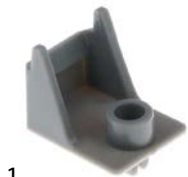
1

GEV No.	701647	Ref. No.	34500000000005 PSEL005
description	bracket for evaporator flap plastic		



1

GEV No.	700930	Ref. No.	24500024000004 34500024000004 PSEL004
description	bracket for evaporator flap plastic L 33mm W 25mm H 8mm ID ø 8mm ext. ø 12 mounting pos. rear		
For models:	CA170, CA170SL, CB170, CB170SL, CE2140, CE2140SL, CF2140, CF2140SL, CW2140, CZ170		



1

GEV No.	700929	Ref. No.	24500024000005 34500024000005 PSEL005
description	bracket for evaporator flap plastic L 35mm W 27mm H 27mm ID ø 8mm ext. ø 12.5 mounting pos. front		
For models:	CA170, CA170SL, CB170, CB170SL, CE2140, CE2140SL, CF2140, CF2140SL, CW2140, CZ170		

doors

doors



1

GEV No.	195004	Ref. No.	34000000000032 P-PLR-032
description	door right W 710mm H 1664mm thickness 60mm		
For models:	CA170, CA170SL, CB170, CB170SL, CE2140, CE2140SL, CF2140, CF2140SL, CW2140, CZ170		

for refrigerated counters

lid hinges



1

GEV No.	700947	Ref. No.	340000000000354 PHFB354
description	lid hinge SS for saladette		
For models:	BS77		



for bain marie

drain systems



1			
GEV No.	694305	Ref. No.	24500028000001 34500028000001 BAPM001
description	drain fitting thread 1/2" H 14mm ID ø 15mm ED ø 32mm		
For models:	MA610, MA614, MA67, MB610, MB614, MB67, MD711, MD714, MD718, MF711, MF714, MF718, MH711, MH714, MH718, MI711, MI714, MI718		

knobs

producer-specific knobs

INOMAK



1			
GEV No.	113037	Ref. No.	34000009000366 AISK122
description	knob AUF/ZU ø 51mm shaft ø 6.5mm grey		
For models:	BP7300, BS7300, BS77, CA170, CA170SL, CB170, CB170SL, CE2140, CE2140SL, CF2140, CF2140SL, CW2140, CZ170, PM99, PM999, PM9999, PN2229, PN229, PN29, PN99, PN999, PN9999, ZQ99, ZQ999		

handles and hand wheels

handle bars

producer-specific handle rails

INOMAK



1			
GEV No.	694302	Ref. No.	24500015000035 34500015000035 PXPL035
description	console plastic Qty 1 pcs		
For models:	CA170, CB170, CE2140, CF2140		



1			
GEV No.	694301	Ref. No.	34000094000003 PXMR003
description	door handle L 560mm plastic Qty 1 pcs		
For models:	CA170, CB170, CE2140, CF2140		
spare parts for	694301		
	GEV No.	694300	Ref. No.
	handle rod size 32x17mm L 485mm aluminium Qty 1 pcs		



1			
GEV No.	694300	Ref. No.	34000090000013 PALL013
description	handle rod size 32x17mm L 485mm aluminium Qty 1 pcs		
For models:	CA170, CB170, CE2140, CF2140		

locks

locking devices

producer-specific


INOMAK




1			
GEV No.	692133	Ref. No.	24500015000479 34500015000479 PKPR479
description	key cylinder ø 19mm		
For models:	CA170, CB170, CE2140, CF2140		



1			
GEV No.	692134	Ref. No.	24500015100590 34500015100590 PKPR590
description	key cylinder ø 19mm		
For models:	CA170, CB170, CE2140, CF2140		

			
1			
GEV No.	692135	Ref. No.	24500015000393 34500015000393 PKPR393
description	key cylinder ø 27mm		
For models:	CA170, CA170SL, CB170, CB170SL, CE2140, CE2140SL, CF2140, CF2140SL, CW2140, CZ170		

			
1			
GEV No.	700928	Ref. No.	24500023000226 34500023000226 PPLAC226
description	bush L 15mm mounting pos. upper ø 12mm ID ø 6.5mm for hinge external size 16mm		
For models:	BP7300, BS7300, BS77, PM99, PM999, PM9999, PN2229, PN229, PN29, PN99, PN999, PN9999, ZQ99, ZQ999		


hinges


spring assisted hinges


producer-specific


INOMAK

			
1			
GEV No.	700959	Ref. No.	34000000000101 PAMR101
description	hinge new edition L 190mm W 30mm H 116mm shaft length 11mm mounting distance 76mm mounting pos. upper		
For models:	CA170, CA170SL, CB170, CB170SL, CE2140, CE2140SL, CF2140, CF2140SL, CW2140, CZ170		

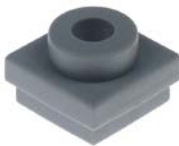
			
1			
GEV No.	700932	Ref. No.	24500015000579 34500015000579 PKOC579
description	hinge		


			
1			
GEV No.	700958	Ref. No.	34000000900360 PAMR360
description	hinge old edition L 195mm W 30mm H 116mm shaft length 11mm mounting distance 76mm mounting pos. upper		
For models:	CA170, CB170, CE2140, CF2140		

			
1			
GEV No.	700955	Ref. No.	34000000000103 PAMC103
description	hinge L 101mm W 40mm H 2mm mounting pos. upper left new edition		
For models:	BP7300, BS7300, BS77, PM99, PM999, PM9999, PN2229, PN229, PN29, PN99, PN999, PN9999, ZQ99, ZQ999		


			
1			
GEV No.	700952	Ref. No.	34000000090036 PAMC036
description	hinge L 101mm W 40mm H 2mm mounting pos. upper left old edition		


door bearing


			
1			
GEV No.	700933	Ref. No.	24500023000572 34500023000572 P-KPC-572
description	bush H 18mm mounting pos. lower ø 18mm ID ø 8mm grey mounting measurements 22x22mm for hinge external size 25x25mm		
For models:	CA170, CA170SL, CB170, CB170SL, CE2140, CE2140SL, CF2140, CF2140SL, CW2140, CZ170		


			
1			
GEV No.	700954	Ref. No.	34000000000104 PAMC104
description	hinge L 101mm W 40mm H 2mm mounting pos. upper right new edition		
For models:	BP7300, BS7300, BS77, PM99, PM999, PM9999, PN2229, PN229, PN29, PN99, PN999, PN9999, ZQ99, ZQ999		





 <p>1</p>			
GEV No.	700953	Ref. No.	34000000900364 PAMC364
description	hinge L 101mm W 40mm H 2mm mounting pos. upper right old edition		
For models:			


 <p>1</p>			
GEV No.	700948	Ref. No.	34000000900361 PKMC361
description	hinge L 132mm W 38mm H 6mm mounting pos. bottom left old edition		
For models:	BP7300, BS7300, BS77, PM99, PM999, PM9999, PN2229, PN229, PN29, PN99, PN999, PN9999, ZQ99, ZQ999		


 <p>1</p>			
GEV No.	700949	Ref. No.	34000000900363 PKMC363
description	hinge L 132mm W 38mm H 6mm mounting pos. bottom right old edition		
For models:	BP7300, BS7300, BS77, PM99, PM999, PM9999, PN2229, PN229, PN29, PN99, PN999, PN9999, ZQ99, ZQ999		

 <p>1</p>			
GEV No.	700951	Ref. No.	34000000000105 PKMC105
description	hinge L 140mm W 40mm H 19mm mounting pos. bottom left new edition		
For models:	BP7300, BS7300, BS77, PM99, PM999, PM9999, PN2229, PN229, PN29, PN99, PN999, PN9999, ZQ99, ZQ999		

 <p>1</p>			
GEV No.	700950	Ref. No.	34000000000106 PKMC106
description	hinge L 140mm W 40mm H 19mm mounting pos. bottom right new edition		
For models:	BP7300, BS7300, BS77, PM99, PM999, PM9999, PN2229, PN229, PN29, PN99, PN999, PN9999, ZQ99, ZQ999		

 <p>1</p>			
GEV No.	700957	Ref. No.	34000000000102 PKMR102
description	hinge L 190mm W 32mm H 13.5mm mounting distance 76mm mounting pos. lower new edition shaft ø 8mm		
For models:	CA170, CA170SL, CB170, CB170SL, CE2140, CE2140SL, CF2140, CF2140SL, CW2140, CZ170		

 <p>1</p>			
GEV No.	700956	Ref. No.	34000000094036 PKMR036
description	hinge L 195mm W 30mm H 5mm mounting distance 76mm mounting pos. lower old edition shaft ø 8mm		
For models:	CA170, CB170, CE2140, CF2140		

 <p>1</p>			
GEV No.	700927	Ref. No.	24500015000360 34500015000360 PMMR360
description	hinge bearing L 79mm W 54mm H 53mm mounting pos. centre		

pullouts


rollers

rollers

 <p>1</p>			
GEV No.	692665	Ref. No.	34000000000051
description	roller rollerø 25mm B1 6mm overall width 10mm A 25mm B 6mm C 10mm ø 9mm plastic Qty 1 pcs suitable for model DR/51		

roller with holder

 <p>1</p>			
GEV No.	692137	Ref. No.	34000000900155 PGPE155
description	roller rollerø 16mm B1 7mm with holder ZCS/ceramic mounting pos. inner bearing slide bearing Qty 1 pcs L 83mm tread plastic mounting distance 75mm		

			
1			
GEV No.	692136	Ref. No.	34000000900154 PGPE154
description	roller rollerø 16mm B1 7mm with holder ZCS/ceramic mounting pos. outer bearing slide bearing Qty 1 pcs H 6mm L 83mm mounting distance 75mm		

			
1			
GEV No.	692138	Ref. No.	34000000900156 PGPE156
description	roller rollerø 25mm B1 6mm with holder SS/plastic mounting pos. upper bearing slide bearing Qty 1 pcs H 13mm L 56mm mounting distance 40mm		


equipment feet and end caps


equipment feet

with fixing plate


			
1			
GEV No.	700709	Ref. No.	24500026000001 24500026000002 34500026000001 34500026000002 PPR001
description	equipment foot tube ø 64mm plate size 80x100mm hole distance 60x80mm H 115-170mm SS size 2 2/3" Qty 1 pcs		
For models:	CA170, CA170SL, CB170, CB170SL, CE2140, CE2140SL, CF2140, CF2140SL, CW2140, CZ170, GE711, GE714, GE716, GE719, MD711, MD714, MD718, MF711, MF714, MF718, MH711, MH714, MH718, MI711, MI714, MI718, PM99, PM999, PM9999, PN2229, PN229, PN29, PN99, PN999, PN9999, ZQ99, ZQ999		

screw-in feet

			
1			
GEV No.	701005	Ref. No.	24500026000003 34500026000003 PPT003
description	equipment foot thread M10 thread L 18mm ø 32.5mm H 75mm Qty 1 pcs		

			
1			
GEV No.	701006	Ref. No.	24500026000004 34500026000004 PPS105
description	equipment foot thread M10 thread L 27mm ø 29mm H 41mm plastic WS 30 Qty 1 pcs		
For models:	BP7300, BS7300, BS77		


bolting feet


			
1			
GEV No.	697835	Ref. No.	24500054100082 34500054100082 PPMP082
description	equipment foot ø 21mm H 12mm bore ø 4mm Qty 1 pcs		
For models:	MA610, MA614, MA67, MB610, MB614, MB67		

miscellaneous

with fixing plate

ø100mm

			
1			
GEV No.	700960	Ref. No.	24500020000609 34500020000609 PRRW609
description	swivel castor ø 100mm plate fixing housing chrome-plated steel plate size 105x85mm hole distance 79mm capacity 80kg bearing slide bearing wheel body PVC tread PVC H 125mm wheel width 32mm Qty 1 pcs		
For models:	CA170, CA170SL, CB170, CB170SL, CE2140, CE2140SL, CF2140, CF2140SL, CW2140, CZ170, PM99, PM999, PM9999, PN2229, PN229, PN29, PN99, PN999, PN9999, ZQ99, ZQ999		

			
1			
GEV No.	700961 ¹	Ref. No.	24500020000608 34500020000608 PRRB608
description	swivel castor with brake ø 100mm plates fixing 105x85mm hole distance 79mm bearing ball bearing H 125mm wheel width 32mm		
For models:	CA170, CA170SL, CB170, CB170SL, CE2140, CE2140SL, CF2140, CF2140SL, CW2140, CZ170, PM99, PM999, PM9999, PN2229, PN229, PN29, PN99, PN999, PN9999, ZQ99, ZQ999		

¹with swivel brake



shelves and shelf rails

grates

universal

without upstand



GEV No.	970711	Ref. No.	24500044100523 34500044100523 SP9116
description	grate W 325mm D 445mm H 11mm plastic-coated steel wire gauge frame 9mm lengthwise wires gauge 4mm crossing wires 1 white		



GEV No.	970712	Ref. No.	24500044100524 34500044100524 SP9117
description	grate W 325mm D 530mm GN 1/1 H 11mm plastic-coated steel wire gauge frame 9mm lengthwise wires gauge 4mm crossing wires 1 grey		



GEV No.	970708	Ref. No.	24500044100190 34500044100190 SU7120/SL
description	grate W 534mm D 550mm H 11.5mm plastic-coated steel wire gauge frame 9mm lengthwise wires gauge 4mm crossing wires 2 white		



GEV No.	970710	Ref. No.	24500044100180 34500044100180 SU2170
description	grate W 650mm D 530mm GN 2/1 H 11mm plastic-coated steel wire gauge frame 9mm lengthwise wires gauge 4mm crossing wires 2 white		

shelf rails and supports

producer-specific



GEV No.	700936	Ref. No.	34000000992715 POZS715
description	guide L 550mm W 14mm H 50mm mounting pos. left for drawer		
For models:	PN2229, PN229, PN29		



GEV No.	700935	Ref. No.	34000000992714 POZS714
description	guide L 550mm W 14mm H 50mm mounting pos. right for drawer		
For models:	PN2229, PN229, PN29		



GEV No.	700938	Ref. No.	34000000990075 PPXM075
description	guide U-shape L 323mm W 12mm mounting pos. right/left inner high 19mm		
For models:	MA610, MA614, MA67, MB610, MB614, MB67		

1

GEV No.	700937	Ref. No.	34000000090074 PPXM074
description	guide U-shape L 508mm W 12mm mounting pos. right/left inner height 19mm		
For models:	MA610, MA614, MA67, MB610, MB614, MB67, MD711, MD714, MD718, MF711, MF714, MF718, MH711, MH714, MH718, MI711, MI714, MI718		

2

GEV No.	700946	Ref. No.	34000000090392 OS116
description	pair of setting bar L-shape L 455mm W 11mm H 27mm		

1

GEV No.	700944	Ref. No.	34000000000160 OS21/SL
description	pair of setting bar L-shape L 545mm W 18mm H 26mm		

1

GEV No.	700943	Ref. No.	34000550000000 OS117
description	pair of setting bar L-shape L 555mm W 12mm H 26mm mounting pos. left/right		

1

GEV No.	700941	Ref. No.	34000000000121 OS21
description	pair of setting bar L-shape L 645mm W 19mm H 26mm mounting pos. left/right		

1

GEV No.	700945	Ref. No.	34000000903855 OS21/P
description	pair of setting bar L-shape L 660mm W 18mm H 27mm mounting pos. left/right		

1

GEV No.	700940	Ref. No.	34000700000000 OS21/O
description	pair of setting bar L-shape L 702mm W 19mm H 26mm		


1


GEV No.	700942	Ref. No.	34000550000001 OS117/C
description	pair of setting bar old edition L 555mm W 12mm H 26mm		

1

GEV No.	700939	Ref. No.	34000700000001 OS21/C
description	pair of setting bar U-shape L 697mm W 19mm old edition inner height 15.5mm		



			
1			
GEV No.	700934	Ref. No.	24500014000641 34500014000641 PPSO641
description	pin for setting bar L 27mm W 13mm bore ø 4.5mm		
For models:	CA170, CA170SL, CB170, CB170SL, CE2140, CE2140SL, CF2140, CF2140SL, CW2140, CZ170		

			
2			
GEV No.	700931	Ref. No.	24500021000553 34500021000553 PPPS553
description	shelf support L 20.6mm ø 10mm		

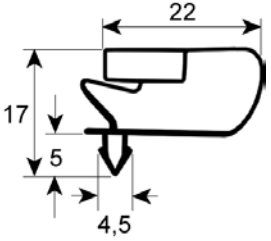
gaskets

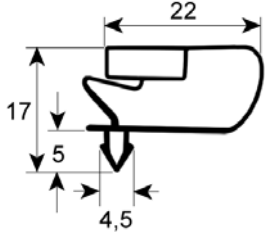
refrigeration gaskets

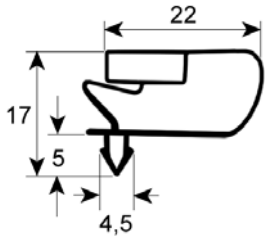
plug-in gaskets

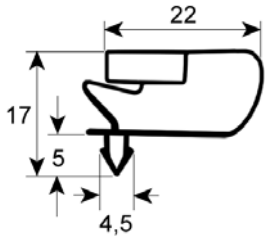
profile 9796

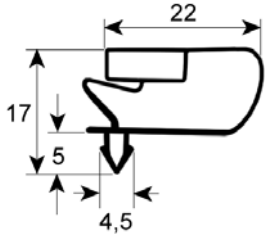
We offer custom-made gaskets for this profile

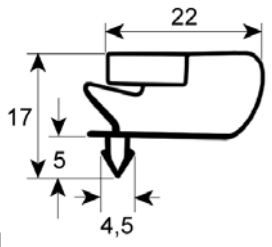
			
1			
GEV No.	900894	Ref. No.	24500057100085 24500057100089 34500057100085 34500057100089 3450005710085 PLSC085 PLSC089
description	refrigeration gasket profile 9796 W 305mm L 405mm plug size		
For models:	PN2229, PN229, PN29		

			
1			
GEV No.	900895	Ref. No.	24500057100433 24500057100577 34500057100433 34500057100577 PLLC433 PLLC577
description	refrigeration gasket profile 9796 W 405mm L 480mm plug size		
For models:	BP7300, BS7300, BS77		

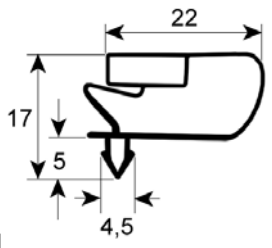
			
1			
GEV No.	900896	Ref. No.	24500057100087 24500057100504 34500057100087 34500057100504 PLMC087 PLMC504
description	refrigeration gasket profile 9796 W 405mm L 650mm plug size		
For models:	PM99, PM999, PM9999, PN2229, PN229, PN29, PN99, PN999, PN9999, ZQ99, ZQ999		

			
1			
GEV No.	900897	Ref. No.	24500057100088 34500057100088 PLLC088
description	refrigeration gasket profile 9796 W 515mm L 650mm plug size		

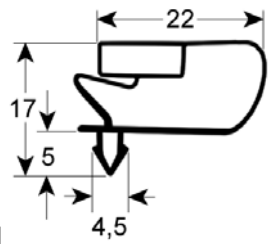
			
1			
GEV No.	900900	Ref. No.	24500057100086 34500057100086 PLLR086
description	refrigeration gasket profile 9796 W 650mm L 1595mm plug size		
For models:	CA170, CB170, CE2140, CF2140		



GEV No.	900899	Ref. No.	24500057100091 24500057100236 34500057100091 34500057100236 PLMR091 PLMR236
description	refrigeration gasket profile 9796 W 660mm L 785mm plug size		



GEV No.	900898	Ref. No.	24500057100084 24500057100090 34500057100084 34500057100090 PLLR084 PLLR090
description	refrigeration gasket profile 9796 W 670mm L 1620mm plug size		
For models:	CA170, CA170SL, CB170, CB170SL, CE2140, CE2140SL, CF2140, CF2140SL, CW2140, CZ170		



GEV No.	902309	Ref. No.	N/A
description	refrigeration gasket profile 9796 Wmm L 2500mm		

refrigeration cycle components


filter driers

CARLY



GEV No.	750288	Ref. No.	24500029100680 PFLK680
description	dryer type DCY052S ø 52mm L 112.5mm connection 1: 1/4"mm connection 2: 1/4"mm		
For models:	CB170, CB170SL, CF2140, CF2140SL		

DENA




GEV No.	692507	Ref. No.	34500029100680
description	dryer type MG112-05 2S connection 1/4" 80cm³ ø 57mm		

miscellaneous



GEV No.	750254	Ref. No.	24500029100476 34500029100476 PFLP476
description	dryer size 20g ø 19mm L 138mm connection 2,5/6,2mm		
For models:	WV179, WV224		




1 			
GEV No.	750291	Ref. No.	24500029100419 34500029100419 PFLR419
description	dryer size 50g ø 24mm L 373mm connection 2.4/4.8mm connection 3: 6.4		
For models:	BP7300, BS7300, BS77, CA170, CA170SL, CE2140, CE2140SL, CW2140, CZ170, PM99, PM999, PM9999, PN2229, PN229, PN29, PN99, PN999, PN9999, ZQ99, ZQ999		

evaporators for fridges



producer-specific

1 			
GEV No.	750309	Ref. No.	34500035000006 PEVR006
description	evaporator 743W VT -8°C heat output 563W L 738mm W 140mm H 430mm complete with fan		
For models:	CE2140, CE2140SL, CW2140		

1 			
GEV No.	750710	Ref. No.	34500035000373 P-COIL-371
description	evaporator for model CB,CB/SL,CZ L 410mm W 160mm H 167mm total length 440mm overall width 330mm overall height 210mm connection soldering connectionmm		
For models:	CA170, CA170SL		

1 			
GEV No.	750290	Ref. No.	34000094000016 PCOIL016
description	evaporator L 340mm W 95mm H 325mm		

1 			
GEV No.	750289	Ref. No.	34000094000020 PCOIL020
description	evaporator L 375mm W 95mm H 250mm		


1 			
GEV No.	750307	Ref. No.	34000094001016 34000094223016 PEVC016 P-EVC-223
description	evaporator L 385mm W 100mm H 390mm 224W with drain pan		
For models:	PM99, PM999, PM9999, PN2229, PN229, PN29, PN99, PN999, PN9999		
spare parts for	750307		
	GEV No.	750711	Ref. No.
	 drip tray for evaporator L 415mm W 110mm H 40mm		

1 			
GEV No.	750432	Ref. No.	34009400100016 P-EVC-116
description	evaporator L 390mm W 100mm H 390mm		
For models:	ZQ99, ZQ999		



1

GEV No.	750395	Ref. No.	34000094000017 P-COIL-017
description	evaporator L 440mm W 115mm H 160mm overall width 190mm overall height 350mm		



1


GEV No.	750397	Ref. No.	34000094000018 P-COIL-018
description	evaporator L 720mm W 115mm H 160mm overall width 220mm overall height 340mm		

for saladettes



1

GEV No.	750308	Ref. No.	34500035000005 PEVR005
description	evaporator L 560mm W 123mm H 430mm suitable for INOMAK / up to SNR. 1294792 complete with fan		
For models:	CA170, CA170SL		



1


GEV No.	750433	Ref. No.	34000940010016 P-EVC-105
description	evaporator L 390mm W 100mm H 330mm		
For models:	BP7300, BS7300, BS77		



1

GEV No.	750411	Ref. No.	P-EVF-347
description	evaporator L 560mm W 430mm H 140mm complete with fan		
For models:	CB170, CB170SL, CZ170		

accessories



1

GEV No.	750396	Ref. No.	34500035000377 P-COIL-377
description	evaporator L 715mm W 115mm H 160mm overall width 185mm overall height 330mm		
For models:	CF2140, CF2140SL, CW2140		




1

GEV No.	750709	Ref. No.	34500024000002 P-EPC-002
description	cover for evaporator CA,CB,CZ,CA/SL,CB/SL L 475mm W 435mm H 185mm		
For models:	CA170, CA170SL, CB170, CB170SL, CZ170		



evaporation and condensing trays

evaporation trays


			
1			
GEV No.	750711	Ref. No.	34500024000123 P-KED-123
description	drip tray for evaporator L 415mm W 110mm H 40mm		

valves and tank inlets


ball valves

universal


mini ball valves

			
1			
GEV No.	520486	Ref. No.	24500033000003 34500033000003 PBEM003
description	ball valve angled connection 1/2" ET - 1/2" ET DN15 total length 79x54mm		
For models:	MA610, MA614, MA67, MB610, MB614, MB67		

ball valves with lever handle

			
1			
GEV No.	520280	Ref. No.	24500028100303 34500028100303 PBEM303
description	ball valve connection 1/2" IT - 1/2" IT DN15 total length 50mm with lever handle handle length 85mm		
For models:	MD711, MD714, MD718, MF711, MF714, MF718, MH711, MH714, MH718, MI711, MI714, MI718		

tank inlets

			
1			
GEV No.	694303	Ref. No.	24500028000000 34500028000000 PBEM000
description	tank inlet connection 1/2" WS 19 L1 9mm L2 21mm ø 25mm		
For models:	MA610, MA614, MA67, MB610, MB614, MB67		

drain systems and wash basins

U-bends

			
1			
GEV No.	515115	Ref. No.	24500023100223 34500023100223 PDSE223/1
description	drain connection ø 29mm plastic grey		

			
1			
GEV No.	515113	Ref. No.	24500023100244 34500023100244 PDSF244
description	funnel ø 46mm plastic grey H 39mm L 71mm		
For models:	BP7300, BS7300, BS77, CA170, CA170SL, CB170, CB170SL, CE2140, CE2140SL, CF2140, CF2140SL, CW2140, CZ170, PM99, PM999, PM9999, PN2229, PN229, PN29, PN99, PN999, PN9999, ZQ99, ZQ999		






			
1			
GEV No.	515111	Ref. No.	34000000000150 PRDS150
description	U-bend kit ø 18mm plastic grey		
For models:	CA170, CA170SL, CB170, CB170SL, CE2140, CF2140, CW2140, CZ170		
spare parts for	515111		
	GEV No.	515112	Ref. No.
	U-bend tube ø 18mm plastic grey L 180mm		




Table continues overleaf



spare parts for 515111			
	GEV No.	515113	Ref. No.
funnel ø 46mm plastic grey H 39mm L 71mm			
	GEV No.	515114	Ref. No.
U-bend tube ø 22.5mm plastic grey L 57mm			
	GEV No.	515115	Ref. No.
drain connection ø 29mm plastic grey			



GEV No.	515109	Ref. No.	34000000000042 PRDS042
description	U-bend Slim Line ø 18mm plastic grey		
For models:	CA170SL, CB170SL, CE2140SL, CF2140SL		

spare parts for 515109			
	GEV No.	515112	Ref. No.
U-bend tube ø 18mm plastic grey L 180mm			
	GEV No.	515113	Ref. No.
funnel ø 46mm plastic grey H 39mm L 71mm			
	GEV No.	515115	Ref. No.
drain connection ø 29mm plastic grey			




GEV No.	515112	Ref. No.	24500023100255 34500023100255 PDSP255
description	U-bend tube ø 18mm plastic grey L 180mm		
For models:	CA170, CA170SL, CB170, CB170SL, CE2140, CE2140SL, CF2140, CF2140SL, CW2140, CZ170		

			
1			
GEV No.	515114	Ref. No.	24500023100265 34500023100265 PDSP265
description	U-bend tube ø 22.5mm plastic grey L 57mm		
For models:	CA170, CA170SL, CB170, CB170SL, CE2140, CF2140, CW2140, CZ170		

fastening material

fasteners

retainer clips

			
1			
GEV No.	694304	Ref. No.	24500053100226 34500053100226 PSPIN226
description	retainer clip L 16.5mm wire gauge ø 1mm SS Qty 2 pcs		
For models:	CB170, CB170SL, CF2140, CF2140SL, CW2140, CZ170		

A		
axial fans	14	
B		
ball valves	29	
ballasts	7	
bi-metal thermostats	4, 4	
C		
cables	16	
castors and bumper angles	22	
compressors	13	
control thermostats	5	
cross flow fans	15	
D		
drain systems and wash basins	29	
E		
electric accessories	16	
electrodes	13	
electronic controllers	8	
evaporation trays heated	14	
evaporators	27	
F		
fans	14	
fasteners	30	
fastening material	30	
filter driers	26	
fluorescent lamps	6, 6	
fuses	16	
G		
grates	23	
H		
heating cables	4	
heating elements	3	
heating elements for bain maries	3	
heating elements for convection	4	
heating elements for defrosting	3	
heating elements for refrigeration	3	
hot air fans	16	
I		
indicator lights	6	
indicator lights (complete)	6	
L		
lamps	6	
light bulbs	6	
linear lamps		6
M		
microswitches		5
P		
plug-in gaskets		25
probes		12
R		
refrigeration cycle components		26
refrigeration fans		15
refrigeration gaskets		25
refrigeration motors universal		15
retainer clips		30
ribbon cables		16
rocker/momentary rocker switches		5
S		
shelves and shelf rails		23
solenoid valves		13
spring assisted hinges		20
starter		7
switches and momentary switches		5
T		
tank inlets		29
temperature probes		12
thermostats		4
toggle switches		5
transformers		7
U		
U-bends		29
universal probes		12
V		
valves and tank inlets		29