



GAS COMPONENTS



ELECTRIC COMPONENTS



WATER TECHNOLOGY



MECHANICAL COMPONENTS



TOOLS

Spare parts suitable for

HENNY-PENNY

Find the complete and up-to-date range of products in our GEV Webshop



Manufacturer catalogue

The most important spare parts and accessories arranged clearly for every manufacturer

- ✓ Complete product range and all appliance data always up to date in the GEV Webshop
- ✓ Alphabetical Index at the end of the catalogue

GEV Webshop

www.gev-online.co.uk

www.gev-online.com




- 🔍 Add to Favourites
- 🔍 Sign In with email address and usual password
- 🔍 Easy-order – place several items in your basket at the same time
- 🔍 Quick Item search – no login needed



heating elements

immersion heating elements

miscellaneous

 <p>1</p>			
GEV No.	417694	Ref. No.	44.00.194 HP44.00.194
description	heating element 9000W 230V heating circuits 3 L 192mm W 39mm H 68mm hole distance 90mm hole ø 8mm thermostat sleeves ø 2.5/6.5mm length thermostat sleeves 155mm number of thermostat sleeves 2 thermostat sleeve eccentric, clinging flange length 82mm flange width 82mm tube ø 6.5mm cable length 200mm immersion heater 5 hole flange		


thermostats

control and safety thermostats

INVENSYS / ROBERTSHAW



control thermostats

 <p>1</p>			
GEV No.	376035	Ref. No.	50016 HP50016
description	thermostat t.max. 121°C temperature range 15.5-121°C 1-pole 1NOA probe ø 8.4mm probe L 98mm capillary pipe 1130mm capillary pipe isolatedmm gland nut shaft ø 6x4.6mm shaft L 20mm shaft position right with extended shaft 60-250°F		

 <p>1</p>			
GEV No.	376034	Ref. No.	14293 HP14293
description	thermostat t.max. 204°C temperature range 93-204°C 1-pole 1NOA probe ø 8mm probe L 128mm capillary pipe 570mm capillary pipe isolatedmm gland nut 5/16" UNF shaft ø 6x4.6mm shaft L 20mm shaft position right 200-400°F		

switches and momentary switches


rocker/momentary rocker switches

 <p>1</p>			
GEV No.	346377	Ref. No.	43768 6716594 72277
description	rocker switch mounting measurements 30x22mm black 2CO 230V 16A 0-I connection male faston 6.3mm ambient temperature max. 125/55°C protection IP40		
accessories for	346377		
	GEV No.	Ref. No.	—
	 protective cover internal size 30x22mm for rocker switch mounting measurementsmm		

relays

power relays

with bracket mounting

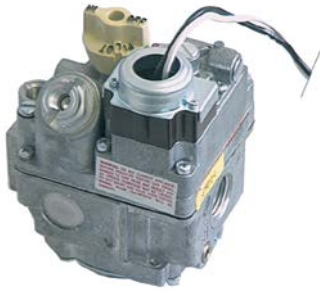
 <p>Image not available</p> <p>1</p>			
GEV No.	381155	Ref. No.	6716568 HPME90-003
description	power relays 12VDC 20A 2CO connection male faston 6.3mm bracket mounting 240V 2-pole		

gas valves and ignition boxes







gas control valves

ROBERTSHAW

electric controlled valves



1

GEV No.	580044	Ref. No.	16216 HP16216
description	gas valve supply 120VAC 50/60Hz gas inlet 3/4" NPT gas outlet 3/4" NPT thermocouple connection 11/32" pilot connection 1/4" CCT type 7000BER-120 pressure controller natural gas 3.5" W.C. suitable for ROBERTSHAW		
spare parts for	580044		
	GEV No.	101047	Ref. No. —
	magnet unit T1: ASA 11/32 T2: M24x1 L 59mm ø 4mm suitable for ROBERTSHAW		
	GEV No.	101389	Ref. No. —
	pressure controller natural gas suitable for ROBERTSHAW		
	GEV No.	106109	Ref. No. —
	locking screw thread 7/16"-24 UNS for pipe ø 1/4" L 16mm brass Qty 1 pcs WS 7/16" (11.113mm) hole ø 6.4mm		
	GEV No.	580033	Ref. No. 16267 HP16267
	knob suitable for ROBERTSHAW		
accessories for	580044		
	GEV No.	102122	Ref. No. —
	thermocouple ROBERTSHAW ASA 11/32 L 18" - 455mm 7/16"		
	GEV No.	102277	Ref. No. —
	thermocouple ROBERTSHAW ASA 11/32 L 36" - 915mm 7/16"		

gas controlled valves



1

GEV No.	106923	Ref. No.	38276 HP38276
description	gas valve 60Hz type 7000BDER-S7A supply 24VAC		

ignition parts

pilot burners

ROBERTSHAW

pilot burners

universal series with electrodes



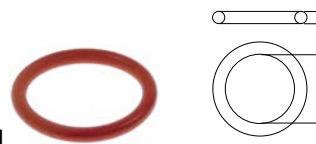
1

GEV No.	106094	Ref. No.	140095 52075 HP140095 HP52075
description	pilot burner ROBERTSHAW type 6S14-2R 3 flames natural gas code 26 for pipe ø 1/4" CCT		

gaskets

O-rings

silicone



1

GEV No.	532727	Ref. No.	10.00.512 HP10.00.512
description	O-ring silicone thickness 3.5mm ID ø 26mm Qty 5 pcs for model SCC, CM		



1			
GEV No.	532728	Ref. No.	10.00.511 HP10.00.511
description	O-ring silicone thickness 3.5mm ID ø 46mm Qty 5 pcs for model SCC, CM		

fastening material

nuts

hexagonal nuts

hexagonal nuts inch thread

1			
GEV No.	506399	Ref. No.	NS03018
description	nut thread 3/4" H 3mm WS 32 brass Qty 1 pcs		

F

fastening material 5

G

gas control valves 4

H

heating elements 3

hexagonal nuts 5

I

immersion heating elements 3

N

nuts 5

O

O-rings 4

P

pilot burners 4

R

relays 3

rocker/momentary rocker switches 3

S

switches and momentary switches 3

T

thermostats 3