



GAS COMPONENTS



ELECTRIC COMPONENTS



WATER TECHNOLOGY



MECHANICAL COMPONENTS



TOOLS

Spare parts suitable for

GROEN

Find the complete and up-to-date range of products in our GEV Webshop



Manufacturer catalogue

The most important spare parts and accessories arranged clearly for every manufacturer

- ✓ Complete product range and all appliance data always up to date in the GEV Webshop
- ✓ Alphabetical Index at the end of the catalogue

GEV Webshop

www.gev-online.co.uk

www.gev-online.com



- 🔍 Add to Favourites
- 🔍 Sign In with email address and usual password
- 🔍 Easy-order – place several items in your basket at the same time
- 🔍 Quick Item search – no login needed



switches and momentary switches

rocker/momentary rocker switches

19x13mm



GEV No.	301234	Ref. No.	1014109
description	rocker switch mounting measurements 19x13mm white 1NO 250V 10A connection male faston 4.8mm protection IP40		

30x22mm



GEV No.	346361	Ref. No.	1014082
description	rocker switch mounting measurements 30x22mm white 2CO 250V 16A I-II connection male faston 6.3mm ambient temperature max. 85°C protection IP40		

accessories for 346361



GEV No.	301036	Ref. No.	—
description	protective cover internal size 30x22mm for rocker switch mounting measurementsmm		

push/momentary push switches

19x13mm



GEV No.	346457	Ref. No.	1014065
description	push switch mounting measurements 19x13mm without button		

lamps

fluorescent lamps

fluorescent lamps

G5



GEV No.	359384	Ref. No.	1012048
description	fluorescent lamp socket G5 L 287mm 8W 230V Qty 1 pcs		

G13



GEV No.	359386	Ref. No.	1012024
description	fluorescent lamp socket G13 L 1198mm 36W 230V Qty 1 pcs		

GEV No.	359385	Ref. No.	1012033
description	fluorescent lamp socket G13 L 360mm 14W 230V Qty 1 pcs		

GEV No.	359383	Ref. No.	1012023
description	fluorescent lamp socket G13 L 438mm 15W 230V Qty 1 pcs light colour 640		

GEV No.	359371	Ref. No.	1012026
description	fluorescent lamp socket G13 L 590mm 18W 230V Qty 1 pcs		

accessories

starter



GEV No.	380464	Ref. No.	1085039
description	starter 4-65W		

ballasts



GEV No.	401440	Ref. No.	1033009
description	electrical ballast 15W 230V for fluorescent lamps		



GEV No.	401441	Ref. No.	1033038
description	electrical ballast 36-40W for fluorescent lamps		



timers

defrost timers

miscellaneous



1

GEV No.	360189	Ref. No.	1086063
description	defrost timer defr. funct. 4x per 24h with delay of fan 5min		

relays

power relays

with bracket mounting



1

GEV No.	380185	Ref. No.	1042007
description	power relays Italiana Relè 230VAC 30A 1NO connection F6.3 bracket mounting dimensions 36.5x32.2x51.8mm manuf. no. A10-230AC-FA		

compressors

EMBRACO / ASPERA

R134A

HBP monophase

High evaporation temperature above -15°C

1

GEV No.	605001	Ref. No.	4003006 4005008
description	compressor coolant R134a type NEK6170Z 220-240V 50Hz HBP fully hermetic 10.4kg 1/4HP cylinder capacity 8.4cm ³ CSIR H 187mmWWW 367W 461W 576W 714W 874W 1056W test method ASHRAE		

fans

refrigeration fans

refrigeration motors universal

IMPORT

multi fit fan motors



1

GEV No.	601022	Ref. No.	4022501
description	fan motor 10W 230V 50-60Hz L1 44mm L2 54mm L3 85mm W 84mm cable length 500mm 1300rpm YZF10-20-18/26 5 mounting options bearing slide bearing		



1

GEV No.	601023	Ref. No.	4022503
description	fan motor 16W 230V 50-60Hz L1 45mm L2 61mm L3 92mm W 84mm cable length 500mm 1300rpm YZF16-25-18/26 5 mounting options bearing slide bearing		



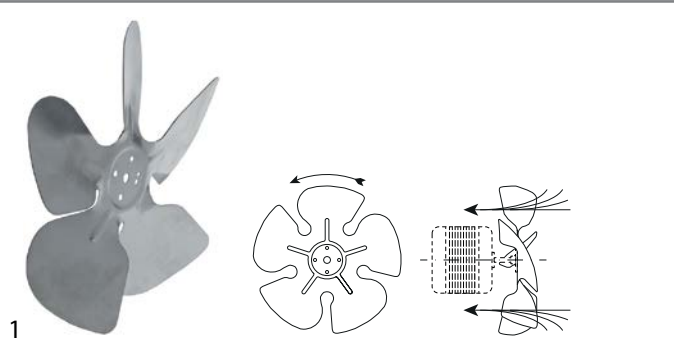
1

GEV No.	601020	Ref. No.	4022502
description	fan motor 5W 230V 50-60Hz L1 44mm L2 48mm L3 79mm W 84mm cable length 500mm 1300rpm YZF5-13-18/26 5 mounting options bearing slide bearing		

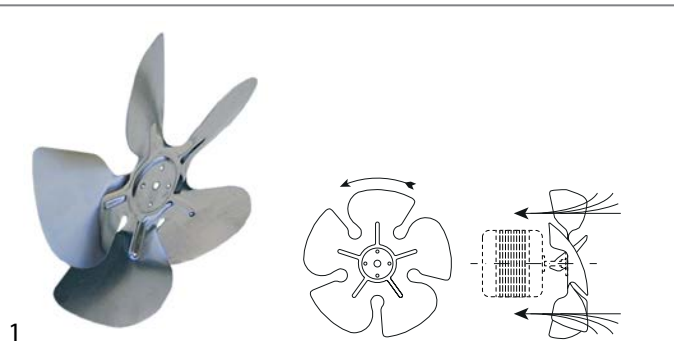
accessories

fan wheels

aluminium



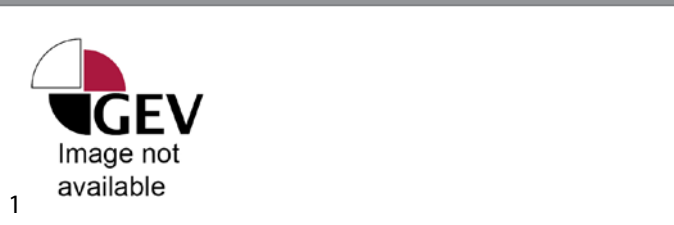
GEV No.	601070	Ref. No.	4022029
description	fan wheel sucking ø 200mm fan wheel mounting 25.4mm blade angle 28° W 38mm aluminium		



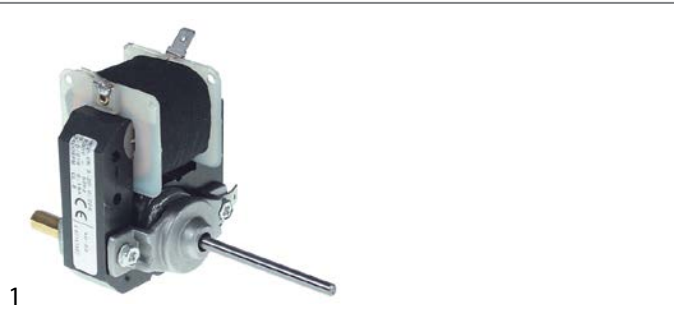
GEV No.	601071	Ref. No.	4022031
description	fan wheel sucking ø 230mm fan wheel mounting 25.4mm blade angle 25° W 37mm aluminium		

cold air circulating fans

cold air circulating fans



GEV No.	601160	Ref. No.	4022504
description	fan motor		



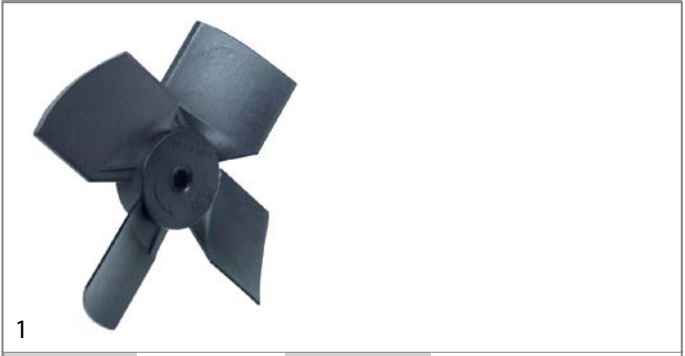
GEV No.	601275	Ref. No.	4022504
description	fan motor		



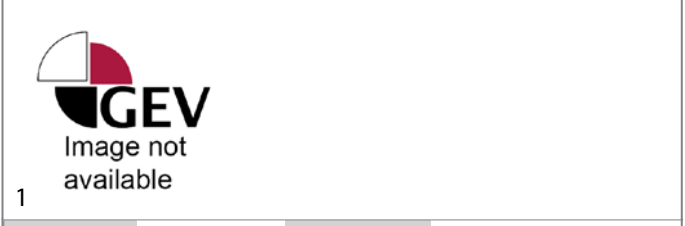
GEV No.	601373	Ref. No.	4022139
description	fan motor		

accessories

fan wheels for cold air circulating fans



GEV No.	601329	Ref. No.	G4022511
description	fan wheel blowing ø 100mm shaft intake ø 6mm W 19mm plastic		



GEV No.	601170	Ref. No.	4022505
description	impellor		

hot air motors



GEV No.	601275	Ref. No.	4022504
description	fan motor		

shelves and shelf rails




grates

universal

without upstand



1

GEV No.	970121	Ref. No.	0521265 S.C.
description	grate W 650mm D 530mm GN 2/1 chrome-plated steel crossing wires 2		
accessories for	970121		
	GEV No.	690330	Ref. No. —
	rack L 1000mm W 22mm H 4mm aperture 3x8mm hole distance 12.5mm stainless steel		
	GEV No.	694700	Ref. No. —
	shelf support L 31/28mm W 22mm H 18mm SS Qty 12 pcs		
	GEV No.	694701	Ref. No. —
	shelf support L 31/28mm W 22mm H 17mm SS with hook Qty 12 pcs		

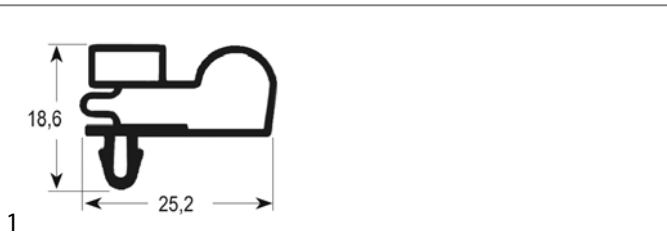
gaskets

refrigeration gaskets

plug-in gaskets

profile 9010

We offer custom-made gaskets for this profile



1

GEV No.	900523	Ref. No.	4512314
description	refrigeration gasket profile 9010 W 585mm L 1670mm plug size		

measuring equipment

thermometers

built-in thermometers



1

GEV No.	541414	Ref. No.	1088500
description	thermometer mounting measurements 62x11mm -40 up to +40°C capillary pipe 330mm probe ø 8.5mm probe L 22mm		

B

ballasts 3

C

cold air circulating fans 5

compressors 4

D

defrost timers 4

F

fans 4

fluorescent lamps 3,3

G

grates 6

H

hot air motors 5

L

lamps 3

M

measuring equipment 6

P

plug-in gaskets 6

push/momentary push switches 3

R

refrigeration fans 4

refrigeration gaskets 6

refrigeration motors universal 4

relays 4

rocker/momentary rocker switches 3

S

shelves and shelf rails 6

starter 3

switches and momentary switches 3

T

timers 4