



**GAS COMPONENTS**



**ELECTRIC COMPONENTS**



**WATER TECHNOLOGY**



**MECHANICAL COMPONENTS**



**TOOLS**

Spare parts suitable for

**GALANZ**

Find the complete and up-to-date range of products in our GEV Webshop



# Manufacturer catalogue

The most important spare parts and accessories arranged clearly for every manufacturer

- ✓ Complete product range and all appliance data always up to date in the GEV Webshop
- ✓ Alphabetical Index at the end of the catalogue

## GEV Webshop

[www.gev-online.co.uk](http://www.gev-online.co.uk)

[www.gev-online.com](http://www.gev-online.com)





- 🔍 Add to Favourites
- 🔍 Sign In with email address and usual password
- 🔍 Easy-order – place several items in your basket at the same time
- 🔍 Quick Item search – no login needed




## thermostats

### bi-metal thermostats


 <p>1</p>			
<b>GEV No.</b>	390869	<b>Ref. No.</b>	253099000143 GMW1025-C19 P100M25ASL-H4-C19 SEE250H4H-SABCOG-C19
<b>description</b>	bi-metal thermostat hole distance 23.5mm switch-off temp. 140°C 1NC 1-pole 10A 250V connection F4.8 Qty 1 pcs		


 <p>1</p>			
<b>GEV No.</b>	390867	<b>Ref. No.</b>	253099000224 GMW1025-C07 GMW1030-C07 P100M25ASL-H4-C07 P180M30ASL-YL-C07 SEE250H4H-SABCOG-C07 SEE30FYLH-SABCOG-C07
<b>description</b>	bi-metal thermostat hole distance 23.5mm switch-off temp. 180°C 1NC 1-pole 10A 250V connection F4.8 Qty 1 pcs		





 <p>1</p>			
<b>GEV No.</b>	390868	<b>Ref. No.</b>	253099000172 GMW1030-C19 P180M30ASL-YL-C19 SEE30FYLH-SABCOG-C19
<b>description</b>	bi-metal thermostat hole distance 23.5mm switch-off temp. 180°C 1NC 1-pole 10A 250V connection F4.8 Qty 1 pcs		


## switches and momentary switches

### microswitches

 <p>1</p>			
<b>GEV No.</b>	347799	<b>Ref. No.</b>	253039000003 GMW1025-C09 GMW1030-C09 P100M25ASL-H4-C09 P180M30ASL-YL-C09 SEE250H4H-SABCOG-C09 SEE30FYLH-SABCOG-C09 W-15-102-C
<b>description</b>	microswitch with plunger 250V 15A 1CO connection male faston 4.8mm ambient temperature max. 105°C mounting distance 22mm type W-15-102C actuating force: 180g white		

 <p>1</p>			
<b>GEV No.</b>	347798	<b>Ref. No.</b>	253039000010 GMW1025-C10 GMW1025-C11 GMW1030-C10 GMW1030-C11 P100M25ASL-H4-C10 P180M30ASL-YL-C10 P180M30ASL-YL-C11 SEE250H4H-SABCOG-C11 SEE30FYLH-SABCOG-C10 SEE30FYLH-SABCOG-C11 W-15-302C
<b>description</b>	microswitch with plunger 250V 15A 1NO connection male faston 4.8mm L 20mm L2 22mm ambient temperature max. 105°C mounting distance 22mm type W-15-302C actuating force: 200g white		

<h3>accessories</h3>			
 <p>1</p>			
<b>GEV No.</b>	347797	<b>Ref. No.</b>	223109000105 GMW1030-P23 P180M30ASL-YL-P23 SEE30FYLH-SABCOG-P23
<b>description</b>	bracket for microswitch L 165mm W 65mm Qty 1 pcs		
<b>accessories for</b>	347797		
			
<b>GEV No.</b>	347794	<b>Ref. No.</b>	223119000028 GMW1030-P247 P180M30ASL-YL-P247 SEE30FYLH-SABCOG-P247
lever for microswitch L 28mm small ID ø 5mm W 22mm Qty 1 pcs			
			
<b>GEV No.</b>	347795	<b>Ref. No.</b>	223119000027 GMW1030-P246 P180M30ASL-YL-P246 SEE30FYLH-SABCOG-P246
lever for microswitch L 45mm middle ID ø 5mm W 22mm Qty 1 pcs			
			
<b>GEV No.</b>	347796	<b>Ref. No.</b>	223119000026 GMW1030-P245 P180M30ASL-YL-P245 SEE30FYLH-SABCOG-P245
lever for microswitch L 63mm large ID ø 5mm W 22mm Qty 1 pcs			

 <p>1</p>			
<b>GEV No.</b>	347794	<b>Ref. No.</b>	223119000028 GMW1030-P247 P180M30ASL-YL-P247 SEE30FYLH-SABCOG-P247
<b>description</b>	lever for microswitch L 28mm small ID ø 5mm W 22mm Qty 1 pcs		



1

<b>GEV No.</b>	347795	<b>Ref. No.</b>	223119000027 GMW1030-P246 P180M30ASL-YL-P246 SEE30FYLH-SABCOG-P246
<b>description</b>	lever for microswitch L 45mm middle ID ø 5mm W 22mm Qty 1 pcs		



1

<b>GEV No.</b>	347796	<b>Ref. No.</b>	223119000026 GMW1030-P245 P180M30ASL-YL-P245 SEE30FYLH-SABCOG-P245
<b>description</b>	lever for microswitch L 63mm large ID ø 5mm W 22mm Qty 1 pcs		

## lamps

### microwave lamps

#### sockets



1

<b>GEV No.</b>	357141	<b>Ref. No.</b>	253079000023 GMW1030-P21 P180M30ASL-YL-P21 SEE30FYLH-SABCOG-P21
<b>description</b>	lamp socket socket E14 250V ø 26mm L 37mm connection male faston 4.8mm mounting distance 40mm for microwave holder length 52mm plastic Qty 1 pcs		

#### light bulbs



1

<b>GEV No.</b>	357142	<b>Ref. No.</b>	253079000050 GMW1030-C06 P180M30ASL-YL-C06 SEE30FYLH-SABCOG-C06
<b>description</b>	light bulb socket E14 230V 20W ø 22mm L 58mm Qty 1 pcs lens L 33mm		



1

<b>GEV No.</b>	357175	<b>Ref. No.</b>	253079000039 GMW1025-C06 P100M25ASL-H4-C06 SEE250H4H-SABCOG-C06
<b>description</b>	light bulb socket E14 230V 20W ø 25mm L 63mm Qty 1 pcs lens L 37mm		

## solid state relays

### accessories

#### diodes

#### high voltage diodes



1

<b>GEV No.</b>	403185	<b>Ref. No.</b>	GMW1030-C45 P180M30ASL-YL-C45 SEE30FYLH-SABCOG-C45
<b>description</b>	hv diode type RG304 connection F4.8mm / lug M4 for microwave Qty 1 pcs		



1


<b>GEV No.</b>	403261	<b>Ref. No.</b>	253089000101 GMW1025-C02 P100M25ASL-H4-C02 SEE250H4H-SABCOG-C02
<b>description</b>	hv diode type RG501 connection F6.3mm / lug M4 cable lengthmm for microwave Qty 1 pcs		

## magnetrons



1

<b>GEV No.</b>	403173	<b>Ref. No.</b>	253017000051 GMW1025-C08 P100M25ASL-H4-C08 SEE250H4H-SABCOG-C08
<b>description</b>	Magnetron type 2M248J(JT)		





1

<b>GEV No.</b>	403259	<b>Ref. No.</b>	GMW1030-C08 M24FB-610A P180M30ASL-YL-C08 SEE30FYLH-SABCOG-C08
<b>description</b>	Magnetron type M24FB-610A for microwave suitable for GALANZ		

electronics

electronics accessories




1

<b>GEV No.</b>	551213	<b>Ref. No.</b>	223249000078 GMW1030-P65 P180M30ASL-YL-P65 SEE30FYLH-SABCOG-P65
<b>description</b>	bracket for PCB L 125mm W 80mm thickness 3mm plastic Qty 1 pcs		


transformers

HV transformers




1

<b>GEV No.</b>	403258	<b>Ref. No.</b>	253029000697 95244XC-5 GAL-900E-4 P180M30ASL-YL-C12 SEE30FYLH-SABCOG-C12
<b>description</b>	HV transformer primary 230-240V 50Hz type 95244XC-5 for micro-waves		



1


<b>GEV No.</b>	403737	<b>Ref. No.</b>	253029000698 95244XC-7 GMW1030-C12
<b>description</b>	HV transformer primary 230-240V 50Hz type 95244XC-7 for micro-waves		



1


<b>GEV No.</b>	403257	<b>Ref. No.</b>	253029000256 GAL-1000E-1G GMW1025-C12 P100M25ASL-H4-C12 SEE250H4H-SABCOG-C12
<b>description</b>	HV transformer primary 230-240V 50Hz type GAL-1000E-1G for microwave		

PCBs




1

<b>GEV No.</b>	403168	<b>Ref. No.</b>	GMW1030-C17 old P180M30ASL-YL-C17 old SEE30FYLH-SABCOG-C17 old
<b>description</b>	control PCB microwave GMW1030 L 335mm W 50mm with display		




1

<b>GEV No.</b>	403653	<b>Ref. No.</b>	263019008957 GMW1030-C17 P180M30ASL-YL-C17 SEE30FYLH-SABCOG-C17
<b>description</b>	control PCB microwave GMW1030 L 375mm W 50mm with display		



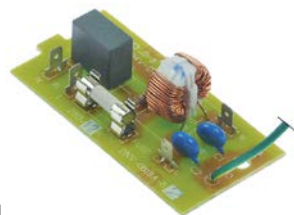
1

<b>GEV No.</b>	403529	<b>Ref. No.</b>	263019008956 GMW1025-C17 P100M25ASL-H4-C17 SEE250H4H-SABCOG-C17
<b>description</b>	display PCB microwave GMW1025 L 160mm W 85mm cable length 200mm for microwave		



1

<b>GEV No.</b>	403184	<b>Ref. No.</b>	263029001216 GMW1030-C04 P180M30ASL-YL-C04 SEE30FYLH-SABCOG-C04
<b>description</b>	line filter for microwave type GMW1030 250V 50/60Hz conductor 2 PCB connection male faston 6.3mm L 90mm H 20mm W 70mm PCB Qty 1 pcs cable length 130mm		




1

<b>GEV No.</b>	403188	<b>Ref. No.</b>	263029001088 GMW1025-C04 P100M25ASL-H4-C04 SEE250H4H-SABCOG-C04
<b>description</b>	line filter microwave for GMW1025 250V 50/60Hz conductor 2 PCB connection male faston 4.8mm L 80mm H 20mm W 40mm PCB Qty 1 pcs cable length 120mm type DNV-0818A-5		


## keypads

### membrane keypads



1

<b>GEV No.</b>	403186	<b>Ref. No.</b>	253069004090 GMW1030-C18 P180M30ASL-YL-C18 SEE30FYLH-SABCOG-C18
<b>description</b>	membrane keypad microwave buttons 18 Qty 1 pcs L 386mm W 42mm		




1

<b>GEV No.</b>	403187	<b>Ref. No.</b>	253069002692 GMW1025-C18 P100M25ASL-H4-C18 SEE250H4H-SABCOG-C18
<b>description</b>	membrane keypad microwave GMW1025 2-piece buttons 15 Qty 1 pcs L 164mm W 70mm		

## fans

### hot air motors

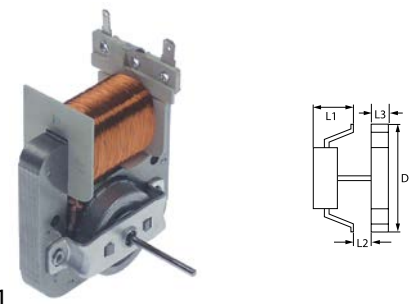


1

<b>GEV No.</b>	601865	<b>Ref. No.</b>	278009000143 GAL6125E-ZD-1 GMW1030-C05 P180M30ASL-YL-C05 SEE30FYLH-SABCOG-C05
<b>description</b>	fan motor 220-240V 50/60Hz 0.036kW 2500rpm D1 ø 6mm power input 18W at 50Hz 2600rpm shaft flat length 18mm		

### hot air fans

#### miscellaneous




1

<b>GEV No.</b>	601838	<b>Ref. No.</b>	278009000033 GMW1025-C05 P100M25ASL-H4-C05 SEE250H4H-SABCOG-C05
<b>description</b>	fan motor 220-240V 18W 2500rpm L1 33mm L2 12mm L3 15mm L4mm fan wheel ø 120mm shaft 2x2.5mm GALANZ type GAL6309E(30)-ZD Qty 1 pcs		

#### accessories

#### fan wheels for hot air fans




1

<b>GEV No.</b>	601839	<b>Ref. No.</b>	223149000014 GMW1025-P06 P100M25ASL-H4-P06 SEE250H4H-SABCOG-P06
<b>description</b>	fan wheel ø 120mm W 32mm shaft intake ø 2x2.5mm plastic blades 4 Qty 1 pcs		



miscellaneous

			
1			
<b>GEV No.</b>	601840	<b>Ref. No.</b>	22313900011 GMW1025-P05
<b>description</b>	bracket ø 130mm L 135mm W 130mm for hot air fan Qty 1 pcs		

radial fans

accessories


fan wheels for radial fans


			
1			
<b>GEV No.</b>	601837	<b>Ref. No.</b>	223999000174 GMW1030-P272 P180M30ASL-YL-P272 SEE30FYLH-SABCOG-P272
<b>description</b>	fan wheel for radial fan ø 96mm shaft diameter 4x5mm H 49mm blades 40 plastic Qty 1 pcs		

motors

gear motors

for microwaves

			
1			
<b>GEV No.</b>	601867	<b>Ref. No.</b>	278019000017 GMW1025-C100 P100M25ASL-H4-C100 SEE250H4H-SABCOG-C100
<b>description</b>	gear motor GALANZ type GAL-33-30-TD(B) 4W 30V voltage AC 50/60Hz 33/40rpm shaft ø 6x3.5mm for microwave Qty 1 pcs		


			
1			
<b>GEV No.</b>	601828	<b>Ref. No.</b>	278009000128 GMW1030-C100 P180M30ASL-YL-C100 SEE30FYLH-SABCOG-C100
<b>description</b>	gear motor SYNCHRONOUS MOTOR type SM-16E 3W 220-240V voltage AC 50/60Hz 30/36rpm shaft ø 6x3.5mm		


condensators & interference suppression filters

filters

line filters

without housing

			
1			
<b>GEV No.</b>	403184	<b>Ref. No.</b>	263029001216 GMW1030-C04 P180M30ASL-YL-C04 SEE30FYLH-SABCOG-C04
<b>description</b>	line filter for microwave type GMW1030 250V 50/60Hz conductor 2 PCB connection male faston 6.3mm L 90mm H 20mm W 70mm PCB Qty 1 pcs cable length 130mm		

			
1			
<b>GEV No.</b>	403188	<b>Ref. No.</b>	263029001088 GMW1025-C04 P100M25ASL-H4-C04 SEE250H4H-SABCOG-C04
<b>description</b>	line filter microwave for GMW1025 250V 50/60Hz conductor 2 PCB connection male faston 4.8mm L 80mm H 20mm W 40mm PCB Qty 1 pcs cable length 120mm type DNV-0818A-5		



## HV capacitors



1

<b>GEV No.</b>	365158	<b>Ref. No.</b>	253059000130 GMW1030-C03 P180M30ASL-YL-C03 SEE30FYLH-SABCOG-C03
<b>description</b>	HV capacitor for microwave 1.05µF type CH85-21105 2100V 50/60Hz double connection male faston 6.3mm L 90mm H 33mm W 52mm dependent on equipment aluminium Qty 1 pcs ømm		



2

<b>GEV No.</b>	365159	<b>Ref. No.</b>	253059000142 GMW1025-C03 P100M25ASL-H4-C03 SEE250H4H-SABCOG-C03
<b>description</b>	HV capacitor for microwave 1.15µF type CH85-21115 2100V 50/60Hz double connection male faston 4.8mm L 105mm H 33mm W 52mm dependent on equipment aluminium Qty 1 pcs		

## electric accessories

## cables

## power supply cables



1

<b>GEV No.</b>	551232	<b>Ref. No.</b>	253159002607 GMW1025-C14 P100M25ASL-H4-C14 SEE250H4H-SABCOG-C14
<b>description</b>	power lead CEE7/7 1mm <sup>2</sup> max 500V 1.5m Qty 1 pcs connection male faston 6.3mm black		

## cable harnesses



1

<b>GEV No.</b>	694615	<b>Ref. No.</b>	253169000472 GMW1025-C13 P100M25ASL-H4-C13 SEE250H4H-SABCOG-C13
<b>description</b>	cable harness for microwave L 800mm Qty 1 pcs		

## equipment-specific units

## for microwaves

## electric

## displays



1

<b>GEV No.</b>	692457	<b>Ref. No.</b>	243029001240 GMW1030-P40 P180M30ASL-YL-P40 SEE30FYLH-SABCOG-P40
<b>description</b>	disc for display plexiglas W 32mm L 70mm thickness 1.3mm Qty 1 pcs		

## microswitches

## holders



1

<b>GEV No.</b>	347797	<b>Ref. No.</b>	223109000105 GMW1030-P23 P180M30ASL-YL-P23 SEE30FYLH-SABCOG-P23
<b>description</b>	bracket for microswitch L 165mm W 65mm Qty 1 pcs		
<b>accessories for</b>	347797		



<b>GEV No.</b>	347794	<b>Ref. No.</b>	223119000028 GMW1030-P247 P180M30ASL-YL-P247 SEE30FYLH-SABCOG-P247
<b>description</b>	lever for microswitch L 28mm small ID ø 5mm W 22mm Qty 1 pcs		




<b>GEV No.</b>	347795	<b>Ref. No.</b>	223119000027 GMW1030-P246 P180M30ASL-YL-P246 SEE30FYLH-SABCOG-P246
<b>description</b>	lever for microswitch L 45mm middle ID ø 5mm W 22mm Qty 1 pcs		





<b>GEV No.</b>	347796	<b>Ref. No.</b>	223119000026 GMW1030-P245 P180M30ASL-YL-P245 SEE30FYLH-SABCOG-P245
<b>description</b>	lever for microswitch L 63mm large ID ø 5mm W 22mm Qty 1 pcs		




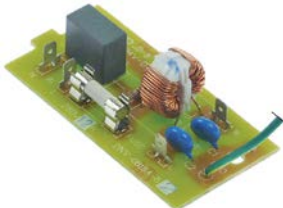



levers			
			
1			
<b>GEV No.</b>	347794	<b>Ref. No.</b>	223119000028 GMW1030-P247 P180M30ASL-YL-P247 SEE30FYLH-SABCOG-P247
<b>description</b>	lever for microswitch L 28mm small ID ø 5mm W 22mm Qty 1 pcs		



			
1			
<b>GEV No.</b>	347795	<b>Ref. No.</b>	223119000027 GMW1030-P246 P180M30ASL-YL-P246 SEE30FYLH-SABCOG-P246
<b>description</b>	lever for microswitch L 45mm middle ID ø 5mm W 22mm Qty 1 pcs		

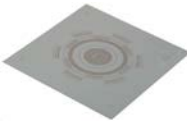
			
1			
<b>GEV No.</b>	347796	<b>Ref. No.</b>	223119000026 GMW1030-P245 P180M30ASL-YL-P245 SEE30FYLH-SABCOG-P245
<b>description</b>	lever for microswitch L 63mm large ID ø 5mm W 22mm Qty 1 pcs		

line filters			
			
1			
<b>GEV No.</b>	403184	<b>Ref. No.</b>	263029001216 GMW1030-C04 P180M30ASL-YL-C04 SEE30FYLH-SABCOG-C04
<b>description</b>	line filter for microwave type GMW1030 250V 50/60Hz conductor 2 PCB connection male faston 6.3mm L 90mm H 20mm W 70mm PCB Qty 1 pcs cable length 130mm		

			
1			
<b>GEV No.</b>	403188	<b>Ref. No.</b>	263029001088 GMW1025-C04 P100M25ASL-H4-C04 SEE250H4H-SABCOG-C04
<b>description</b>	line filter microwave for GMW1025 250V 50/60Hz conductor 2 PCB connection male faston 4.8mm L 80mm H 20mm W 40mm PCB Qty 1 pcs cable length 120mm type DNV-0818A-5		

housings			
outer parts			
			
1			
<b>GEV No.</b>	692453	<b>Ref. No.</b>	403079000048 GMW1030-P240 P180M30ASL-YL-P240 SEE30FYLH-SABCOG-P240
<b>description</b>	frame L 484mm W 72mm H 34mm for microwave Qty 1 pcs		

ceramic plates			
			
1			
<b>GEV No.</b>	692350	<b>Ref. No.</b>	243999000108 GMW1025-P162 P100M25ASL-H4-P162 SEE250H4H-SABCOG-P162
<b>description</b>	ceramic plate L 330mm W 335mm for microwave thickness 3.5mm GMW1025 Qty 1 pcs		
<b>accessories for</b>	692350		
			
<b>GEV No.</b>	901698	<b>Ref. No.</b>	593219000016 GMW1025-P161 P100M25ASL-H4-P161
<b>description</b>	gasket L 330mm W 325mm silicone for ceramic plate Qty 1 pcs		

			
1			
<b>GEV No.</b>	692462	<b>Ref. No.</b>	243999000113 GMW1030-P161 P180M30ASL-YL-P161 SEE30FYLH-SABCOG-P161
<b>description</b>	ceramic plate L 365mm W 353mm for microwave thickness 4mm GMW1030 suitable for GALANZ		

## miscellaneous



1

<b>GEV No.</b>	601869	<b>Ref. No.</b>	213149000023 GMW1025-P04 P100M25ASL-H4-P04 SEE250H4H-SABCOG-P04
<b>description</b>	bracket L 78mm W 20mm H 50mm for condenser Qty 1 pcs		

## doors

## films



1

<b>GEV No.</b>	692451	<b>Ref. No.</b>	515059000119 GMW1025-P114 P100M25ASL-H4-P114 SEE250H4H-SABCOG-P114
<b>description</b>	film L 287mm W 159mm for door inside thickness 0.1mm transparent suitable for GALANZ plastic Qty 1 pcs		

## door hinges



1

<b>GEV No.</b>	701250	<b>Ref. No.</b>	213999000705 GMW1030-P377 P180M30ASL-YL-P377 SEE30FYLH-SABCOG-P377
<b>description</b>	hook lower for door latch L 51mm W 6mm H 28mm hole ø 4.4mm Qty 1 pcs		

## door catches



1

<b>GEV No.</b>	347902	<b>Ref. No.</b>	GMW1025-P198 P100M25ASL-H4-P198 SEE250H4H-SABCOG-P198
<b>description</b>	door catch L 174mm W 48mm for microwave GMW1025 suitable for GALANZ plastic Qty 1 pcs		

## tension springs



1

<b>GEV No.</b>	701249	<b>Ref. No.</b>	575000090094 GMW1030-P118 P180M30ASL-YL-P118 SEE30FYLH-SABCOG-P118
<b>description</b>	tension spring ø 7.3mm total length 25.5mm wire gauge ø 1mm for door latch Qty 1 pcs		

## handles and hand wheels

## door handles

## door handles



1

<b>GEV No.</b>	694617	<b>Ref. No.</b>	213999000846 GMW1030-P34 P180M30ASL-YL-P34 SEE30FYLH-SABCOG-P34
<b>description</b>	handle rod tube ø 16mm L 235mm aluminium Qty 1 pcs		

## equipment feet and end caps

## equipment feet with stem



1

<b>GEV No.</b>	701251	<b>Ref. No.</b>	223189000015 GMW1025-P26 P100M25ASL-H4-P26 SEE250H4H-SABCOG-P26
<b>description</b>	equipment foot ø 20mm H 12mm mounting ø 8mm mounting measurements 19mm overall height 19mm plastic Qty 1 pcs		

## gaskets

## special gaskets


## for microwaves



1

<b>GEV No.</b>	901698	<b>Ref. No.</b>	593219000016 GMW1025-P161 P100M25ASL-H4-P161 SEE250H4H-SABCOG-P161
<b>description</b>	gasket L 330mm W 325mm silicone for ceramic plate Qty 1 pcs		



			
1			
<b>GEV No.</b>	902161	<b>Ref. No.</b>	P161
<b>description</b>	gasket L 365mm W 360mm silicone for ceramic plate Qty 1 pcs for GMW1030		

## springs

### tension springs

			
1			
<b>GEV No.</b>	701249	<b>Ref. No.</b>	575000090094 GMW1030-P118 P180M30ASL-YL-P118 SEE30FYLH-SABCOG-P118
<b>description</b>	tension spring ø 7.3mm total length 25.5mm wire gauge ø 1mm for door latch Qty 1 pcs		



**B**

bi-metal thermostats 3,3

**C**

cables 8

condensators & interference suppression filters 7

**E**

electric accessories 8

**F**

fans 6

filters 7

**H**

hot air fans 6

hot air motors 6

HV capacitors 8

**L**

lamps 4

**M**

magnetrons 4

microswitches 3

microwave lamps 4

motors 7

**P**

power supply cables 8

**R**

radial fans 7

**S**

solid state relays 4

switches and momentary switches 3

**T**

thermostats 3

transformers 5