



**GAS COMPONENTS**



**ELECTRIC COMPONENTS**



**WATER TECHNOLOGY**



**MECHANICAL COMPONENTS**



**TOOLS**

Spare parts suitable for

**GAM**

Find the complete and up-to-date range of products in our GEV Webshop



# Manufacturer catalogue

The most important spare parts and accessories arranged clearly for every manufacturer

- ✓ Complete product range and all appliance data always up to date in the GEV Webshop
- ✓ Alphabetical Index at the end of the catalogue

## GEV Webshop

[www.gev-online.co.uk](http://www.gev-online.co.uk)

[www.gev-online.com](http://www.gev-online.com)

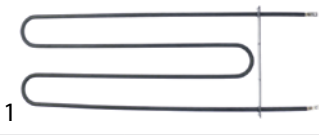


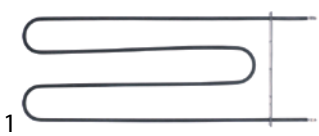
- 🔍 Add to Favourites
- 🔍 Sign In with email address and usual password
- 🔍 Easy-order – place several items in your basket at the same time
- 🔍 Quick Item search – no login needed



## heating elements

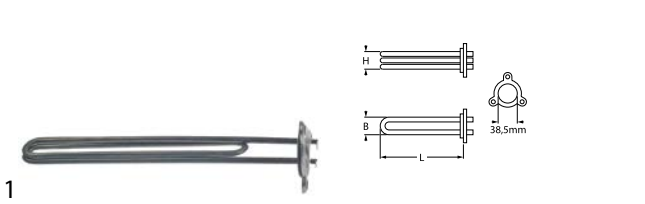

### heating elements for pizza ovens

			
<b>GEV No.</b>	419168	<b>Ref. No.</b>	RG100411
<b>description</b>	heating element 1000W 230V L 498mm W 195mm flange length 215mm flange width 24mm hole distance 69/17mm connection length 120mm connection M5 tube ø 8.5mm heating circuits 1 rectangular flange hole ø 5mm dry heating element pizza oven		

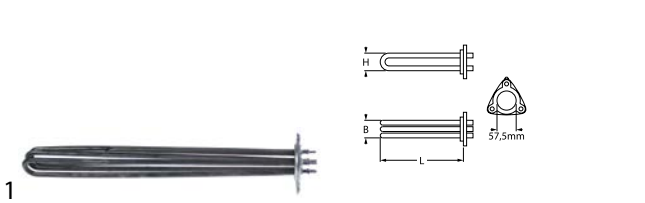

			
<b>GEV No.</b>	420259	<b>Ref. No.</b>	RFORS4635 RG101280
<b>description</b>	heating element 1100W 230V L 600mm W 250mm flange length 270mm flange width 25mm hole distance 65mm connection length 110mm connection M4 tube ø 8.5mm heating circuits 1 rectangular flange hole ø 5mm dry heating element for pizza oven		

### immersion heating elements

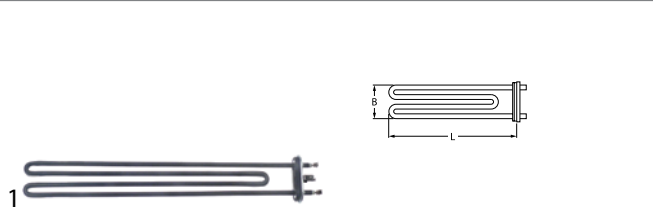
#### 3 hole flange ø38.5mm

			
<b>GEV No.</b>	420278	<b>Ref. No.</b>	KR103420
<b>description</b>	heating element 3000W 240V mounting ø 38.5mm heating circuits 1 L 310mm W 34mm H 19mm tube ø 6.25mm hole distance 58mm hole ø 10mm 3 hole flange connection male faston 6.3mm immersion heater		
<b>accessories for</b>	420278		
		<b>GEV No.</b>	521120
		<b>Ref. No.</b>	—
	O-ring EPDM thickness 5.34mm ID ø 37.47mm Qty 1 pcs		

#### 3 hole flange ø57.5mm

			
<b>GEV No.</b>	418830	<b>Ref. No.</b>	KR103435+KR103432
<b>description</b>	heating element 6000W 230V mounting ø 57.5mm heating circuits 3 L 440mm W 37mm H 41mm number of thermostat sleeves 1 thermostat sleeves ø 7.5mm length thermostat sleeves 290mm thermostat sleeve eccentric, non clinging tube ø 8.5mm hole distance 72mm hole ø 8mm connection M4		
<b>accessories for</b>	418830		
		<b>GEV No.</b>	529460
		<b>Ref. No.</b>	KR103435
	O-ring EPDM thickness 5.34mm ID ø 59.69mm Qty 1 pcs		


#### with compression flange 62 x 26mm


			
<b>GEV No.</b>	420045	<b>Ref. No.</b>	103408 KR103408
<b>description</b>	heating element 3000W 240V heating circuits 1 expansion flange flange 62x26mm L 350mm W 45mm connection male faston 6.3mm vertical tube ø 6.3mm immersion heater		

## thermostats


### bi-metal thermostats

#### safety bi-metal thermostats

			
<b>GEV No.</b>	390717	<b>Ref. No.</b>	KR103347
<b>description</b>	bi-metal safety thermostat hole distance 23.8mm switch-off temp. 110°C 1NC 1-pole 16A 250V connection F6.3 2 hole fixing mounting ø 18.3mm		

			
<b>GEV No.</b>	390684	<b>Ref. No.</b>	PR30517
<b>description</b>	bi-metal safety thermostat hole distance 24mm switch-off temp. 100°C 1NC 1-pole 10A connection F6.3 2 hole fixing		

#### bi-metal thermostats

			
<b>GEV No.</b>	390680	<b>Ref. No.</b>	PR30518
<b>description</b>	bi-metal thermostat hole distance 23.8mm switch-off temp. 65°C 1NC 1-pole 16A connection F6.3 2 hole fixing		



control and safety thermostats

EGO

control thermostats

55.10/19\_ series



<b>GEV No.</b>	375253	<b>Ref. No.</b>	RFORM30 RG100417
<b>description</b>	thermostat t.max. 455°C temperature range 85-455°C 1-pole 1NO 16A probe ø 3.9mm probe L 228mm capillary pipe 870mm capillary pipe isolated 660mm gland nut shaft ø 6x4.6mm shaft L 23mm shaft position upper rotation 270°		

IMIT / TEMPOMATIC / ARTERMO

control thermostats



<b>GEV No.</b>	375992	<b>Ref. No.</b>	KR103345
<b>description</b>	thermostat t.max. 90°C temperature range 0-90°C 1-pole 1CO 15A probe ø 6.5mm probe L 100mm capillary pipe 3000mm capillary pipe isolated 3000mm gland nut shaft Lmm rotation 270°		

push/momentary push switches

34.1x23.1mm



<b>GEV No.</b>	347312	<b>Ref. No.</b>	PR30423R
<b>description</b>	push switch mounting measurements 34.1x23.1mm red 2NO 250V 16A connection male faston 6.3mm 0-1 protection IP40 ambient temperature max. 85°C		

ø22mm



<b>GEV No.</b>	346181	<b>Ref. No.</b>	RIMPS1051	
<b>description</b>	push button mounting ø 21mm external size 30x55mm oval			
<b>accessories for</b>	346181			
	<b>GEV No.</b>	301058	<b>Ref. No.</b>	—
	protective cover internal size 30x55mm			
	<b>GEV No.</b>	301127	<b>Ref. No.</b>	—
	protective cover internal size 30x55mm transparent			

overload switches



<b>GEV No.</b>	347067	<b>Ref. No.</b>	RSTER30_26
<b>description</b>	push switch KJD17 mounting measurements 45x22mm black/white 2NO/A1 250V 10A I O connection male faston 4.8mm/6.3mm ambient temperature max. 85°C protection IP54 with cover cap		

microswitches

lever actuated



<b>GEV No.</b>	346232	<b>Ref. No.</b>	KR103540K
<b>description</b>	microswitch with lever and magnet 250V 16A 1CO connection male faston 6.3mm L 38mm ambient temperature max. 125°C mounting distance 22mm type VRSRBPDA1 actuating force: 30g lever length 29mm		

switches and momentary switches

rocker/momentary rocker switches

30x22mm

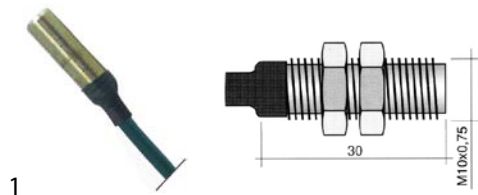



<b>GEV No.</b>	301712	<b>Ref. No.</b>	60433
<b>description</b>	rocker switch mounting measurements 30x22mm red/green 1NO/1NC 230V 16A connection male faston 6.3mm ambient temperature max. 85°C protection IP40		



magnetic switches

M10x0.75



<b>GEV No.</b>	345632	<b>Ref. No.</b>	RTVE13
<b>description</b>	magnetic switch thread M10x0.75 1NO 250V 0.5A P max. 50W connection cable length 2000mm type 102		
<b>accessories for</b>	345632		
	<b>GEV No.</b>	100779	<b>Ref. No.</b> —
	nut thread M10x0.75 H 3mm WS 14 SS Qty 2 pcs		

accessories

magnets



<b>GEV No.</b>	347521	<b>Ref. No.</b>	RG100003 RTVE02
<b>description</b>	magnet ø 14mm H 4mm		



<b>GEV No.</b>	347200	<b>Ref. No.</b>	KR1225
<b>description</b>	magnet ømm L 63mm H 7.3mm W 19mm hole distance 52.5mm M2 hole ø 2.25mm		


lamps


oven lamps

universal oven lamps

mounting diameter 47.8mm




<b>GEV No.</b>	359711	<b>Ref. No.</b>	644 RFORM04 RGA00074
<b>description</b>	oven lamp mounting ø 47.8mm 230V 25W socket E14 temp.-resist. 300°C connection male faston 6.3mm hard glas		
<b>spare parts for</b>	359711		
	<b>GEV No.</b>	359612	<b>Ref. No.</b> —
	light bulb t.max. 300°C socket E14 25W 230V ø 25mm L 56mm lens L 30mm for oven lamp type Philips		

<b>spare parts for</b>	359711		
	<b>GEV No.</b>	359725	<b>Ref. No.</b> —
	oven lamp glass thread ø 44mm H 43mm ø 54mm hard glas temp.-resist. 350°C		

55x70mm



<b>GEV No.</b>	357171	<b>Ref. No.</b>	RG101233
<b>description</b>	oven lamp complete mounting measurements 55x70mm 230V 25W socket G9 connection male faston 6.3mm L 70mm W 55mm		
<b>spare parts for</b>	357171		
	<b>GEV No.</b>	359945	<b>Ref. No.</b> —
	halogen lamp socket G9 230V 25W temp.-resist. 300°C		

timers

programme timers



<b>GEV No.</b>	360576	<b>Ref. No.</b>	KR103530
<b>description</b>	timer FIBER P25 engines 2 chambers 5 operation time 15s / 2min 230V 50/60Hz shaft ømm shaft Lmm manuf. no. P255J05MEV6 motor type M51BJOL0000/M51BJOR0000 voltage AC		

electronics

PCBs



<b>GEV No.</b>	692027	<b>Ref. No.</b>	5310000
<b>description</b>	PCB dough rolling machine STP30/40 new edition 230V		





## central units



1

<b>GEV No.</b>	699005	<b>Ref. No.</b>	RG100035 RGA00003 RTVE32 Steuerplatine
<b>description</b>	control box 230V A2-A2L		

## pressure switches

## for warewashing

ø 58mm with male faston 6.3mm

with connection horizontal



1

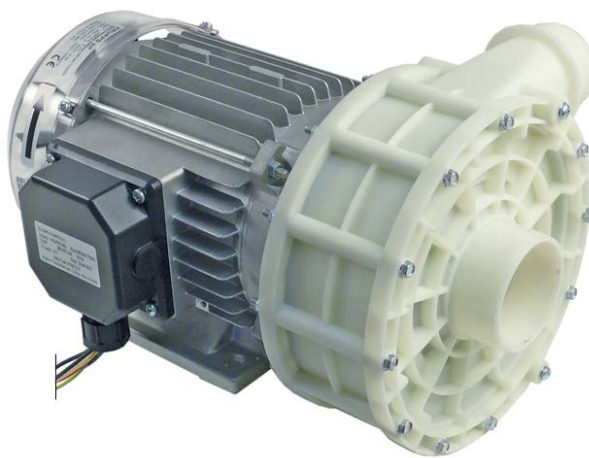
<b>GEV No.</b>	541045	<b>Ref. No.</b>	KR103383
<b>description</b>	pressure control pressure range 28/12mbar connection 6mm ø 58mm pressure connection horizontal warewashing		

## pumps






## wash and rinse pumps

## OLYMPIA

## pumps



1

<b>GEV No.</b>	499290	<b>Ref. No.</b>	KR6800	
<b>description</b>	pump inlet ø 63mm outlet ø 51mm type MEC80.T220SX 380-415V 50Hz 3 phase 1.64kW 2.2HP L 330mm rotation direction right OLYMPIA			
<b>spare parts for</b>	499290			
	<b>GEV No.</b>	510693	<b>Ref. No.</b>	—
	mechanical shaft seal for shaft ø 12mm slide ring ext. ø 24mm slide ring H 15.5mm slide ring int. ø 11mm counter ring mounting ø 24mm height counter ring 8mm counter ring int. ø 13.5mm			
	<b>GEV No.</b>	517650	<b>Ref. No.</b>	—
	impellor ø 107mm H 31mm pump type MEC80.T220SX shaft intake ø 12mm rotation direction right thread M8L blades 6			
	<b>GEV No.</b>	521152	<b>Ref. No.</b>	—
	pump cover OLYMPIA inlet 62 ø 190mm			
	<b>GEV No.</b>	521153	<b>Ref. No.</b>	—
	pump casing OLYMPIA outlet ø 52mm			
	<b>GEV No.</b>	521154	<b>Ref. No.</b>	—
	O-ring ID ø 152.7mm thickness 2.62mm EPDM Qty 1 pcs			

## gas nozzles

## main nozzles


## gas nozzles M6x0.75



1

<b>GEV No.</b>	104781	<b>Ref. No.</b>	40413000
<b>description</b>	gas injector thread M6x0.75 WS 7 bore ø 1.3mm		



			
1			
<b>GEV No.</b>	104778	<b>Ref. No.</b>	40414500
<b>description</b>	gas injector thread M6x0.75 WS 7 bore ø 1.45mm		

## equipment-specific units

### for meat mincers

grinder plates

ENTERPRISE

with 2 notches

with hub

			
1			
<b>GEV No.</b>	696114	<b>Ref. No.</b>	PIA1214,5
<b>description</b>	grinder plate type ENTERPRISE size 12 hole ø 4.5mm with hub grooves 2 stainless steel ø 70mm		


### for cutters

lids

			
1			
<b>GEV No.</b>	691247	<b>Ref. No.</b>	52V2
<b>description</b>	lid for cutter ø 225mm ID ø 204mm plastic C4-C6 edition until 08/2003		


### for vegetable slicers

ejector discs

			
1			
<b>GEV No.</b>	697292	<b>Ref. No.</b>	ATVDIPLAESB
<b>description</b>	ejector disc flat H 6mm ø 200mm seat ø 20.3mm shaft diameter 52mm hole distance 40mm		

			
1			
<b>GEV No.</b>	697291	<b>Ref. No.</b>	ATVDIPLAESA
<b>description</b>	ejector disc high H 28mm ø 200mm seat ø 20.3mm hole distance 40mm		



grating discs


			
1			
<b>GEV No.</b>	697838	<b>Ref. No.</b>	Reibescheibe Z3
<b>description</b>	grating disc ø 205mm seat ø 19mm slicing thickness 3mm SS/plastic		

cutting discs

blades smooth

blades

				
1				
<b>GEV No.</b>	697418	<b>Ref. No.</b>	ATVDILEL	
<b>description</b>	spare blades for cutting disc E			
<b>accessories for</b>	697418			
	<b>GEV No.</b>	697301	<b>Ref. No.</b>	E2
	slicing disk type E2 ø 206mm seat ø 19mm slicing thickness 2mm plastic			

			
1			
<b>GEV No.</b>	696172	<b>Ref. No.</b>	ATVDILX
<b>description</b>	spare blades for slicing disc for X1-8		

## cutting discs




1

<b>GEV No.</b>	698334	<b>Ref. No.</b>	ATVDIX VARIO X1-8
<b>description</b>	slicing disk ø 205mm seat ø 19mm adjustable slicing thickness 1-8mm		



1

<b>GEV No.</b>	697301	<b>Ref. No.</b>	E2
<b>description</b>	slicing disk type E2 ø 206mm seat ø 19mm slicing thickness 2mm plastic		
<b>spare parts for</b>	697301		
	<b>GEV No.</b>	697418	<b>Ref. No.</b> ATVDILEL
spare blades for cutting disc E			



1

<b>GEV No.</b>	697297	<b>Ref. No.</b>	E3
<b>description</b>	slicing disk type E3 ø 206mm seat ø 19mm slicing thickness 3mm plastic		

## for dough mixers

## drive shafts



1

<b>GEV No.</b>	697288	<b>Ref. No.</b>	RG100804 RIMPS30E19
<b>description</b>	drive shaft D1 ø 55mm for dough hook ø 25mm L 153mm S30-S40		

## flange bearings



1

<b>GEV No.</b>	698791	<b>Ref. No.</b>	RG101480 + RG101481 RGA00273
<b>description</b>	coupling shaft ø 25mm ED ø 78.4mm W 80mm plastic		

## dough hooks

## with mounting groove



1

<b>GEV No.</b>	697306	<b>Ref. No.</b>	RIMPA203014
<b>description</b>	dough hook shaft ø 20mm usable height 275mm A20 / A30		

## miscellaneous



1

<b>GEV No.</b>	697289	<b>Ref. No.</b>	RIMPS30E07
<b>description</b>	locking spring for dough hook S30-S40		

## for dough roller

## rollers




1


<b>GEV No.</b>	693682	<b>Ref. No.</b>	RSR46_40
<b>description</b>	roller for dough roller L 218mm ø 48mm mounting pos. upper at the back		






			
1			
<b>GEV No.</b>	693683	<b>Ref. No.</b>	RSR50_40
<b>description</b>	roller for dough roller L 218mm ø 48mm mounting pos. upper in the front		

			
1			
<b>GEV No.</b>	693676	<b>Ref. No.</b>	RSR30_30
<b>description</b>	roller for dough roller L 308mm ø 49mm mounting pos. bottom in the front		

			
1			
<b>GEV No.</b>	693677	<b>Ref. No.</b>	RSR29_40
<b>description</b>	roller for dough roller L 408mm ø 49mm mounting pos. bottom at the back		


			
1			
<b>GEV No.</b>	693659	<b>Ref. No.</b>	RSR30_40
<b>description</b>	roller for dough roller L 408mm ø 49mm mounting pos. bottom in the front		

couplings


			
1			
<b>GEV No.</b>	693661	<b>Ref. No.</b>	RSR33_40/40P RSR35
<b>description</b>	coupling set ø 42mm ID ø 26mm H 23mm		

pinions


rear mounting


			
1			
<b>GEV No.</b>	693664	<b>Ref. No.</b>	RSR43_30/40/40P
<b>description</b>	pinion ø 47mm H 33.5mm mounting pos. rear ID ø 25mm for dough roller		


front mounting


			
1			
<b>GEV No.</b>	693662	<b>Ref. No.</b>	RSR36_30/40/40P
<b>description</b>	pinion ø 47mm H 33.5mm mounting pos. front ID ø 14mm for dough roller		

side parts

			
1			
<b>GEV No.</b>	693665	<b>Ref. No.</b>	RSTER30_42
<b>description</b>	side panel for dough roller mounting pos. bottom right W 40mm L 125mm H 100mm L30-B30-L40-B40		

			
1			
<b>GEV No.</b>	693679	<b>Ref. No.</b>	RSTER30_48
<b>description</b>	side panel for dough roller mounting pos. upper right W 40mm L 125mm H 100mm L30-B30-L40-B40		

			
1			
<b>GEV No.</b>	693669	<b>Ref. No.</b>	RSTER30_28
<b>description</b>	side panel for dough roller mounting pos. bottom left W 25mm L 122mm H 80mm L30-B30-L40-B40		

			
1			
<b>GEV No.</b>	693678	<b>Ref. No.</b>	RSTER30_45
<b>description</b>	side panel for dough roller mounting pos. upper left W 25mm L 115mm H 80mm L30-B30-L40-B40		

## for convection ovens/combi-steamers

## glass panels



1

<b>GEV No.</b>	693100	<b>Ref. No.</b>	Vetro 250x100x5 No.40
<b>description</b>	glass panel L 250mm W 100mm thickness 5mm rectangular		

## for pizza ovens

## firebricks



1

<b>GEV No.</b>	850114	<b>Ref. No.</b>	RG100510
<b>description</b>	firebrick L 696mm W 348mm H 17mm delivery freight forwarding company only		

## for dishwashers

## containers

## salt tanks



1

<b>GEV No.</b>	517797	<b>Ref. No.</b>	KR3500
<b>description</b>	salt tank for dishwasher		

## air traps

## air traps



1

<b>GEV No.</b>	510343	<b>Ref. No.</b>	KR3280
<b>description</b>	air trap L 140mm ø 33mm plastic		

## washing and rinsing systems



1

<b>GEV No.</b>	524939	<b>Ref. No.</b>	PR20017
<b>description</b>	nut for wash arm support ø 56mm ID ø 29mm H 23.5mm		



1

<b>GEV No.</b>	524938	<b>Ref. No.</b>	PR20016
<b>description</b>	sealing ring for wash arm support plastic ø 42mm ID ø 37mm thickness 2.2mm		



1

<b>GEV No.</b>	524940	<b>Ref. No.</b>	PR20135P
<b>description</b>	sealing ring for wash arm support plastic ø 68mm ID ø 39mm thickness 9mm		

## handles and hand wheels

## mushroom cap handles



1

<b>GEV No.</b>	111782	<b>Ref. No.</b>	RG101390
<b>description</b>	mushroom cap handle thread M6 handle ø 25mm L 17mm plastic black		

## bracket handles




1

<b>GEV No.</b>	691327	<b>Ref. No.</b>	6333010
<b>description</b>	pull handle L 119mm H 37mm mounting distance 105mm handle M6		




## hinges

### oven hinges







1

<b>GEV No.</b>	701482	<b>Ref. No.</b>	RG108455
<b>description</b>	counterpart mounting distance 90mm L 112mm mounting pos. left/right W 10mm		




1

<b>GEV No.</b>	700623	<b>Ref. No.</b>	RFORM17	
<b>description</b>	oven hinge mounting distance 154mm lever length 91mm groove distance 14mm spring thickness 3mm mounting pos. left/right zinc-coated steel			
<b>accessories for</b>	700623			
	<b>GEV No.</b>	700628	<b>Ref. No.</b>	—
	opposite support right oven hinge			
	<b>GEV No.</b>	700629	<b>Ref. No.</b>	—
	opposite support mounting distance 75mm L 95mm W 26mm left H 46mm M5 cut-out 10X30mm oven hinge			
	<b>GEV No.</b>	700841	<b>Ref. No.</b>	—
	opposite support mounting distance 85mm L 107mm W 12.5mm for hinge			



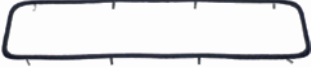
1

<b>GEV No.</b>	701481	<b>Ref. No.</b>	RG101320	
<b>description</b>	oven hinge mounting distance 208mm lever length 119mm groove distance 8mm spring thickness 3.5mm mounting ear position spring length 103mm L 215mm mounting pos. left/right W 25mm stainless steel Qty 1 pcs			
<b>accessories for</b>	701481			
	<b>GEV No.</b>	701482	<b>Ref. No.</b>	RG108455
	counterpart mounting distance 90mm L 112mm mounting pos. left/right W 10mm			

## gaskets

### gaskets for heated units

#### door seals with fixing hook


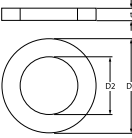


1

<b>GEV No.</b>	901368	<b>Ref. No.</b>	RG100506
<b>description</b>	door seal L 725mm W 210mm with mounting clips suitable for GAM		


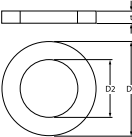
### O-rings

#### EPDM


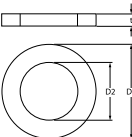
1

<b>GEV No.</b>	528632	<b>Ref. No.</b>	PR18025
<b>description</b>	O-ring EPDM thickness 3.53mm ID $\varnothing$ 44.04mm Qty 1 pcs		

1

<b>GEV No.</b>	532577	<b>Ref. No.</b>	KR103415
<b>description</b>	O-ring EPDM thickness 5.34mm ID $\varnothing$ 40.65mm Qty 1 pcs		

1

<b>GEV No.</b>	529460	<b>Ref. No.</b>	KR103435
<b>description</b>	O-ring EPDM thickness 5.34mm ID $\varnothing$ 59.69mm Qty 1 pcs		

## transmission technology and ball bearings


### ball bearings

#### deep-groove ball bearings 2RS





1

<b>GEV No.</b>	523512	<b>Ref. No.</b>	RG101182 RIMPA203006 RIMPA203006A
<b>description</b>	deep-groove ball bearing type 6204-2RS shaft $\varnothing$ 20mm ED $\varnothing$ 47mm W 14mm with sealing discs deep-groove ball bearing DIN 625-1		

			
1			
<b>GEV No.</b>	523513	<b>Ref. No.</b>	RG100876
<b>description</b>	deep-groove ball bearing type 6205-2RS shaft ø 25mm ED ø 52mm W 15mm with sealing discs deep-groove ball bearing DIN 625-1		

			
1			
<b>GEV No.</b>	523524	<b>Ref. No.</b>	RG100829
<b>description</b>	deep-groove ball bearing type 6206-2RS shaft ø 30mm ED ø 62mm W 16mm with sealing discs deep-groove ball bearing DIN 625-1		

			
1			
<b>GEV No.</b>	523517	<b>Ref. No.</b>	RIMPS4032
<b>description</b>	deep-groove ball bearing type 6304-2RS shaft ø 20mm ED ø 52mm W 15mm with sealing discs deep-groove ball bearing DIN 625-1		


			
1			
<b>GEV No.</b>	523518	<b>Ref. No.</b>	Rimpa405006 Rimpa405006A
<b>description</b>	deep-groove ball bearing type 6305-2RS shaft ø 25mm ED ø 62mm W 17mm with sealing discs deep-groove ball bearing DIN 625-1		


deep-groove ball bearings 2Z

			
1			
<b>GEV No.</b>	523030	<b>Ref. No.</b>	RG100823
<b>description</b>	deep-groove ball bearing shaft ø 30mm ED ø 62mm W 16mm type 6206-2Z DIN 625-1		

drive belts

poly-v belts

			
1			
<b>GEV No.</b>	698220	<b>Ref. No.</b>	81481
<b>description</b>	poly-v belt grooves 10 W 20mm L 380mm profile TB2		

			
1			
<b>GEV No.</b>	698223	<b>Ref. No.</b>	Pos.108
<b>description</b>	poly-v belt grooves 6 W 12mm L 660mm profile TB2		




dosing pumps

peristaltic dosing pumps








BORES

built-in version

without control

				
1				
<b>GEV No.</b>	361743	<b>Ref. No.</b>	PR30683	
<b>description</b>	dosing pump BORES 0.4l/h 230VAC rinse aid hose ø 4x6mm hose type silicone type PB0.2P			
<b>accessories for</b>	361743			
	<b>GEV No.</b>	361144	<b>Ref. No.</b>	—
	mounting set rinse aid hose type 4x6mm hose length 2m PVC/nylon hose container filter/non-return valve transparent			
	<b>GEV No.</b>	361291	<b>Ref. No.</b>	—
	pump hose PROTHO/MYBO rinse aid hose ø 2x6mm hose type silicone			




<b>GEV No.</b>	361280	<b>Ref. No.</b>	PR30673
<b>description</b>	dosing pump BORES without control 1.5l/h 230VAC detergent hose ø 4x6mm hose type Santoprene type Protho built-in version CODE PD1.5		
<b>spare parts for</b>	361280		
	<b>GEV No.</b>	361232	<b>Ref. No.</b> —
	roller assembly detergent hose type Santoprene pump type PROTHO/MYBO		
	<b>GEV No.</b>	361234	<b>Ref. No.</b> —
	cover pump type PROTHO/MYBO hose type		
	<b>GEV No.</b>	361290	<b>Ref. No.</b> —
	pump hose PROTHO/MYBO detergent hose ø 7x10mm hose type Santoprene		
	<b>GEV No.</b>	361409	<b>Ref. No.</b> —
	pump head pump type PROTHO/MYBO hose type Santoprene detergent hose ø 7x10mm		
<b>accessories for</b>	361280		
	<b>GEV No.</b>	361142	<b>Ref. No.</b> —
	mounting set detergent hose type 4x6mm hose length 2m PVC 2x hose/container filter/tank intake transparent		
	<b>GEV No.</b>	520090	<b>Ref. No.</b> —
	PVC hose ID ø 4mm ED ø 6mm L 2m thickness 1mm t.max. 60°C transparent		
	<b>GEV No.</b>	520091	<b>Ref. No.</b> —
	nylon hose ID ø 4mm ED ø 6mm L 2m thickness 1mm operating p. 10bar burst p. 50bar t.max. 100°C transparent		

**SEKO**

built-in version

with frequency control



<b>GEV No.</b>	361791 <sup>1</sup>	<b>Ref. No.</b>	KR1210
<b>description</b>	dosing pump SEKO frequency control 3l/h 230VAC detergent hose ø 4x6mm hose type K hose Santoprene suction level 1.5m type NBR 3		
<b>spare parts for</b>	361791		
	<b>GEV No.</b>	361815	<b>Ref. No.</b> —
	pump hose detergent hose ø 6x10mm hose ø 4x6mm hose type K hose Santoprene type SEKO		

<sup>1</sup>with accessories

**hoses**

**industrial hoses**

PVC hoses

PVC hoses without fabric



<b>GEV No.</b>	520026	<b>Ref. No.</b>	1410
<b>description</b>	PVC hose ID ø 4mm ED ø 6mm L 10m thickness 1mm t.max. 60°C transparent		
<b>accessories for</b>	520026		
	<b>GEV No.</b>	361058	<b>Ref. No.</b> —
	container filter with non-return valve SS hose ø 4x6mm ø 20mm L 56mm		
	<b>GEV No.</b>	361066	<b>Ref. No.</b> —
	container filter straight SS hose ø 4x6mm L 37mm non return valve ball valve		
	<b>GEV No.</b>	361106	<b>Ref. No.</b> —
	container filter with weight and non-return valve SS hose ø 4x6mm ø 21mm L 51mm non return valve lip valve		
	<b>GEV No.</b>	361141	<b>Ref. No.</b> —
	container filter with weight ceramic hose ø 4mm		
	<b>GEV No.</b>	361230	<b>Ref. No.</b> —
	container filter with weight stainless steel hose ø 4x6mm		
	<b>GEV No.</b>	361462	<b>Ref. No.</b> —
	container filter with weight SS hose ø 4x6mm		
	<b>GEV No.</b>	361728	<b>Ref. No.</b> —
	container filter with 4m 4x6 hose SS hose ø 4x6mm hose length 4000mm		

**fastening material**

screws

cylinder head bolts

DIN 912/ISO 4762



<b>GEV No.</b>	560591	<b>Ref. No.</b>	IX2912005016
<b>description</b>	cylinder head bolt thread M5 thread L 16mm WS 4 SS Qty 1 pcs intake internal hexagon DIN 912/ISO 4762		



## knurled screws



1

<b>GEV No.</b>	560409	<b>Ref. No.</b>	104040
<b>description</b>	Thumb screw thread M7 thread L 7mm ø 25mm H 5mm SS		

<b>B</b>		
bi-metal thermostats	3, 3	
<b>C</b>		
control thermostats	4, 4	
cylinder head bolts	13	
<b>D</b>		
door seals with fixing hook	11	
dosing pumps	12	
<b>F</b>		
fastening material	13	
<b>G</b>		
gas nozzles	6	
gaskets for heated units	11	
<b>H</b>		
heating elements	3	
heating elements for pizza ovens	3	
hoses	13	
<b>I</b>		
immersion heating elements	3	
industrial hoses	13	
<b>K</b>		
knurled screws	14	
<b>L</b>		
lamps	5	
<b>M</b>		
magnetic switches	5	
microswitches	4	
<b>O</b>		
O-rings	11	
oven hinges	11	
oven lamps	5	
<b>P</b>		
pressure switches	6	
programme timers	5	
pumps	6	
push/momentary push switches	4	
PVC hoses	13	
<b>R</b>		
rocker/momentary rocker switches	4	
<b>S</b>		
safety bi-metal thermostats	3	
screws	13	
switches and momentary switches	4	
<b>T</b>		
thermostats	3	
timers	5	
<b>W</b>		
wash and rinse pumps	6	