



**GAS COMPONENTS**



**ELECTRIC COMPONENTS**



**WATER TECHNOLOGY**



**MECHANICAL COMPONENTS**



**TOOLS**

Spare parts suitable for

**FORCAR**

Find the complete and up-to-date range of products in our GEV Webshop



# Manufacturer catalogue

The most important spare parts and accessories arranged clearly for every manufacturer

- ✓ Complete product range and all appliance data always up to date in the GEV Webshop
- ✓ Alphabetical Index at the end of the catalogue

## GEV Webshop

[www.gev-online.co.uk](http://www.gev-online.co.uk)

[www.gev-online.com](http://www.gev-online.com)




- 🔍 Add to Favourites
- 🔍 Sign In with email address and usual password
- 🔍 Easy-order – place several items in your basket at the same time
- 🔍 Quick Item search – no login needed




## heating elements

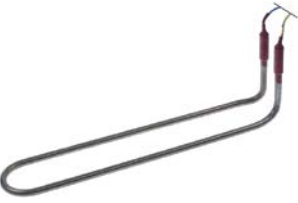
### heating elements for bain maries


|   |   |                 |        |
|---|---|-----------------|--------|
|  |   |                 |        |
| <b>GEV No.</b>  | 417748  | <b>Ref. No.</b> | SL0006 |
| <b>description</b>  | heating element 1200W 230V heating circuits 1 L 365mm W 190mm connection cable 500mm tube ø 6.3mm   |                 |        |
| <b>For models:</b>  | BM11, BM21, BM31, BMV11, BMV21, BMV31, CT1758TD, CT1760TD, CT1765, CT1765A700, CT1766, CT1766A700, CT1770, CT1770A700, CT1771, CT1771A700 |                 |        |

### heating elements for refrigeration

#### heating elements for defrosting


|   |  |                 |                      |
|---|--|-----------------|----------------------|
|  |  |                 |                      |
| <b>GEV No.</b>  | 420150   | <b>Ref. No.</b> | GN650BT.01<br>RC0136 |
| <b>description</b>  | heating element 400W 230V L 290mm W 75mm H 90mm L1 60mm L2 230mm W1 16mm W2 43mm connection spate terminal M4 cable length 1200mm tube ø 10mm refrigeration for evaporator |                 |                      |
| <b>For models:</b>  | GN650BT, GN650BTG, GN650BTM, GN650TN, GN650TNG, GN650TNM   |                 |                      |


|   |   |                 |        |
|---|---|-----------------|--------|
|  |   |                 |        |
| <b>GEV No.</b>  | 420523  | <b>Ref. No.</b> | RC0234 |
| <b>description</b>  | heating element 450W 220V L 400mm W 75mm H 135mm cable length 1480mm tube ø 9.6mm |                 |        |

|   |  |                 |   |
|---|--|-----------------|---|
|  |  |                 |   |
| <b>GEV No.</b>  | 420153   | <b>Ref. No.</b> | GN140BT.02<br>GN1410BT.01<br>PA800BT.01<br>RC0062 |
| <b>description</b>  | heating element 700W L 590mm W 75mm H 115mm L1 60mm L2 530mm W1 13.5mm W2 48mm connection spate terminal M4 cable length 1700mm tube ø 10mm immersion heater refrigeration |                 |   |
| <b>For models:</b>  | GE800BT, GN1410BT, GN1410BTM, GN1410TN, GN1410TNG, GN1410TNM, PA800BT, PA800TN   |                 |   |

### immersion heating elements

#### with expansion flange 70 x 18mm


|  |   |                 |        |
|--|---|-----------------|--------|
|  |   |                 |        |
| <b>GEV No.</b>   | 420058  | <b>Ref. No.</b> | SL0560 |
| <b>description</b>   | heating element 1950W 230V heating circuits 1 flange 70x18mm L 238mm W 64mm connection male faston 6.3mm tube ø 8.5mm |                 |        |

|  |   |                 |        |
|--|---|-----------------|--------|
|  |   |                 |        |
| <b>GEV No.</b>   | 417618  | <b>Ref. No.</b> | SL0004 |
| <b>description</b>   | heating element 2000W   |                 |        |
| <b>For models:</b>   | BM1780, BM1782, BM1784, BM1786, CL2772, CL2774, CL2774W, CL2777, CL2777W, CL2778, CL2778W, CS1751, CS1753, CS1755, CT1756, CT1758, CT1760, CT1762, DC1703, DC1704, ELC2828, ELC2828W, ELC2832, ELC2832W, ELC2834, ELC2834W, ELS2830 |                 |        |

## switches and momentary switches

### rocker/momentary rocker switches

#### 30x22mm

|  |  |                 |                   |
|--|--|-----------------|-------------------|
|  |  |                 |                   |
| <b>GEV No.</b>   | 347791   | <b>Ref. No.</b> | S900.01<br>SL0621 |
| <b>description</b>   | rocker switch mounting measurements 30x22mm green 2NO 230V 20A illuminated 0-l connection male faston 6.3mm ambient temperature max. 125/55°C protection IP65 with rubber collar   |                 |                   |
| <b>For models:</b>   | BC2PS, BC3PS, BI4719, BM11, BM1780, BM1782, BM1784, BM1786, BM21, BM31, BMS1781, BMS1783, BMS1785, BMV11, BMV21, BMV31, CA1439R, CA1439RG, CA1440AC, CA1440ACG, CAR2779, CAR2780, CAR2780BT, CL2772, CL2774, CL2774W, CL2775, CL2775W, CL2776, CL2776W, CL2777, CL2777W, CL2778, CL2778W, CL2781, CL2781W, CLR2782, CLR2782W, CLR2784, CLR2786, CLR2786W, CLR2787, CLR2787BT, CLR2787BTW, CLR2787W, CLR2788, CLR2788BT, CLR2788BTW, CLR2788W, CS1751...(Other models you can see in the webshop) |                 |                   |

microswitches

with push button

switches with snap-fit



|                    |  |                 |                      |
|--------------------|--|-----------------|----------------------|
| <b>GEV No.</b>     | 346772   | <b>Ref. No.</b> | GN650TN.48<br>RC0228 |
| <b>description</b> | microswitch with push button 250V 5A 1CO connection male faston 4.8mm L 24x27mm ambient temperature max. 85°C actuating force: 160g  |                 |                      |
| <b>For models:</b> | GE800BT, GN1200BT, GN1200DT, GN1200DTV, GN1200TN, GN1410BT, GN1410BTM, GN1410TN, GN1410TNG, GN1410TNM, GN600BT, GN600DTV, GN600TN, GN650BT, GN650BTG, GN650BTM, GN650TN, GN650TNG, GN650TNM, GNB1200BT, GNB1200TN, GNB600BT, GNV1200DT, GNV600DT, PA800BT, PA800TN, SNACK400BT, SNACK400SBT, SNACK400STN, SNACK400TN |                 |                      |

|                        |  |        |                 |                   |
|------------------------|--|--------|-----------------|-------------------|
| <b>accessories for</b> | 378256   |        |                 |                   |
|                        | <b>GEV No.</b>   | 378194 | <b>Ref. No.</b> | —                 |
|                        | temperature probe NTC 10kOhm cable PVC probe -20 up to +80°C cable -10 up to 100°C probe ø7x24.5mm cable length 1.5m without screw connection 2-wire           |        |                 |                   |
|                        | <b>GEV No.</b>   | 379057 | <b>Ref. No.</b> | —                 |
|                        | temperature probe NTC 10kOhm cable PVC probe -20 up to +80°C cable -10 up to 100°C probe ø6x25mm cable length 3m 2-wire  |        |                 |                   |
|                        | <b>GEV No.</b>   | 379160 | <b>Ref. No.</b> | —                 |
|                        | temperature probe NTC 10kOhm cable thermoplastic probe -40 up to +110°C cable -40 up to +110°C probe ø6x14mm cable length 1.5m without screw connection 2-wire |        |                 |                   |
|                        | <b>GEV No.</b>   | 379161 | <b>Ref. No.</b> | RC0321<br>S900.32 |
|                        | temperature probe NTC 10kOhm cable thermoplastic probe -40 up to +110°C cable -40 up to +110°C probe ø6x14mm cable length 3m without screw connection 2-wire   |        |                 |                   |
|                        | <b>GEV No.</b>   | 379343 | <b>Ref. No.</b> | —                 |
|                        | temperature probe NTC 10kOhm cable silicone probe -40 up to +110°C cable -50 up to +180°C probe ø6x40mm cable length 3m 2-wire                                 |        |                 |                   |
|                        | <b>GEV No.</b>   | 379458 | <b>Ref. No.</b> | —                 |
|                        | temperature probe NTC 10kOhm cable silicone probe -40 up to +110°C cable -50 up to +180°C probe ø6x40mm cable length 1.5m without screw connection 2-wire      |        |                 |                   |

lamps

indicator lights

indicator lights (complete)

30x22mm



|                    |   |                 |                      |
|--------------------|---|-----------------|----------------------|
| <b>GEV No.</b>     | 346965  | <b>Ref. No.</b> | GN650BT.08<br>RC0109 |
| <b>description</b> | indicator light mounting measurements 30x22mm 230V yellow |                 |                      |



|                    |  |                 |                                    |
|--------------------|--|-----------------|------------------------------------|
| <b>GEV No.</b>     | 378273   | <b>Ref. No.</b> | GN650BT.16<br>GN650TN.47<br>SL0050 |
| <b>description</b> | electronic controller DIXELL XR06CX-5N0C1 mounting measurements 71x29mm 230V voltage AC NTC -40 up to +110°C display 2½ digit DEF Relay 8A fan relay 8A compressor relay 20A   |                 |                                    |
| <b>For models:</b> | GE800BT, GN1200DTV, GN1410BT, GN1410BTM, GN1410TN, GN1410TNG, GN1410TNM, GN2100BT, GN2100TN, GN2100TNG, GN3100BT, GN3100TN, GN3100TNG, GN3200BT, GN4100BT, GN4100TN, GN4100TNG, GN4200TN, GN600DTV, GN650BT, GN650BTM, GN650TN, GN650TNG, GN650TNM, GNV1200DT, GNV600DT, PA2100TN, PA3100TN, PA800BT, PA800TN, PZ2600TN, PZ2610TN, PZ3600TN, SNACK2100TN, SNACK3100TN, SNACK4100TN, U-GN2100TN, U-GN3100TN, U-GN4100TN |                 |                                    |

electronic controllers

DIXELL

refrigeration controllers

built-in version



|                        |  |                 |                 |                   |
|------------------------|--|-----------------|-----------------|-------------------|
| <b>GEV No.</b>         | 378256   | <b>Ref. No.</b> | S900.02         |                   |
| <b>description</b>     | electronic controller DIXELL XR02CX-5N0C0 mounting measurements 71x29mm built-in depth 56mm 230V voltage AC NTC relay outputs 1 CO-8A(4) NTC protection IP54 defrosting function/time control -40 up to +110°C display 2½ digit  |                 |                 |                   |
| <b>For models:</b>     | BC2PS, GN1200BT, GN1200DT, GN1200TN, GN2200TN, GN600BT, GN600TN, GNB600BT, PS200, PS300, PS900, S900, S901TOP, S902STD, S903, S903PZ, S903TOP, SNACK340, SNACK400SBT, SNACK400STN, SNACK400TN, SNACK638, SS45BT, VRX1200-330, VRX1200-380, VRX1400-330, VRX1500-330, VRX1500-380, VRX1800-330, VRX1800-380, VRX2000-330, VRX2000-380 |                 |                 |                   |
| <b>spare parts for</b> | 378256   |                 |                 |                   |
|                        | <b>GEV No.</b>   | 379161          | <b>Ref. No.</b> | RC0321<br>S900.32 |
|                        | temperature probe NTC 10kOhm cable thermoplastic probe -40 up to +110°C cable -40 up to +110°C probe ø6x14mm cable length 3m without screw connection 2-wire   |                 |                 |                   |



EKTRON

refrigeration controllers

built-in version



|                        |   |                 |                   |
|------------------------|---|-----------------|-------------------|
| <b>GEV No.</b>         | 378034  | <b>Ref. No.</b> | CO0862<br>SL0531  |
| <b>description</b>     | electronic controller EKTRON type REK31ED-0021 mounting measurements 71x29mm 230V voltage AC NTC/PTC relay outputs 1 CO-8A(4) NTC/PTC NTC/PTC built-in depth 71mm defr. funct. yes -50 up to +95°C display 3 digits   |                 |                   |
| <b>For models:</b>     | CA1439RG, CAR2779, CAR2780, CAR2780BT, CLR2782, CLR2782W, CLR2786, CLR2786W, CLR2787, CLR2787BT, CLR2787BTW, CLR2787W, CLR2788, CLR2788BT, CLR2788BTW, CLR2788W, ELR2825, ELR2825W, ELR2826, ELR2826W, ELR2827, ELR2827W, ELS2830, GN1200BT, GN1200TN, GN600BT, GN600TN, GNB1200BT, GNB1200TN, PS200, PS300, PS900, RI330, RI380, S900, S901, S902, S903, S903PZ, S903TOP, SNACK340, SNACK400BT, SNACK400TN, SNACK638, SS45 |                 |                   |
| <b>accessories for</b> | 378034  |                 |                   |
|                        | <b>GEV No.</b>  | 379053          | <b>Ref. No.</b> — |
|                        | temperature probe PTC 1kOhm cable PVC probe -50 up to +150°C cable -10 up to 100°C probe ø6x30mm cable length 3m without screw connection 2-wire  |                 |                   |
|                        | <b>GEV No.</b>  | 379782          | <b>Ref. No.</b> — |
|                        | temperature probe PTC 1kOhm cable thermoplastic probe -50 up to +150°C cable -40 up to +110°C probe ø6x14mm cable length 3m 2-wire resistor 1kOhm   |                 |                   |

|                        |  |                 |                   |
|------------------------|--|-----------------|-------------------|
| <b>GEV No.</b>         | 378118   | <b>Ref. No.</b> | CO0019            |
| <b>description</b>     | electronic controller EKTRON type REK33-1021 mounting measurements 71x29mm 230V voltage AC PTC relay outputs 3 NO-16A NO-8A(4) NO-8A(4) PTC PTC built-in depth 71 mm -50 up to +95°C display 3½ digits |                 |                   |
| <b>accessories for</b> | 378118   |                 |                   |
|                        | <b>GEV No.</b>   | 379052          | <b>Ref. No.</b> — |
|                        | temperature probe PTC 1kOhm cable silicone probe -50 up to +150°C cable -50 up to +180°C probe ø6x40mm cable length 1.5m without screw connection 2-wire   |                 |                   |

probes

universal probes

temperature probes

|                    |  |                 |                   |
|--------------------|--|-----------------|-------------------|
| <b>GEV No.</b>     | 379161   | <b>Ref. No.</b> | RC0321<br>S900.32 |
| <b>description</b> | temperature probe NTC 10kOhm cable thermoplastic probe -40 up to +110°C cable -40 up to +110°C probe ø6x14mm cable length 3m without screw connection 2-wire   |                 |                   |
| <b>For models:</b> | BC2PS, BC3PS, EF400, EF600, ER400, ER400G, ER600, ER600G, GN1200BT, GN1200TN, GN600BT, GN600TN, GNB1200BT, GNB1200TN, PS200, PS300, PS900, RI330, RI380, S900, S901, S901TOP, S902, S902STD, S903, S903PZ, S903TOP, SNACK400BT, SNACK400TN, SS45, SS45BT |                 |                   |

electronics

PCBs

|                    |   |                 |                    |
|--------------------|---|-----------------|--------------------|
| <b>GEV No.</b>     | 402813  | <b>Ref. No.</b> | HR600.07<br>RC0419 |
| <b>description</b> | display PCB for fridge L 150mm W 37mm suitable for ER400/600 with potentiometer with thermostat type LTC-20HT |                 |                    |
| <b>For models:</b> | ER400, ER400G, ER600, ER600G  |                 |                    |

|                    |  |                 |                    |
|--------------------|--|-----------------|--------------------|
| <b>GEV No.</b>     | 402812   | <b>Ref. No.</b> | HF600.07<br>RC0429 |
| <b>description</b> | display PCB refrigerator EF400/600 L 150mm W 38mm with potentiometer with thermostat type LTC-24HT |                 |                    |
| <b>For models:</b> | EF600  |                 |                    |



## compressors

### ACC/ZEL

R134A

LBP monophase

Lower evaporation temperature below -20°C



|                    |   |                 |                   |
|--------------------|---|-----------------|-------------------|
| <b>GEV No.</b>     | 605126  | <b>Ref. No.</b> | RC0047<br>S900.41 |
| <b>description</b> | compressor coolant R134a type OF1350A 220-240V 50Hz LBPkg 1/4HP power input 158W cylinder capacity 7.5cm <sup>3</sup> RSIR H 183mmWWWWWWWWWW ZEL  |                 |                   |
| <b>For models:</b> | BC3PS, ER600, ER600G, GN1200DT, GN1200DTV, GN2100TN, GN2100TNG, GN2200TN, GN3100TN, GN3100TNG, GN600DTV, GN600TN, GNV1200DT, GNV600DT, PA2100TN, PS200, PS300, PS900, PZ2600TN, PZ2610TN, S900, S901, S901TOP, S902, S902STD, SNACK176, SNACK2100TN, SNACK251, SNACK290, SNACK3100TN, SNACK340, SNACK400STN, SNACK400TN, U-GN2100TN, U-GN3100TN, VRX2000-330, VRX2000-380 |                 |                   |

### EMBRACO / ASPERA

R134A

HMBP monophase

High/Medium evaporation temperature above -20/-15 °C



|                    |   |                 |                                  |
|--------------------|---|-----------------|----------------------------------|
| <b>GEV No.</b>     | 605244  | <b>Ref. No.</b> | GN1410TN.11<br>NE1130Z<br>RC0564 |
| <b>description</b> | compressor coolant R134a type FFI12HBK 220-240V 50Hz HMBP 10.8kg 1/3HP cylinder capacity 11.15cm <sup>3</sup> CSIR H 180mm 223W 304W 405W 527W 671W 836W 1024W 1236W 1471W test method EN 12900 |                 |                                  |
| <b>For models:</b> | EF600, GN1200TN, GN1410TN, GN1410TNG, GN1410TNM, SNACK638, SS45BT   |                 |                                  |

## fans

### axial fans



import



|                    |  |                 |                             |
|--------------------|--|-----------------|-----------------------------|
| <b>GEV No.</b>     | 601604 <sup>1</sup>  | <b>Ref. No.</b> | RC0011<br>RC0654<br>S900.34 |
| <b>description</b> | axial fan L 119mm W 119mm H 38mm 230VAC 50/60Hz 17/15W bearing slide bearing manuf. no. AA1282HS-AT connection cable 300mm fan wheel ø 110mm temp.-resist. 70°C input current 0.1A airflow 130m <sup>3</sup> /h 2600rpm  |                 |                             |
| <b>For models:</b> | BC2PS, BC3PS, EF400, EF600, ER400, ER400G, ER600, ER600G, GN1200BT, GN1200DT, GN1200TN, GN600BT, GN600TN, GNB1200BT, GNB1200TN, GNB600BT, PS200, PS300, PS900, RI330, RI380, S900, S901, S902, S902STD, S903, S903PZ, S903TOP, SNACK176, SNACK251, SNACK290, SNACK340, SNACK400BT, SNACK400SBT, SNACK400STN, SNACK400TN, SNACK638, SS45, SS45BT, VRX1200-330, VRX1200-380, VRX1400-330, VRX1500-330, VRX1500-380, VRX1800-330, VRX1800-380, VRX2000-330, VRX2000-380 |                 |                             |

<sup>1</sup>with slide bearings



|   |  |                 |                   |
|---|--|-----------------|-------------------|
| <b>GEV No.</b>  | 601055 <sup>1</sup>  | <b>Ref. No.</b> | GN2100TN.35       |
| <b>description</b>  | axial fan L 92mm W 92mm H 25mm 230VAC 50/60Hz 14.5/14W bearing ball bearing connection male faston 2.8mm metal ADDA fan wheel ø 85mm temp.-resist. 70°C  |                 |                   |
| <b>For models:</b>  | GN2100BT, GN2100TN, GN2100TNG, GN2200TN, GN3100BT, GN3100TN, GN3100TNG, GN4100BT, GN4100TN, GN4100TNG, GN4200TN, PA2100TN, PA3100TN, PZ2600TN, PZ2610TN, PZ3600TN, SNACK2100TN, SNACK3100TN, SNACK340, SNACK4100TN, SNACK638 |                 |                   |
| <b>accessories for</b>  | 601055   |                 |                   |
|  | <b>GEV No.</b>   | 550898          | <b>Ref. No.</b> — |
|   | connecting cable cable length 2000mm connection F 2.8 connection distance 7.9mm for axial flow fan   |                 |                   |
|  | <b>GEV No.</b>   | 691103          | <b>Ref. No.</b> — |
|   | guard ø 90mm mounting distance 83mm for axial fan 92mm   |                 |                   |

<sup>1</sup>with ball bearings



refrigeration fans

refrigeration motors universal

ebm-papst

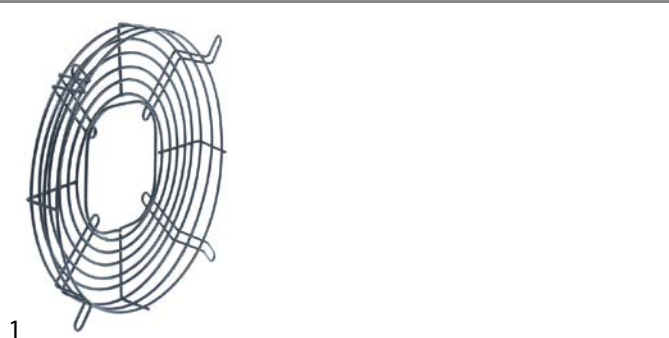
miscellaneous



|   |  |                 |                       |
|---|--|-----------------|-----------------------|
| <b>GEV No.</b>  | 601783   | <b>Ref. No.</b> | GN650TN.34<br>S900.37 |
| <b>description</b>  | fan motor 10W 230V 50/60Hz L3 87mm W 67mm cable length 400mm 1300rpm ebm-papst M4Q045-CA03-51/C18 3 mounting options bearing slide bearing for refrigerated counters   |                 |                       |
| <b>For models:</b>  | GN1200BT, GN1200DT, GN1200DTV, GN1200TN, GN1410BT, GN1410BTM, GN1410TN, GN1410TNG, GN1410TNM, GN2100BT, GN2100TN, GN2100TNG, GN2200TN, GN3100BT, GN3100TN, GN3100TNG, GN3200BT, GN4100BT, GN4100TN, GN4100TNG, GN4200TN, GN600DTV, GN600TN, GN650BT, GN650BTG, GN650BTM, GN650TN, GN650TNG, GN650TNM, GNV1200DT, GNV600DT, PA2100TN, PA3100TN, PA800TN, PS200, PS300, PS900, PZ2600TN, PZ2610TN, PZ3600TN, S900, S901TOP, S902STD, S903, S903PZ, S903TOP, SNACK2100TN, SNACK3100TN, SNACK340, SNACK400SBT... (Other models you can see in the webshop) |                 |                       |
| <b>spare parts for</b>  | 601783   |                 |                       |
|  | <b>GEV No.</b>   | 601413          | <b>Ref. No.</b> —     |
| <b>accessories for</b>  | 601783   |                 |                       |
|  | <b>GEV No.</b>   | 601385          | <b>Ref. No.</b> —     |
|   | fan wheel sucking ø 172mm fan wheel mounting 25.4mm blade angle 34° W 42mm aluminium   |                 |                       |

accessories




fan guards



|                    |   |                 |                   |
|--------------------|---|-----------------|-------------------|
| <b>GEV No.</b>     | 601738  | <b>Ref. No.</b> | RC0219<br>S900.38 |
| <b>description</b> | guard for fan wheel ø 170mm ø 216mm H 30mm mounting distance 1 224 up to 254mm mounting distance 2 94.5mm |                 |                   |
| <b>For models:</b> | PS200, PS900, S901TOP, S902STD, SNACK3100TN, SNACK638, SS45BT, U-GN2100TN, U-GN3100TN, U-GN4100TN         |                 |                   |

cooling motors (complete)



|   |  |                 |                                       |
|---|--|-----------------|---------------------------------------|
| <b>GEV No.</b>  | 601739   | <b>Ref. No.</b> | GN650BT.11<br>RC0229                  |
| <b>description</b>  | fan 230V 10W 50Hz fan wheel ø 230mm shaft L 20mm L 86mm W 67mm blade angle 34° connection spate terminal M4 cable length 1100mm  |                 |                                       |
| <b>For models:</b>  | GE800BT, GN1200BT, GN1200DT, GN1200DTV, GN1200TN, GN1410BT, GN1410BTM, GN1410TN, GN1410TNG, GN1410TNM, GN600BT, GN600DTV, GN600TN, GN650BT, GN650BTG, GN650BTM, GN650TN, GN650TNG, GN650TNM, GNB1200BT, GNB1200TN, GNB600BT, GNV1200DT, GNV600DT, PA800BT, PA800TN, PS200, PS300, PS900, S900, S901, S902, S903, S903PZ, S903TOP, SNACK340, SNACK400BT, SNACK400TN, SNACK638, SS45 |                 |                                       |
| <b>spare parts for</b>  | 601739   |                 |                                       |
|    | <b>GEV No.</b>   | 601172          | <b>Ref. No.</b> —                     |
|   | fan wheel sucking ø 230mm fan wheel mounting 25.4mm blade angle 34° W 50mm aluminium   |                 |                                       |
|   | <b>GEV No.</b>   | 601757          | <b>Ref. No.</b> —                     |
|   | fan motor 10W 230V 50/60Hz L1 43.5mm L3 82mm W 67mm cable length 1500mm 1300/1550rpm ebm-papst M4Q045-CA03-75 5 mounting options bearing slide bearing   |                 |                                       |
|  | <b>GEV No.</b>   | 601783          | <b>Ref. No.</b> GN650TN.34<br>S900.37 |
|   | fan motor 10W 230V 50/60Hz L3 87mm W 67mm cable length 400mm 1300rpm ebm-papst M4Q045-CA03-51/C18 3 mounting options bearing slide bearing for refrigerated counters   |                 |                                       |



|                    |  |                 |        |
|--------------------|--|-----------------|--------|
| <b>GEV No.</b>     | 602042   | <b>Ref. No.</b> | RC1184 |
| <b>description</b> | fan 240V 7.5W 50/60Hz fan wheel ø 100mm mounting distance 95mm ø 150mm |                 |        |



## electric accessories

## cables

## power supply cables



1

|                    |  |                 |        |
|--------------------|--|-----------------|--------|
| <b>GEV No.</b>     | 551085   | <b>Ref. No.</b> | SL0130 |
| <b>description</b> | cable CEE7/7 type E+F 3-pole contacts P+N+E 1.5mm <sup>2</sup> max. 16A max 230V 2m with plug H05VV-F 3G1.5  |                 |        |
| <b>For models:</b> | BI4719, BM11, BM1780, BM1782, BM1784, BM1786, BM21, BM31, BMS1781, BMS1783, BMS1785, BMV11, BMV21, BMV31, CA1439R, CA1439RG, CA1440AC, CA1440ACG, CAR2779, CAR2780, CAR2780BT, CL2772, CL2774, CL2774W, CL2775, CL2775W, CL2776, CL2776W, CL2777, CL2777W, CL2778, CL2778W, CL2781, CL2781W, CLR2782, CLR2782W, CLR2784, CLR2786, CLR2786W, CLR2787, CLR2787BT, CLR2787BTW, CLR2787W, CLR2788, CLR2788BT, CLR2788BTW, CLR2788W, CS1751, CS1753, CS1755...(Other models you can see in the webshop) |                 |        |

## terminal boxes



1

|                    |  |                 |         |
|--------------------|--|-----------------|---------|
| <b>GEV No.</b>     | 551214   | <b>Ref. No.</b> | S900.48 |
| <b>description</b> | terminal box 4-pole L 90mm W 52mm H 28mm with strain relief Qty 1 pcs  |                 |         |
| <b>For models:</b> | PS200, PS300, PS900, S900, S901TOP, S902STD, S903, S903PZ, S903TOP, SNACK176, SNACK251, SNACK290, SS45BT, VRX1200-330, VRX1400-330, VRX1500-330, VRX1500-380, VRX1800-330, VRX1800-380, VRX2000-330, VRX2000-380 |                 |         |



1

|                    |   |                 |                      |
|--------------------|---|-----------------|----------------------|
| <b>GEV No.</b>     | 551090  | <b>Ref. No.</b> | GN650TN.16<br>RC0235 |
| <b>description</b> | terminal box 5-pole L 95mm W 63mm H 27mm  |                 |                      |
| <b>For models:</b> | EF400, EF600, ER400, ER400G, ER600, ER600G, GE800BT, GN1200BT, GN1200DT, GN1200DTV, GN1200TN, GN1410BT, GN1410BTM, GN1410TN, GN1410TNG, GN1410TNM, GN2100BT, GN2100TN, GN2100TNG, GN2200TN, GN3100BT, GN3100TN, GN3100TNG, GN3200BT, GN4100BT, GN4100TN, GN4100TNG, GN4200TN, GN600BT, GN600DTV, GN600TN, GN650BT, GN650BTG, GN650BTM, GN650TN, GN650TNG, GN650TNM, GNB1200BT, GNB1200TN, GNB600BT, GNV1200DT, GNV600DT, PA2100TN, PA3100TN, PA800BT, PA800TN, PZ2600TN, PZ2610TN, RI330, RI380...(Other models you can see in the webshop) |                 |                      |

## equipment-specific units

## for fridges

## housing and bezels

## caps



1

|                    |   |                 |                    |
|--------------------|---|-----------------|--------------------|
| <b>GEV No.</b>     | 692372  | <b>Ref. No.</b> | PS900.03<br>RC0736 |
| <b>description</b> | cap grey ø 16.5mm mounting ø 12.5mm H 7mm Qty 1 pcs   |                 |                    |
| <b>For models:</b> | PS200, PS300, PS900, RI330, RI380, S900, S901, S901TOP, S902, S902STD, S903, S903PZ, S903TOP, SNACK340, SNACK400SBT, SNACK400STN, SNACK638, SS45, SS45BT, VRX1200-330, VRX1200-380, VRX1400-330, VRX1500-330, VRX1500-380, VRX1800-330, VRX1800-380, VRX2000-330, VRX2000-380 |                 |                    |

## miscellaneous



1


|                    |   |                 |                      |
|--------------------|---|-----------------|----------------------|
| <b>GEV No.</b>     | 696413  | <b>Ref. No.</b> | GN650TN.01<br>RC0316 |
| <b>description</b> | screw thread M6 L 18mm  |                 |                      |
| <b>For models:</b> | GN1200BT, GN1200TN, GN1410BT, GN1410BTM, GN1410TN, GN1410TNG, GN1410TNM, GN600BT, GN600TN, GN650BT, GN650BTG, GN650BTM, GN650TN, GN650TNG, GN650TNM, GNB600BT, SNACK400SBT, SNACK400STN, SNACK400TN |                 |                      |

## for refrigerated counters

## spare parts and accessories





1

|   |  |                 |                   |                   |
|---|--|-----------------|-------------------|-------------------|
| <b>GEV No.</b>  | 697917                                       | <b>Ref. No.</b> | CO0140<br>S900.29 |                   |
| <b>description</b>  | fixing plate with opposite support thread M5 |                 |                   |                   |
| <b>For models:</b>  | PS200, PS300, S900, S902STD, S903            |                 |                   |                   |
| <b>accessories for</b>  | 697917                                       |                 |                   |                   |
|  | <b>GEV No.</b>                               | 697916          | <b>Ref. No.</b>   | CO0139<br>S900.28 |
|   | screw bolt with nut L 8mm thread M5 ø 6mm    |                 |                   |                   |









|  |  |                 |                   |
|--|--|-----------------|-------------------|
|  <p>1</p> |  |                 |                   |
| <b>GEV No.</b>   | 697916                                       | <b>Ref. No.</b> | CO0139<br>S900.28 |
| <b>description</b>   | screw bolt with nut L 8mm thread M5 ø 6mm    |                 |                   |
| <b>For models:</b>   | PS200, PS300, PZ2610TN, S900, S902STD, S903  |                 |                   |
| <b>accessories for</b>   | 697916                                       |                 |                   |
|           |  |                 |                   |
| <b>GEV No.</b>   | 697917                                       | <b>Ref. No.</b> | CO0140<br>S900.29 |
| <b>description</b>   | fixing plate with opposite support thread M5 |                 |                   |

## for saladettes

### spare parts and accessories


|  |  |                 |                   |
|--|--|-----------------|-------------------|
|  <p>1</p> |  |                 |                   |
| <b>GEV No.</b>   | 697917                                       | <b>Ref. No.</b> | CO0140<br>S900.29 |
| <b>description</b>   | fixing plate with opposite support thread M5 |                 |                   |
| <b>For models:</b>   | PS200, PS300, S900, S902STD, S903            |                 |                   |
| <b>accessories for</b>   | 697917                                       |                 |                   |
|         |  |                 |                   |
| <b>GEV No.</b>   | 697916                                       | <b>Ref. No.</b> | CO0139<br>S900.28 |
| <b>description</b>   | screw bolt with nut L 8mm thread M5 ø 6mm    |                 |                   |

|  |  |                 |                   |
|--|--|-----------------|-------------------|
|  <p>1</p> |  |                 |                   |
| <b>GEV No.</b>   | 697916                                       | <b>Ref. No.</b> | CO0139<br>S900.28 |
| <b>description</b>   | screw bolt with nut L 8mm thread M5 ø 6mm    |                 |                   |
| <b>For models:</b>   | PS200, PS300, PZ2610TN, S900, S902STD, S903  |                 |                   |
| <b>accessories for</b>   | 697916                                       |                 |                   |
|           |  |                 |                   |
| <b>GEV No.</b>   | 697917                                       | <b>Ref. No.</b> | CO0140<br>S900.29 |
| <b>description</b>   | fixing plate with opposite support thread M5 |                 |                   |

## for dishwashers

### hood mechanics for dishwashers

#### rollers


|  |                           |                 |        |
|--|---------------------------|-----------------|--------|
|  <p>1</p> |                           |                 |        |
| <b>GEV No.</b>   | 694774                    | <b>Ref. No.</b> | RC1207 |
| <b>description</b>   | roller for vitrine L 42mm |                 |        |



## locks


### locking devices

#### producer-specific

##### FORCAR

|   |  |                 |        |
|---|--|-----------------|--------|
|  <p>1</p> |  |                 |        |
| <b>GEV No.</b>  | 692338   | <b>Ref. No.</b> | RC0725 |
| <b>description</b>  | hook H 25mm L 44mm W 30mm hole ø 3.5mm for catch |                 |        |

|   |  |                 |        |
|---|--|-----------------|--------|
|  <p>1</p> |  |                 |        |
| <b>GEV No.</b>  | 692188   | <b>Ref. No.</b> | RC0128 |
| <b>description</b>  | key cylinder with lever ø 17.3mm rotation 90° cam length 49mm cam width 13mm                           |                 |        |
| <b>For models:</b>  | GN1200BT, GN1200TN, GN600BT, GN600TN, GNB1200BT, GNB1200TN, SNACK340, SNACK400BT, SNACK400TN, SNACK638 |                 |        |
| <b>accessories for</b>  | 692188   |                 |        |
|            |  |                 |        |
| <b>GEV No.</b>  | 692338   | <b>Ref. No.</b> | RC0725 |
| <b>description</b>  | hook H 25mm L 44mm W 30mm hole ø 3.5mm for catch   |                 |        |

|   |  |                 |   |
|---|--|-----------------|---|
|  <p>1</p> |  |                 |   |
| <b>GEV No.</b>  | 692148   | <b>Ref. No.</b> | GN2100TN.02<br>GN650TN.86<br>RC0243<br>RC0425 |
| <b>description</b>  | key cylinder with lever ø 17.5mm   |                 |   |
| <b>For models:</b>  | EF400, EF600, ER400, ER400G, ER600, ER600G, GE800BT, GN1200BT, GN1200DT, GN1200DTV, GN1200TN, GN1410BT, GN1410BTM, GN1410TN, GN1410TNG, GN1410TNM, GN2100BT, GN2100TN, GN2100TNG, GN2200TN, GN3100BT, GN3100TN, GN3100TNG, GN3200BT, GN4100BT, GN4100TN, GN4100TNG, GN4200TN, GN600BT, GN600DTV, GN600TN, GN650BT, GN650BTG, GN650BTM, GN650TN, GN650TNG, GN650TNM, GNB600BT, GNV1200DT, GNV600DT, PA2100TN, PA3100TN, PA800BT, PA800TN, PZ2600TN, PZ2610TN, PZ3600TN, SNACK176, SNACK2100TN, SNACK251...(Other models you can see in the webshop) |                 |   |

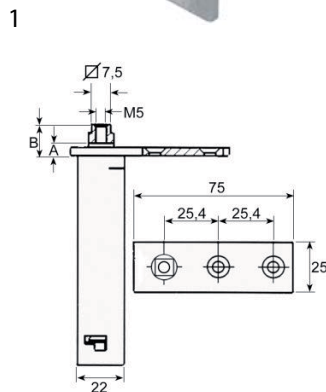
# hinges

## spring assisted hinges

universal

INTERKLIMAT

hinges



|                    |  |                 |                      |
|--------------------|--|-----------------|----------------------|
| <b>GEV No.</b>     | 690622   | <b>Ref. No.</b> | GN650TN.14<br>RC0089 |
| <b>description</b> | spring assisted hinge series 28L mounting pos. left/right L 75mm W 25mm H 103mm A 13mm B 18mm mounting measurements 22x22mm intake 7.5x7.5 refrigeration units   |                 |                      |
| <b>For models:</b> | GE800BT, GN1200BT, GN1200DT, GN1200DTV, GN1200TN, GN1410BT, GN1410BTM, GN1410TN, GN1410TNG, GN1410TNM, GN2100BT, GN2100TN, GN2100TNG, GN2200TN, GN3100BT, GN3100TN, GN3100TNG, GN3200BT, GN4100BT, GN4100TN, GN4100TNG, GN4200TN, GN600BT, GN600DTV, GN600TN, GN650BT, GN650BTG, GN650BTM, GN650TN, GN650TNG, GN650TNM, GNB1200BT, GNB1200TN, GNB600BT, GNV1200DT, GNV600DT, PA2100TN, PA3100TN, PA800BT, PA800TN, PZ2600TN, PZ2610TN, SNACK2100TN, SNACK3100TN, SNACK340, SNACK400BT, SNACK400SBT, SNACK400STN, SNACK400TN, SNACK4100TN...(Other models you can see in the webshop) |                 |                      |

## door bearing



|                    |   |                 |                    |
|--------------------|---|-----------------|--------------------|
| <b>GEV No.</b>     | 700975  | <b>Ref. No.</b> | HF600.19<br>RC0536 |
| <b>description</b> | bolt L 20mm mounting pos. upper/lower thread M5 ø 7mm for hinge |                 |                    |
| <b>For models:</b> | EF400, EF600, ER400, ER400G, ER600, ER600G                      |                 |                    |


|                    |  |                 |         |
|--------------------|--|-----------------|---------|
| <b>GEV No.</b>     | 701257   | <b>Ref. No.</b> | S900.06 |
| <b>description</b> | bolt L 25mm mounting pos. upper thread M5 ø 7mm complete for door hinge Qty 1 pcs  |                 |         |
| <b>For models:</b> | GE800BT, GN1200BT, GN1200DT, GN1200DTV, GN1200TN, GN1410BT, GN1410BTM, GN1410TN, GN1410TNG, GN1410TNM, GN600BT, GN600DTV, GN600TN, GN650BT, GN650BTM, GN650TN, GN650TNG, GN650TNM, GNB600BT, GNV1200DT, PA800BT, PA800TN, PS200, PS300, PS900, S900, S901TOP, S902STD, S903, S903PZ, S903TOP, SNACK400TN, SS45BT |                 |         |


|                    |  |                 |   |
|--------------------|--|-----------------|---|
| <b>GEV No.</b>     | 701032   | <b>Ref. No.</b> | GN2100TN.03<br>GN2100TN.05<br>GN2100TN.06<br>RC0175<br>RC0652 |
| <b>description</b> | bolt L 32.4mm mounting pos. upper thread M8x1.25 ø 5/7mm with nut for door   |                 |   |
| <b>For models:</b> | GN2100BT, GN2100TN, GN2100TNG, GN2200TN, GN3100BT, GN3100TN, GN3100TNG, GN4100BT, GN4100TN, GN4100TNG, GN4200TN, PA2100TN, PA3100TN, PS200, PS300, PS900, PZ2600TN, PZ2610TN, PZ3600TN, S900, S901, S902, S903, S903PZ, S903TOP, SNACK2100TN, SNACK3100TN, SNACK4100TN, SS45, U-GN2100TN, U-GN3100TN, U-GN4100TN |                 |   |


|                    |  |                 |                        |
|--------------------|--|-----------------|------------------------|
| <b>GEV No.</b>     | 700976   | <b>Ref. No.</b> | GN2100TN.07O<br>RC0176 |
| <b>description</b> | bush L 20mm ø 9mm ID ø 7.1mm for hinge   |                 |                        |
| <b>For models:</b> | PS200, PS300, PS900, S900, S901, S902, S903, S903PZ, S903TOP, SNACK340, SNACK638, SS45 |                 |                        |


|                    |  |                 |         |
|--------------------|--|-----------------|---------|
| <b>GEV No.</b>     | 692258   | <b>Ref. No.</b> | S900.55 |
| <b>description</b> | hinge L 30mm W 30mm H 45mm mounting pos. bottom left thickness 3mm |                 |         |





|  |   |                 |         |
|--|---|-----------------|---------|
|  <p>1</p> |   |                 |         |
| <b>GEV No.</b>   | 692374  | <b>Ref. No.</b> | S900.05 |
| <b>description</b>   | hinge L 30mm W 30mm H 45mm mounting pos. bottom right thickness 3mm Qty 1 pcs |                 |         |
| <b>For models:</b>   | PS200, PS300, PS900, S900, S901TOP, S902STD, S903, S903PZ, S903TOP, SS45BT    |                 |         |


|  |  |                 |                    |
|--|--|-----------------|--------------------|
|  <p>2</p> |  |                 |                    |
| <b>GEV No.</b>   | 700974   | <b>Ref. No.</b> | HF600.08<br>RC0535 |
| <b>description</b>   | hinge L 49mm W 40mm H 43mm mounting pos. lower thickness 4mm |                 |                    |
| <b>For models:</b>   | EF400, EF600, ER400, ER400G, ER600, ER600G                   |                 |                    |

|   |   |                 |                    |
|---|---|-----------------|--------------------|
|  <p>1</p> |   |                 |                    |
| <b>GEV No.</b>  | 700973  | <b>Ref. No.</b> | HF600.01<br>RC0534 |
| <b>description</b>  | hinge L 51mm W 40mm mounting pos. upper thickness 3mm |                 |                    |
| <b>For models:</b>  | EF400, EF600, ER400, ER400G, ER600, ER600G            |                 |                    |

|  |  |                 |        |
|--|--|-----------------|--------|
|  <p>1</p> |  |                 |        |
| <b>GEV No.</b>   | 701034   | <b>Ref. No.</b> | RC0064 |
| <b>description</b>   | hinge camp mounting pos. bottom right L 86mm W 46mm H 17mm hole distance 25mm shaft diameter 8x8mm |                 |        |

|  |   |                 |                       |
|--|---|-----------------|-----------------------|
|  <p>1</p> |   |                 |                       |
| <b>GEV No.</b>   | 701033  | <b>Ref. No.</b> | GN2100TN.28<br>RC0063 |
| <b>description</b>   | hinge camp mounting pos. left bottom L 86mm W 44mm H 19mm hole distance 25mm shaft diameter 8x8mm |                 |                       |

|  |   |                 |                      |
|--|---|-----------------|----------------------|
|  <p>1</p> |   |                 |                      |
| <b>GEV No.</b>   | 701035  | <b>Ref. No.</b> | GN650TN.51<br>RC0088 |
| <b>description</b>   | hinge camp mounting pos. upper left L 100mm W 63mm H 30mm hole distance 60mm shaft diameter 8x8mm |                 |                      |

|   |  |                 |                      |
|---|--|-----------------|----------------------|
|  <p>1</p> |  |                 |                      |
| <b>GEV No.</b>  | 701038   | <b>Ref. No.</b> | GN650TN.15<br>RC0087 |
| <b>description</b>  | hinge camp mounting pos. upper right L 99mm W 64mm H 30mm hole distance 60mm shaft diameter 8x8mm  |                 |                      |
| <b>For models:</b>  | GE800BT, GN1200BT, GN1200DT, GN1200DTV, GN1200TN, GN1410BT, GN1410BTM, GN1410TN, GN1410TNG, GN1410TNM, GN600BT, GN600DTV, GN600TN, GN650BT, GN650BTM, GN650TN, GN650TNM, GNB1200BT, GNB1200TN, GNB600BT, GNV1200DT, PA800BT, PA800TN, SNACK400BT, SNACK400SBT, SNACK400STN, SNACK400TN |                 |                      |

## equipment feet and end caps

### screw-in feet


|  |  |                 |                   |
|--|--|-----------------|-------------------|
|  <p>1</p> |  |                 |                   |
| <b>GEV No.</b>   | 700972   | <b>Ref. No.</b> | S900.13<br>SL0494 |
| <b>description</b>   | equipment foot thread M10 thread L 16mm ø 29mm H 11.5mm Qty 1 pcs for fridge   |                 |                   |
| <b>For models:</b>   | BM11, BM21, BM31, CA1439B, CA1439BG, CA1440B, CA1440BG, EF400, EF600, ER400, ER400G, ER600, ER600G, GE800BT, GN2100BT, GN2100TN, GN2100TNG, GN2200TN, GN3100BT, GN3200BT, GN4100BT, GN4100TN, GN4100TNG, GN4200TN, GN650BT, GN650BTG, GN650BTM, GN650TN, GN650TNG, GN650TNM, PA2100TN, PA3100TN, PA800BT, PA800TN, PS200, PS300, PS900, PZ2600TN, S900, S901, S901TOP, S902, S902STD, S903, S903PZ, S903TOP, SNACK2100TN, SNACK340, SNACK4100TN, SNACK638... (Other models you can see in the webshop) |                 |                   |

## baskets

### warewashing baskets

#### accessories

#### cutlery inserts

|   |  |                 |     |
|---|--|-----------------|-----|
|  <p>1</p> |  |                 |     |
| <b>GEV No.</b>  | 972032                                     | <b>Ref. No.</b> | CP8 |
| <b>description</b>  | cutlery insert L 430mm W 205mm ømm H 150mm |                 |     |

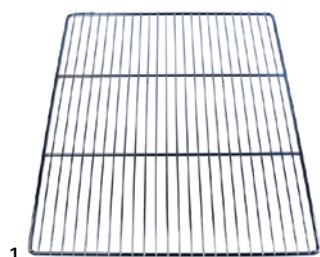





## shelves and shelf rails

### grates

#### universal

#### without upstand



|   |   |                 |                     |
|---|---|-----------------|---------------------|
| <b>GEV No.</b>  | 970123  | <b>Ref. No.</b> | GN650TN.08<br>GRI21 |
| <b>description</b>  | grate W 650mm D 530mm GN 2/1 stainless steel wire gauge frame 7.8mm lengthwise wires gauge 3.8mm crossing wires 2 suitable for refrigerator             |                 |                     |
| <b>For models:</b>  | GN1200DTV, GN1410BT, GN1410BTM, GN1410TN, GN1410TNG, GN1410TNM, GN600DTV, GN650BT, GN650BTG, GN650BTM, GN650TN, GN650TNG, GN650TNM, GNV1200DT, GNV600DT |                 |                     |
| <b>accessories for</b>  | 970123  |                 |                     |
|   | GEV No.   | 690330          | Ref. No. —          |
|    | rack L 1000mm W 22mm H 4mm aperture 3x8mm hole distance 12.5mm stainless steel  |                 |                     |
|   | GEV No.   | 694700          | Ref. No. —          |
|   | shelf support L 31/28mm W 22mm H 18mm SS Qty 12 pcs   |                 |                     |
|   | GEV No.   | 694701          | Ref. No. —          |
|  | shelf support L 31/28mm W 22mm H 17mm SS with hook Qty 12 pcs   |                 |                     |

#### with upstand



|                    |   |                 |        |
|--------------------|---|-----------------|--------|
| <b>GEV No.</b>     | 970772  | <b>Ref. No.</b> | GRP600 |
| <b>description</b> | grate W 650mm D 530mm GN 2/1 H 40mm plastic-coated steel with hinge camp crossing wires 4 |                 |        |

### shelf rails and supports

#### producer-specific



|                    |   |                 |           |
|--------------------|---|-----------------|-----------|
| <b>GEV No.</b>     | 696443  | <b>Ref. No.</b> | S900.10.1 |
| <b>description</b> | pair of setting bar U-shape L 548mm W 20mm inner height 13mm mounting pos. left/right |                 |           |



|                    |   |                 |                                |
|--------------------|---|-----------------|--------------------------------|
| <b>GEV No.</b>     | 696388  | <b>Ref. No.</b> | CG11<br>GN2100TN.31<br>S900.10 |
| <b>description</b> | pair of setting bar U-shape L 550mm W 20mm H 17mm mounting pos. left/right  |                 |                                |
| <b>For models:</b> | GN2100BT, GN2100TN, GN2100TNG, GN2200TN, GN3100BT, GN3100TN, GN3100TNG, GN3200BT, GN4100BT, GN4100TN, GN4100TNG, GN4200TN, PS200, PS300, PS900, S900, S901, S901TOP, S902, S902STD, S903, S903PZ, S903TOP, SS45, SS45BT, U-GN2100TN, U-GN3100TN, U-GN4100TN |                 |                                |



|                    |  |                 |                         |
|--------------------|--|-----------------|-------------------------|
| <b>GEV No.</b>     | 694507   | <b>Ref. No.</b> | AG<br>G350.08<br>RC0361 |
| <b>description</b> | shelf support L 38/26mm W 22mm H 24mm SS Qty 4 pcs             |                 |                         |
| <b>For models:</b> | BC2PS, BC3PS, SNACK176, SNACK251, SNACK290, SNACK340, SNACK638 |                 |                         |

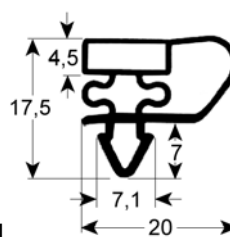
## gaskets

### refrigeration gaskets

#### plug-in gaskets

#### profile 9153

We offer custom-made gaskets for this profile



|                    |  |                 |     |
|--------------------|--|-----------------|-----|
| <b>GEV No.</b>     | 902266   | <b>Ref. No.</b> | N/A |
| <b>description</b> | refrigeration gasket profile 9153 Wmm L 2500mm |                 |     |

**profile 9150**

|                    |  |                 |                   |
|--------------------|--|-----------------|-------------------|
| <b>GEV No.</b>     | 901279   | <b>Ref. No.</b> | RC0072<br>S900.08 |
| <b>description</b> | refrigeration gasket profile 9150 W 395mm L 490mm plug size                          |                 |                   |
| <b>For models:</b> | PS200, PS300, PS900, S900, S901, S901TOP, S902, S902STD, S903, S903PZ, S903TOP, SS45 |                 |                   |

|                    |  |                 |                    |
|--------------------|--|-----------------|--------------------|
| <b>GEV No.</b>     | 901282   | <b>Ref. No.</b> | HF600.06<br>RC0426 |
| <b>description</b> | refrigeration gasket profile 9157 W 750mm L 1700mm plug size |                 |                    |
| <b>For models:</b> | EF600, ER600, ER600G   |                 |                    |

**profile 9157**

|                    |  |                 |                    |
|--------------------|--|-----------------|--------------------|
| <b>GEV No.</b>     | 901281   | <b>Ref. No.</b> | HF400.03<br>RC0421 |
| <b>description</b> | refrigeration gasket profile 9157 W 570mm L 1650mm plug size Qty 1 |                 |                    |
| <b>For models:</b> | EF400, ER400, ER400G   |                 |                    |

**profile 9041**

|                    |   |                 |                       |
|--------------------|---|-----------------|-----------------------|
| <b>GEV No.</b>     | 901957  | <b>Ref. No.</b> | GN2100TN.33<br>RC0041 |
| <b>description</b> | refrigeration gasket profile 9041 W 385mm L 595mm plug size   |                 |                       |
| <b>For models:</b> | GN2100BT, GN2100TN, GN2200TN, GN3100BT, GN3100TN, GN4100BT, GN4100TN, GN4200TN, SNACK2100TN, SNACK3100TN, SNACK4100TN |                 |                       |

|                    |  |                 |                         |
|--------------------|--|-----------------|-------------------------|
| <b>GEV No.</b>     | 901975   | <b>Ref. No.</b> | RC0199<br>SNACK400TN.06 |
| <b>description</b> | refrigeration gasket profile 9157 W 615mm L 1445mm plug size   |                 |                         |
| <b>For models:</b> | GN1200BT, GN1200DT, GN1200DTV, GN1200TN, GN600BT, GN600DTV, GN600TN, GNB600BT, GNV1200DT, SNACK400SBT, SNACK400STN, SNACK400TN |                 |                         |

|                    |   |                 |                      |
|--------------------|---|-----------------|----------------------|
| <b>GEV No.</b>     | 901958  | <b>Ref. No.</b> | PA2100TN.9<br>RC0162 |
| <b>description</b> | refrigeration gasket profile 9041 W 460mm L 592mm plug size |                 |                      |
| <b>For models:</b> | PA2100TN, PA3100TN, PZ2600TN, PZ2610TN, PZ3600TN            |                 |                      |

|                    |   |                 |                      |
|--------------------|---|-----------------|----------------------|
| <b>GEV No.</b>     | 901333  | <b>Ref. No.</b> | GN650TN.13<br>RC0153 |
| <b>description</b> | refrigeration gasket profile 9157 W 695mm L 1477mm plug size L1 1467mm W1 685mm external size                                   |                 |                      |
| <b>For models:</b> | GE800BT, GN1410BT, GN1410TN, GN4100TN, GN4100TNG, GN4200TN, GN650BT, GN650BTG, GN650TN, PA800BT, PA800TN, PZ3600TN, SNACK4100TN |                 |                      |

**profile 9326**

|                    |  |                 |        |
|--------------------|--|-----------------|--------|
| <b>GEV No.</b>     | 901959   | <b>Ref. No.</b> | RC0770 |
| <b>description</b> | refrigeration gasket profile 9326 W 535mm L 1155mm plug size |                 |        |

## refrigeration cycle components

### valves

#### Schrader valves

##### Schrader valves (complete)



|                    |   |                 |         |
|--------------------|---|-----------------|---------|
| <b>GEV No.</b>     | 750101  | <b>Ref. No.</b> | S900.42 |
| <b>description</b> | Schrader valve complete connection 1/4" SAE L 130mm |                 |         |

### filter driers

#### miscellaneous



|                    |   |                 |             |
|--------------------|---|-----------------|-------------|
| <b>GEV No.</b>     | 750618  | <b>Ref. No.</b> | GN1410TN.14 |
| <b>description</b> | dryer size 15g ø 19mm L 114mm connection 2,7/6,5mm type XH9 Qty 1 pcs   |                 |             |
| <b>For models:</b> | GE800BT, GN1200BT, GN1200DTV, GN1200TN, GN1410BT, GN1410BTM, GN1410TN, GN1410TNG, GN1410TNM, GN2100BT, GN2100TNG, GN3100BT, GN3200BT, GN4100BT, GN4100TNG, GN600BT, GN600TN, GN650BT, GN650BTG, GN650BTM, GN650TN, GN650TNG, GN650TNM, GNB600BT, GNV600DT, PA2100TN, PA3100TN, PA800BT, PA800TN, PZ2600TN, PZ3600TN, SNACK400SBT, SNACK400STN, SNACK400TN |                 |             |



|                    |   |                 |                   |
|--------------------|---|-----------------|-------------------|
| <b>GEV No.</b>     | 750324  | <b>Ref. No.</b> | RC0066<br>S900.44 |
| <b>description</b> | dryer size 20g ø 23mm L 117mm connection 4,8/8,3mm  |                 |                   |
| <b>For models:</b> | GN1200BT, GN1200TN, GN2100TN, GN2200TN, GN3100TN, GN3100TNG, GN4100TN, GN4200TN, GN600BT, GN600TN, GNB1200BT, GNB1200TN, PS200, PS300, PS900, PZ2610TN, RI330, RI380, S900, S901, S901TOP, S902, S902STD, S903, S903PZ, S903TOP, SNACK2100TN, SNACK3100TN, SNACK340, SNACK400BT, SNACK400TN, SNACK4100TN, SNACK638, SS45, SS45BT, U-GN2100TN, U-GN3100TN, U-GN4100TN, VRX1200-330, VRX1200-380, VRX1400-330, VRX1500-330, VRX1500-380, VRX1800-330, VRX1800-380, VRX2000-330, VRX2000-380 |                 |                   |



|                    |  |                 |        |
|--------------------|--|-----------------|--------|
| <b>GEV No.</b>     | 750619   | <b>Ref. No.</b> | RC0768 |
| <b>description</b> | dryer size 30g ø 24mm L 140mm connection 2,6/6,5mm Qty 1 pcs |                 |        |

## REFRIGERATION CYCLE COMPONENTS FORCAR

### refrigeration pipes

#### capillary pipes



|                    |   |                 |                   |
|--------------------|---|-----------------|-------------------|
| <b>GEV No.</b>     | 694442  | <b>Ref. No.</b> | RC0523<br>S900.43 |
| <b>description</b> | capillary pipe ID ø 1.15mm copper Qty 1m L 300mm refrigeration ED ø 2.1mm   |                 |                   |
| <b>For models:</b> | BC2PS, BC3PS, GN1200BT, GN1200TN, GN2100BT, GN2100TN, GN2100TNG, GN2200TN, GN3100BT, GN3100TN, GN3100TNG, GN3200BT, GN4100BT, GN4100TN, GN4100TNG, GN4200TN, GN600BT, GN600TN, GNB600BT, PA2100TN, PA3100TN, PS200, PS300, PS900, PZ2600TN, PZ2610TN, PZ3600TN, S900, S901TOP, S902STD, S903, S903PZ, S903TOP, SNACK2100TN, SNACK3100TN, SNACK340, SNACK400STN, SNACK400TN, SNACK4100TN, SNACK638, SS45BT, U-GN2100TN, U-GN3100TN, U-GN4100TN |                 |                   |



|                    |   |                 |             |
|--------------------|---|-----------------|-------------|
| <b>GEV No.</b>     | 694443  | <b>Ref. No.</b> | GN1410BT.05 |
| <b>description</b> | capillary pipe ID ø 1.4mm copper Qty 1m L 2500mm refrigeration ED ø 2.8mm |                 |             |
| <b>For models:</b> | GN1410BT, GN1410BTM   |                 |             |



1

|                    |   |                 |             |
|--------------------|---|-----------------|-------------|
| <b>GEV No.</b>     | 694444  | <b>Ref. No.</b> | GN1410TN.13 |
| <b>description</b> | capillary pipe ID ø 1.4mm copper Qty 1m L 3000mm refrigeration ED ø 2.8mm |                 |             |
| <b>For models:</b> | GN1410TN, GN1410TNG, GN1410TNM  |                 |             |

copper pipes uninsulated



1

|                    |   |                 |             |
|--------------------|---|-----------------|-------------|
| <b>GEV No.</b>     | 694452  | <b>Ref. No.</b> | GN2100TN.09 |
| <b>description</b> | refrigeration pipe copper ED ø 6mm L 0.5m Qty 1m for evaporator   |                 |             |
| <b>For models:</b> | GN2100BT, GN2100TN, GN2100TNG, GN2200TN, GN3100BT, GN3100TN, GN3100TNG, GN3200BT, GN4100BT, GN4100TN, GN4100TNG, GN4200TN, PA2100TN, PA3100TN, PZ2600TN, PZ2610TN, PZ3600TN, U-GN2100TN, U-GN3100TN, U-GN4100TN |                 |             |



Image not available

1

|                    |  |                 |            |
|--------------------|--|-----------------|------------|
| <b>GEV No.</b>     | 694441   | <b>Ref. No.</b> | GN650TN.40 |
| <b>description</b> | refrigeration pipe insulated copper ID ø 7mm ED ø 8mm L 1.8m suction line                          |                 |            |
| <b>For models:</b> | GE800BT, GN1410TN, GN1410TNG, GN1410TNM, GN650TN, GN650TNG, GN650TNM, PA800BT, PA800TN, SNACK400TN |                 |            |

evaporators

for fridges

producer-specific



1

|                    |   |                 |        |
|--------------------|---|-----------------|--------|
| <b>GEV No.</b>     | 750300  | <b>Ref. No.</b> | RC0589 |
| <b>description</b> | condenser L 170mm W 85mm H 180mm suitable for ER600 |                 |        |



1

|                    |  |                 |                    |
|--------------------|--|-----------------|--------------------|
| <b>GEV No.</b>     | 750294                                       | <b>Ref. No.</b> | HR400.07<br>RC0605 |
| <b>description</b> | evaporator for fridge ER400 L 1000mm W 440mm |                 |                    |
| <b>For models:</b> | ER400, ER400G                                |                 |                    |



1

|                    |  |                 |                    |
|--------------------|--|-----------------|--------------------|
| <b>GEV No.</b>     | 750295                                       | <b>Ref. No.</b> | HR600.04<br>RC0606 |
| <b>description</b> | evaporator for fridge ER600 L 1000mm W 580mm |                 |                    |
| <b>For models:</b> | ER600, ER600G                                |                 |                    |



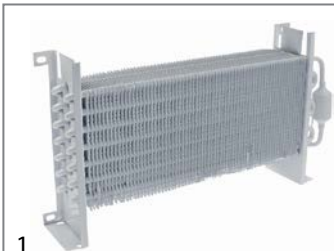
1

|                    |  |                 |                      |
|--------------------|--|-----------------|----------------------|
| <b>GEV No.</b>     | 750410   | <b>Ref. No.</b> | GN650TN.21<br>RC0319 |
| <b>description</b> | evaporator L 216mm W 130mm H 200mm total length 298mm overall width 130mm overall height 220mm |                 |                      |
| <b>For models:</b> | GN650TN, GN650TNG, GN650TNM  |                 |                      |



1

|                    |  |                 |                      |
|--------------------|--|-----------------|----------------------|
| <b>GEV No.</b>     | 750317   | <b>Ref. No.</b> | GN650BT.02<br>RC0283 |
| <b>description</b> | evaporator L 298mm W 152mm H 220mm total length 518mm for fridge |                 |                      |
| <b>For models:</b> | GN650BT, GN650BTG, GN650BTM                                      |                 |                      |



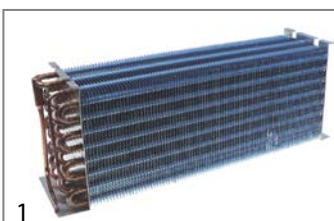
1

|                    |  |                 |                                     |
|--------------------|--|-----------------|-------------------------------------|
| <b>GEV No.</b>     | 750322   | <b>Ref. No.</b> | GN2100TN.18<br>GN2100TN21<br>RC0285 |
| <b>description</b> | evaporator L 505mm W 95mm H 265mm suitable for ER400/ER400G/ER400SS  |                 |                                     |
| <b>For models:</b> | GN2100BT, GN2100TN, GN2100TNG, GN2200TN, GN3100BT, GN3100TN, GN3100TNG, GN4100BT, GN4100TN, GN4100TNG, GN4200TN, PA2100TN, PA3100TN, PZ2600TN, PZ2610TN, PZ3600TN, SNACK2100TN, SNACK3100TN, SNACK4100TN |                 |                                     |



1

|                    |   |                 |                       |
|--------------------|---|-----------------|-----------------------|
| <b>GEV No.</b>     | 750318  | <b>Ref. No.</b> | GN1410TN.01<br>RC0320 |
| <b>description</b> | evaporator L 595mm W 130mm H 220mm for fridge |                 |                       |
| <b>For models:</b> | GN1410TN, GN1410TNG, GN1410TNM                |                 |                       |



1

|                    |   |                 |                       |
|--------------------|---|-----------------|-----------------------|
| <b>GEV No.</b>     | 750321  | <b>Ref. No.</b> | GN1410BT.08<br>RC0221 |
| <b>description</b> | evaporator L 595mm W 130mm H 220mm for fridge |                 |                       |
| <b>For models:</b> | GN1410BT, GN1410BTM                           |                 |                       |

## condensers

### filters



1

|                    |  |                 |         |
|--------------------|--|-----------------|---------|
| <b>GEV No.</b>     | 694587   | <b>Ref. No.</b> | S900.04 |
| <b>description</b> | air filter for condenser L 218mm W 194mm thickness 6mm Qty 1 pcs |                 |         |
| <b>For models:</b> | PS200, PS900, S900, S901TOP, S902STD, SS45BT                     |                 |         |




1

|                    |  |                 |                   |
|--------------------|--|-----------------|-------------------|
| <b>GEV No.</b>     | 694446   | <b>Ref. No.</b> | RC0122<br>S903.08 |
| <b>description</b> | air filter for condenser L 218mm W 205mm thickness 6mm   |                 |                   |
| <b>For models:</b> | GN1200BT, GN1200DT, GN1200DTV, GN1200TN, GN600BT, GN600DTV, GN600TN, GN650TN, GN650TNG, GN650TNM, GN-B1200BT, GN-B1200TN, GNV1200DT, GNV600DT, PA800TN, PS200, PS300, PS900, S900, S901, S902, S903, S903PZ, S903TOP, SNACK400BT, SNACK400SBT, SNACK400STN, SNACK400TN, SS45 |                 |                   |



1


|                    |  |                 |                       |
|--------------------|--|-----------------|-----------------------|
| <b>GEV No.</b>     | 694445   | <b>Ref. No.</b> | GN1410BT.07<br>RC0556 |
| <b>description</b> | air filter for condenser L 245mm W 215mm thickness 6mm |                 |                       |
| <b>For models:</b> | GN1410BT, GN1410BTM                                    |                 |                       |



1

|                    |   |                 |             |
|--------------------|---|-----------------|-------------|
| <b>GEV No.</b>     | 694447  | <b>Ref. No.</b> | GN2100TN.34 |
| <b>description</b> | air filter for condenser W 175mm H 228mm thickness 6mm                                  |                 |             |
| <b>For models:</b> | GN2100TN, GN2200TN, GN3100TN, GN4100TN, GN4200TN, SNACK2100TN, SNACK3100TN, SNACK4100TN |                 |             |

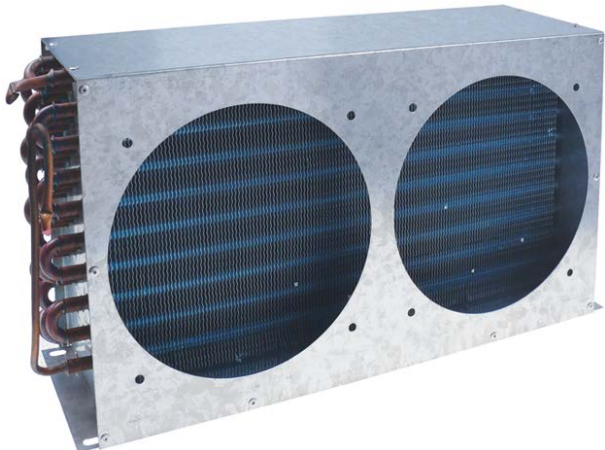




1

|                    |  |                 |        |
|--------------------|--|-----------------|--------|
| <b>GEV No.</b>     | 694860                                     | <b>Ref. No.</b> | RC1340 |
| <b>description</b> | air filter L 218mm W 175mm thickness 4.5mm |                 |        |

condensors



1

|                    |  |                 |                       |
|--------------------|--|-----------------|-----------------------|
| <b>GEV No.</b>     | 750323                                       | <b>Ref. No.</b> | GN1410BT.06<br>RC0292 |
| <b>description</b> | condenser for fridge W 140mm H 271mm L 500mm |                 |                       |
| <b>For models:</b> | GN1410BT, GN1410BTM                          |                 |                       |



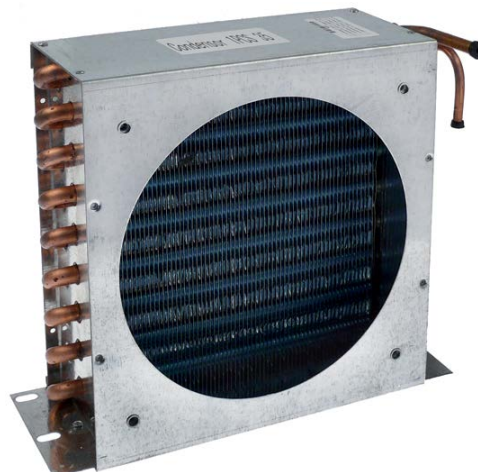
1

|                    |   |                 |                  |
|--------------------|---|-----------------|------------------|
| <b>GEV No.</b>     | 750319  | <b>Ref. No.</b> | RC0201<br>VRX.11 |
| <b>description</b> | condenser for pizza table W 228mm D 77mm H 179mm  |                 |                  |
| <b>For models:</b> | VRX1200-330, VRX1200-380, VRX1400-330, VRX1500-330, VRX1500-380, VRX1800-330, VRX1800-380, VRX2000-330, VRX2000-380 |                 |                  |



1

|                    |  |                 |                       |
|--------------------|--|-----------------|-----------------------|
| <b>GEV No.</b>     | 750320   | <b>Ref. No.</b> | GN2100TN.08<br>RC0286 |
| <b>description</b> | condenser for pizza table W 280mm D 190mm H 230mm  |                 |                       |
| <b>For models:</b> | GN2100BT, GN2100TN, GN2100TNG, GN2200TN, GN3100BT, GN3100TN, GN3100TNG, GN4100BT, GN4100TN, GN4100TNG, GN4200TN, PA2100TN, PA3100TN, PZ2600TN, PZ2610TN, PZ3600TN, SNACK2100TN, SNACK3100TN, SNACK340, SNACK4100TN, SNACK638 |                 |                       |



1

|                    |  |                 |         |
|--------------------|--|-----------------|---------|
| <b>GEV No.</b>     | 750347                                       | <b>Ref. No.</b> | S900.35 |
| <b>description</b> | condenser W 220mm D 100mm H 230mm L 270mm    |                 |         |
| <b>For models:</b> | PS200, PS900, S900, S901TOP, S902STD, SS45BT |                 |         |

## fastening material

## screws

## hexagonal screws



1

|                    |   |                 |                      |
|--------------------|---|-----------------|----------------------|
| <b>GEV No.</b>     | 696413  | <b>Ref. No.</b> | GN650TN.01<br>RC0316 |
| <b>description</b> | screw thread M6 L 18mm  |                 |                      |
| <b>For models:</b> | GN1200BT, GN1200TN, GN1410BT, GN1410BTM, GN1410TN, GN1410TNG, GN1410TNM, GN600BT, GN600TN, GN650BT, GN650BTG, GN650BTM, GN650TN, GN650TNG, GN650TNM, GNB600BT, SNACK400SBT, SNACK400STN, SNACK400TN |                 |                      |

|                                    |    |                                  |    |
|------------------------------------|----|----------------------------------|----|
| <b>A</b>                           |    |                                  |    |
| axial fans                         | 6  |                                  |    |
| <b>C</b>                           |    |                                  |    |
| cables                             | 8  |                                  |    |
| capillary pipes                    | 14 |                                  |    |
| compressors                        | 6  |                                  |    |
| copper pipes uninsulated           | 15 |                                  |    |
| <b>E</b>                           |    |                                  |    |
| electric accessories               | 8  |                                  |    |
| electronic controllers             | 4  |                                  |    |
| evaporators                        | 15 |                                  |    |
| <b>F</b>                           |    |                                  |    |
| fans                               | 6  |                                  |    |
| fastening material                 | 18 |                                  |    |
| filter driers                      | 14 |                                  |    |
| <b>G</b>                           |    |                                  |    |
| grates                             | 12 |                                  |    |
| group 1                            | 14 |                                  |    |
| <b>H</b>                           |    |                                  |    |
| heating elements                   | 3  |                                  |    |
| heating elements for bain maries   | 3  |                                  |    |
| heating elements for defrosting    | 3  |                                  |    |
| heating elements for refrigeration | 3  |                                  |    |
| hexagonal screws                   | 18 |                                  |    |
| <b>I</b>                           |    |                                  |    |
| immersion heating elements         | 3  |                                  |    |
| indicator lights                   | 4  |                                  |    |
| indicator lights (complete)        | 4  |                                  |    |
| <b>L</b>                           |    |                                  |    |
| lamps                              | 4  |                                  |    |
| <b>M</b>                           |    |                                  |    |
| microswitches                      | 4  |                                  |    |
| <b>P</b>                           |    |                                  |    |
| plug-in gaskets                    | 12 |                                  |    |
| power supply cables                | 8  |                                  |    |
| probes                             | 5  |                                  |    |
| <b>R</b>                           |    |                                  |    |
| refrigeration cycle components     | 14 |                                  |    |
| refrigeration fans                 | 7  |                                  |    |
| refrigeration gaskets              | 12 |                                  |    |
| refrigeration motors universal     | 7  |                                  |    |
| refrigeration pipes                | 14 |                                  |    |
|                                    |    | rocker/momentary rocker switches | 3  |
| <b>S</b>                           |    |                                  |    |
|                                    |    | Schrader valves                  | 14 |
|                                    |    | screws                           | 18 |
|                                    |    | shelves and shelf rails          | 12 |
|                                    |    | spring assisted hinges           | 10 |
|                                    |    | switches and momentary switches  | 3  |
| <b>T</b>                           |    |                                  |    |
|                                    |    | temperature probes               | 5  |
|                                    |    | terminal boxes                   | 8  |
| <b>U</b>                           |    |                                  |    |
|                                    |    | universal probes                 | 5  |