



**GAS COMPONENTS**



**ELECTRIC COMPONENTS**



**WATER TECHNOLOGY**



**MECHANICAL COMPONENTS**



**TOOLS**

Spare parts suitable for

**FABA**

Find the complete and up-to-date range of products in our GEV Webshop



# Manufacturer catalogue

The most important spare parts and accessories arranged clearly for every manufacturer

- ✓ Complete product range and all appliance data always up to date in the GEV Webshop
- ✓ Alphabetical Index at the end of the catalogue

## GEV Webshop

[www.gev-online.co.uk](http://www.gev-online.co.uk)

[www.gev-online.com](http://www.gev-online.com)




- 🔍 Add to Favourites
- 🔍 Sign In with email address and usual password
- 🔍 Easy-order – place several items in your basket at the same time
- 🔍 Quick Item search – no login needed




## heating elements

### heating elements for crepes makers



1


<b>GEV No.</b>	416636	<b>Ref. No.</b>	PR30001
<b>description</b>	heating element 2000W 230V L 280mm Wmm H 34mm tube ø 9mm connection M4 dry heating element heating circuits 1 ED ø 305mm crepes maker		



1


<b>GEV No.</b>	416148	<b>Ref. No.</b>	PR10013
<b>description</b>	heating element 800W 230V heating circuits 1 L 175mm W 180mm H 20mm W1 46mm W2 118mm connection length 23mm tube ø 6.3mm windings 3 connection M4 dry heating element		

### heating elements for contact grills




1

<b>GEV No.</b>	416145	<b>Ref. No.</b>	PR10003
<b>description</b>	heating element 1000W 230V L 177mm W 180mm H 18mm W1 46mm W2 88mm tube ø 6.3mm windings 3 connection M4 dry heating element		



1


<b>GEV No.</b>	416173	<b>Ref. No.</b>	PR13007
<b>description</b>	heating element 850W 230V heating circuits 1 L 254mm W 202mm H 25mm W1 68mm W2 66mm connection length 23mm tube ø 6.3mm windings 5 connection M4 number of thermostat sleeves 1 thermostat sleeves ø 5mm length thermostat sleeves 195mm bridge length 240mm dry heating element		



1


<b>GEV No.</b>	416146	<b>Ref. No.</b>	PR103/1
<b>description</b>	heating element 1200W 230V L 180mm W 228mm H 20mm W1 55mm W2 118mm connection length 23mm tube ø 6.3mm windings 4 connection M4 dry heating element		

### quartz heating elements




1

<b>GEV No.</b>	416147	<b>Ref. No.</b>	PR103/2
<b>description</b>	heating element 1500W 230V L 180mm W 175mm H 15mm W1 52mm W2 71mm connection length 22mm tube ø 6.3mm windings 5 connection M4 dry heating element		




1

<b>GEV No.</b>	416144	<b>Ref. No.</b>	PR4G015
<b>description</b>	quartz heating element 300W 115V L 440mm		



1

<b>GEV No.</b>	416142	<b>Ref. No.</b>	P40004
<b>description</b>	quartz heating element L 285mm ø 11mm 800W 230V W 110mm connection eye		



1

<b>GEV No.</b>	416143	<b>Ref. No.</b>	P404/1	
<b>description</b>	quartz heating element L 390mm ø 11mm 1000W 230V W 110mm connection eye			
<b>spare parts for</b>	416143			
	<b>GEV No.</b>	416493	<b>Ref. No.</b>	—
	quartz tube WV L 390mm ID ø 8.5mm ED ø 11mm			

→ electric components



accessories

capillary tube clips



<b>GEV No.</b>	550491	<b>Ref. No.</b>	PR70044
<b>description</b>	capillary tube clip for pipe ø 8.5mm for circular tube heating elements		

spring clips



<b>GEV No.</b>	550419	<b>Ref. No.</b>	PR70042
<b>description</b>	probe clip for pipe ø 8.5mm for probe ø 6mm Qty 1 pcs		



<b>GEV No.</b>	693048	<b>Ref. No.</b>	PR405/7
<b>description</b>	insulator		



<b>GEV No.</b>	693047	<b>Ref. No.</b>	PR405/6+PR405/7
<b>description</b>	insulator complete hole ø 5.3mm ø 16mm		

thermostats

bi-metal thermostats

safety bi-metal thermostats



<b>GEV No.</b>	390187	<b>Ref. No.</b>	PR10015
<b>description</b>	bi-metal safety thermostat hole distance 40mm switch-off temp. 180°C 2NC 2-pole 16A connection F6.3 2 hole fixing		

bi-metal thermostats



<b>GEV No.</b>	390096	<b>Ref. No.</b>	PR40026
<b>description</b>	bi-metal thermostat hole distance mm switch-off temp. 200°C 1NC 1-pole 16A 250V connection F6.3 M4		

control and safety thermostats

EGO

control thermostats

55.10/19\_ series



<b>GEV No.</b>	375264	<b>Ref. No.</b>	PR70009
<b>description</b>	thermostat t.max. 190°C temperature range 80-190°C 1-pole 1NO 16A probe ø 6mm probe L 87mm capillary pipe 570mm capillary pipe isolated mm gland nut shaft L 23mm shaft position lower rotation 270°		



<b>GEV No.</b>	375002	<b>Ref. No.</b>	PR10009
<b>description</b>	thermostat t.max. 320°C temperature range 55-320°C 1-pole 1NO 16A probe ø 3.1mm probe L 226mm capillary pipe 870mm capillary pipe isolated 850mm gland nut shaft L 23mm shaft position upper rotation 270°		




<b>GEV No.</b>	375253	<b>Ref. No.</b>	PR13012
<b>description</b>	thermostat t.max. 455°C temperature range 85-455°C 1-pole 1NO 16A probe ø 3.9mm probe L 228mm capillary pipe 870mm capillary pipe isolated 660mm gland nut shaft ø 6x4.6mm shaft L 23mm shaft position upper rotation 270°		


safety thermostats  
56\_ series



<b>GEV No.</b>	390610	<b>Ref. No.</b>	PR70008
<b>description</b>	safety thermostat switch-off temp. 235°C 1-pole 16A probe ø 3mm probe L 190mm capillary pipe 1000mm capillary pipe isolated 640mm gland nut probe SS		


accessories

probe clips  
spring clips  
for thermostat



<b>GEV No.</b>	550419	<b>Ref. No.</b>	PR70042
<b>description</b>	probe clip for pipe ø 8.5mm for probe ø 6mm Qty 1 pcs		

capillary tube clips




<b>GEV No.</b>	550491	<b>Ref. No.</b>	PR70044
<b>description</b>	capillary tube clip for pipe ø 8.5mm for circular tube heating elements		


switches and momentary switches


rocker/momentary rocker switches


30x22mm



<b>GEV No.</b>	347791	<b>Ref. No.</b>	PR60008
<b>description</b>	rocker switch mounting measurements 30x22mm green 2NO 230V 20A illuminated 0-I connection male faston 6.3mm ambient temperature max. 125/55°C protection IP65 with rubber collar		



<b>GEV No.</b>	345647	<b>Ref. No.</b>	PR4G026	
<b>description</b>	rocker switch mounting measurements 30x22mm red/red 1NO/NO 250V 16A illuminated I/I connection male faston 6.3mm ambient temperature max. 100/55°C protection IP40			
<b>accessories for</b>	345647			
	<b>GEV No.</b>	301036	<b>Ref. No.</b>	—
	protective cover internal size 30x22mm for rocker switch mounting measurementsmm			




<b>GEV No.</b>	345646	<b>Ref. No.</b>	PR40027
<b>description</b>	rocker switch mounting measurements 30x22mm black/orange 1NO/indicator light 250V 16A I-II connection male faston 6.3mm ambient temperature max. 100/55°C protection IP40		

microswitches

pin-plunger actuated

M10



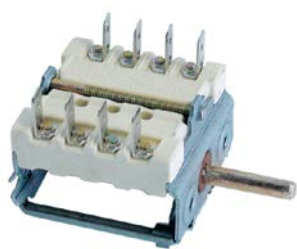
<b>GEV No.</b>	345032	<b>Ref. No.</b>	PR70011
<b>description</b>	microswitch with plunger thread M10x1 thread L 12mm 250V 16A 1CO connection male faston 6.3mm stroke 7mm mounting distance 22mm L 28mm ambient temperature max. 125°C type SP9603 actuating force: 180g		





## cam switches

## on/off



1

<b>GEV No.</b>	300124	<b>Ref. No.</b>	PR10007
<b>description</b>	cam switch ON-OFF connection male faston		

## lamps

## indicator lights

## indicator lights (complete)

ø10mm

with plug-in socket



1

<b>GEV No.</b>	359139	<b>Ref. No.</b>	PR10006
<b>description</b>	indicator light ø 10mm green 230V connection male faston 6.3mm Qty 1 pcs		



1

<b>GEV No.</b>	359140	<b>Ref. No.</b>	PR10010
<b>description</b>	indicator light ø 10mm yellow 230V connection male faston 6.3mm Qty 1 pcs		

## timers

## mechanical timers



1

<b>GEV No.</b>	360149	<b>Ref. No.</b>	PR40014
<b>description</b>	timer IT 2-pole operation time 15min impulse mechanical 2NO at 250V 16A permanent position no shaft ø 7x5mm shaft 7x5mm shaft L 15mm mounting distance 28mm connection lateral		

## contactors

## ISKRA (FANAL)

## power contactors



1

<b>GEV No.</b>	380213	<b>Ref. No.</b>	PR70015
<b>description</b>	power contactor resistive load 20A 230VAC (AC3/400V) 8.5A/5.5kW main contacts 3NO auxiliary contacts 1NO connection screw connection type Fanal DSL7 10 type ISKRA K07M 10		

## gas thermostats

## SABAF



1

<b>GEV No.</b>	101687	<b>Ref. No.</b>	PR3G044
<b>description</b>	gas thermostat SABAF t.max. 300°C gas inlet pipe flange ø16mm bypass nozzle ø 0.37mm gas outlet M13x1 IT (tube ø 8mm) gas outlet 2 thermocouple connection M8x1 pilot connection capillary pipe 850mm probe ø 4mm probe L 140mm shaft ø 8x6.5mm shaft L 17/12mm shaft flat lower		

accessories for 101687

	<b>GEV No.</b>	101277	<b>Ref. No.</b>	—
	<b>GEV No.</b>	101376	<b>Ref. No.</b>	—
	<b>GEV No.</b>	101477	<b>Ref. No.</b>	—
	<b>GEV No.</b>	101751	<b>Ref. No.</b>	PR3G046



## ignition parts

### electrodes

<b>GEV No.</b>	100167	<b>Ref. No.</b>	PR3G033
<b>description</b>	ignition electrode D1 ø 6mm cable length 700mm connection F 2.8x0.8mm D2 ø 8.5mm BL1 14mm BL2 2mm BL3 13mm to clip		

### piezoelectric igniters

#### mounting diameter 18mm

<b>GEV No.</b>	100009	<b>Ref. No.</b>	PR3G047	
<b>description</b>	piezoelectric igniter body plastic blowing mounting ø 18mm connection ø2.4mm front measurements 26mm M18x1.5			
<b>accessories for</b>	100009			
	<b>GEV No.</b>	101339	<b>Ref. No.</b>	—
	cover cap for piezoelectric igniter			
	<b>GEV No.</b>	106869	<b>Ref. No.</b>	—
	cover cap for piezoelectric igniter ID ø 22mm ED ø 35mm H 25mm			
	<b>GEV No.</b>	107931	<b>Ref. No.</b>	—
	cover cap for piezoelectric igniter ID ø 21mm ED ø 36mm			

### thermocouples

#### threaded thermocouples

#### threaded thermocouples standard

#### threaded thermocouples (miscellaneous)

<b>GEV No.</b>	102121	<b>Ref. No.</b>	PR3G034	
<b>description</b>	thermocouple M8x1 L 600mm M6x0.5			
<b>accessories for</b>	102121			
	<b>GEV No.</b>	100892	<b>Ref. No.</b>	—
	thermocouple nut thread M6x0.5 H 6.5mm WS 8 brass Qty 1 pcs			

## gas burners

### hob burners

#### universal hob burners

#### SABAF

#### 1 series

<b>GEV No.</b>	104288	<b>Ref. No.</b>	PR3G029	
<b>description</b>	burner cap 3.6kW ø 120mm			
<b>accessories for</b>	104288			
	<b>GEV No.</b>	104289	<b>Ref. No.</b>	PR3G032
	burner lower part 3/3.6kW for burner cap ø 90/120mm			
	<b>GEV No.</b>	105086	<b>Ref. No.</b>	PR3G030
	burner ring 3.6kW for burner cap ø 120mm			
	<b>GEV No.</b>	105087	<b>Ref. No.</b>	PR3G031
	burner head 3.6kW for burner cap ø 120mm			

<b>GEV No.</b>	105087	<b>Ref. No.</b>	PR3G031	
<b>description</b>	burner head 3.6kW for burner cap ø 120mm			
<b>accessories for</b>	105087			
	<b>GEV No.</b>	104288	<b>Ref. No.</b>	PR3G029
	burner cap 3.6kW ø 120mm			
	<b>GEV No.</b>	105085	<b>Ref. No.</b>	—
	burner cap ø 120mm			
	<b>GEV No.</b>	105086	<b>Ref. No.</b>	PR3G030
	burner ring 3.6kW for burner cap ø 120mm			
	<b>GEV No.</b>	105088	<b>Ref. No.</b>	—
	burner cap A ø 110mm with central hole			
	<b>GEV No.</b>	105089	<b>Ref. No.</b>	—
	burner ring 3kW for burner cap ø 90mm			

<b>GEV No.</b>	104289	<b>Ref. No.</b>	PR3G032	
<b>description</b>	burner lower part 3/3.6kW for burner cap ø 90/120mm			
<b>accessories for</b>	104289			
	<b>GEV No.</b>	104286	<b>Ref. No.</b>	—
	burner cap 3kW ø 90mm			

Table continues overleaf


<b>accessories for</b>	104289		
	GEV No.	104288	Ref. No. PR3G029
	burner cap 3.6kW ø 120mm		
	GEV No.	105086	Ref. No. PR3G030
	burner ring 3.6kW for burner cap ø 120mm		
	GEV No.	105087	Ref. No. PR3G031
	burner head 3.6kW for burner cap ø 120mm		
	GEV No.	105089	Ref. No. —
	burner ring 3kW for burner cap ø 90mm		
	GEV No.	105090	Ref. No. —
	burner head 3kW for burner cap ø 90mm		
	GEV No.	106482	Ref. No. —
	gas injector thread M6x0.75 WS 7 bore ø 1.1mm		
	GEV No.	106485	Ref. No. —
	gas injector thread M6x0.75 WS 7 bore ø 1.6mm		


	1		
<b>GEV No.</b>	105086	<b>Ref. No.</b>	PR3G030
<b>description</b>	burner ring 3.6kW for burner cap ø 120mm		
<b>accessories for</b>	105086		
	GEV No.	105085	Ref. No. —
	burner cap ø 120mm		
	GEV No.	105087	Ref. No. PR3G031
	burner head 3.6kW for burner cap ø 120mm		
	GEV No.	105088	Ref. No. —
	burner cap A ø 110mm with central hole		
	GEV No.	105089	Ref. No. —
	burner ring 3kW for burner cap ø 90mm		


**knobs**

**producer-specific knobs**

**FABA**

	1		
<b>GEV No.</b>	110377	<b>Ref. No.</b>	PR3G048
<b>description</b>	knob switch zero mark ø 40mm shaft ø 8x6.5mm shaft flat upper black		


	1		
<b>GEV No.</b>	110374	<b>Ref. No.</b>	PR10008
<b>description</b>	knob switch zero mark t.max. °C ø 40mm shaft ø 6x4.6mm shaft flat upper black		

	1		
<b>GEV No.</b>	110889	<b>Ref. No.</b>	PR40016
<b>description</b>	knob time 15min ø 44mm black		

**fittings for catering equipment**

**outlet taps**

**universal**

	1		
<b>GEV No.</b>	540747	<b>Ref. No.</b>	PR70014
<b>description</b>	outlet tap chrome-plated brass angled W 30mm H 40mm thread 1/2" IT		

**baskets**

**fryer baskets**

**FABA**


	1		
<b>GEV No.</b>	970236	<b>Ref. No.</b>	PR70005
<b>description</b>	fryer basket L1 280mm W1 210mm H1 110mm		






# springs

## torsion springs

			
1			
<b>GEV No.</b>	700171	<b>Ref. No.</b>	PR13032
<b>description</b>	torsion spring ø 21.4mm L2 40mm wire gauge ø 3.3mm L1 100mm L3 34mm		

			
1			
<b>GEV No.</b>	700170	<b>Ref. No.</b>	PR10012
<b>description</b>	torsion spring ø 22.3mm L2 40mm wire gauge ø 4.1mm L1 131mm		



**B**

bi-metal thermostats 4, 4

**C**

cam switches 6

capillary tube clips 5

contactors 6

control thermostats 4

**G**

gas burners 7

gas thermostats 6

**H**

heating elements 3

heating elements for contact grills 3

hob burners 7

**I**

indicator lights 6

indicator lights (complete) 6

**L**

lamps 6

**M**

mechanical timers 6

microswitches 5

**P**

piezoelectric igniters 7

probe clips 5

**Q**

quartz heating elements 3

**R**

rocker/momentary rocker switches 5

**S**

safety bi-metal thermostats 4

safety thermostats 5

spring clips 5

switches and momentary switches 5

**T**

thermocouples 7

thermostats 4

timers 6