



GAS COMPONENTS



ELECTRIC COMPONENTS



WATER TECHNOLOGY



MECHANICAL COMPONENTS



TOOLS

Spare parts suitable for

DITOSAMA

Find the complete and up-to-date range of products in our GEV Webshop



Manufacturer catalogue

The most important spare parts and accessories arranged clearly for every manufacturer

- ✓ Complete product range and all appliance data always up to date in the GEV Webshop
- ✓ Alphabetical Index at the end of the catalogue

GEV Webshop

www.gev-online.co.uk

www.gev-online.com



- 🔍 Add to Favourites
- 🔍 Sign In with email address and usual password
- 🔍 Easy-order – place several items in your basket at the same time
- 🔍 Quick Item search – no login needed



equipment-specific units

for vegetable slicers

ejector discs



1

GEV No.	699131	Ref. No.	4277
description	ejector disc H 15mm ø 190mm seat ø 23/28mm		



1

GEV No.	699111	Ref. No.	20-9209
description	ejector disc H 30mm ø 179mm shaft diameter 14x11mm		

plungers



1

GEV No.	699399	Ref. No.	4255
description	plunger L 175mm plastic		

for potato peelers

lids



1

GEV No.	696727	Ref. No.	18116
description	lid ø 310mm ID ø 275mm H 60mm mounting distance 90mm plastic		

for planetary mixers

miscellaneous



1

GEV No.	699257	Ref. No.	24679 24748
description	cotter pin set ø 8mm L 34mm		

for hand blenders

spare parts and accessories



1

GEV No.	651048	Ref. No.	15906
description	coupling D1 ø 16mm L 33mm Qty 5 pcs int. ø 1 7.4mm		

blender sticks

spindles

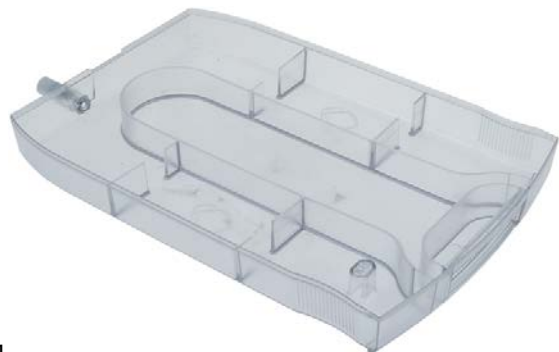


1

GEV No.	698358	Ref. No.	0D3022
description	spindle assembled D1 ø 13.8mm L 320mm aluminium		

for convection ovens/combi-steamers

miscellaneous



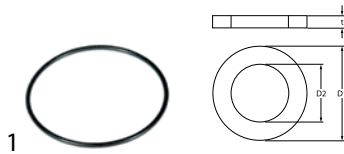
1

GEV No.	696399	Ref. No.	OKB722
description	water container for combi-steamer L 400mm plastic W 238mm		

gaskets

O-rings

EPDM



GEV No.	502203	Ref. No.	OKQ652
description	O-ring EPDM thickness 3mm ID ø 51mm Qty 1 pcs		

foam rubber gaskets



GEV No.	901678	Ref. No.	1179 12111 23534
description	foam rubber gasket Qty 1200mm incl. adhesive for lid		

special gaskets

miscellaneous



GEV No.	901678	Ref. No.	1179 12111 23534
description	foam rubber gasket Qty 1200mm incl. adhesive for lid		

transmission technology and ball bearings

ball bearings

deep-groove ball bearings 2RS



GEV No.	523528	Ref. No.	0HD046
description	deep-groove ball bearing type 6007-2RS shaft ø 35mm ED ø 62mm W 14mm with sealing discs deep-groove ball bearing DIN 625-1		

GEV No.	523511	Ref. No.	3041
description	deep-groove ball bearing type 6203-2RS shaft ø 17mm ED ø 40mm W 12mm with sealing discs deep-groove ball bearing DIN 625-1		

GEV No.	523513	Ref. No.	3043
description	deep-groove ball bearing type 6205-2RS shaft ø 25mm ED ø 52mm W 15mm with sealing discs deep-groove ball bearing DIN 625-1		

GEV No.	523516	Ref. No.	3047
description	deep-groove ball bearing type 6303-2RS shaft ø 17mm ED ø 47mm W 14mm with sealing discs deep-groove ball bearing DIN 625-1		

drive belts

toothed belts



GEV No.	692780	Ref. No.	3013
description	toothed belt profile 150XL075 L 380mm belt width 19mm teeth 75		



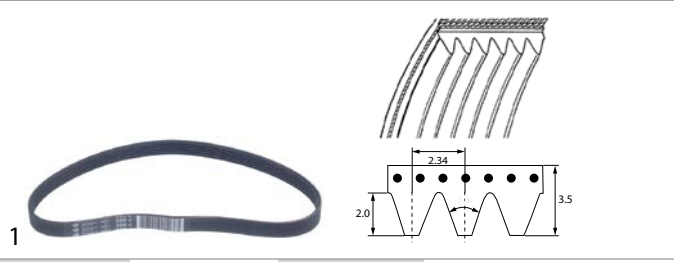
GEV No.	698653	Ref. No.	4668
description	toothed belt profile V L 1000mm CODE 4668 W 31.5mm		



GEV No.	698408	Ref. No.	3024
description	V-belt profile V L 875mm H 13mm teeth 121 splitting 4-3 rubber with textile insertion CODE 3024R W 39mm 414NV		



poly-v belts



GEV No.	698409	Ref. No.	3020
description	poly-v belt grooves 6 W 14mm L 559mm profile J		

springs

gas tension springs

gas tension springs



GEV No.	692685	Ref. No.	FM640011
description	gas tension spring 150N hub 100mm D1 ø 6mm D2 ø 15mm hole distance 260mm hole ø 6mm L 275mm		

F

foam rubber gaskets 4

O

O-rings 4