



**GAS COMPONENTS**



**ELECTRIC COMPONENTS**



**WATER TECHNOLOGY**



**MECHANICAL COMPONENTS**



**TOOLS**

Spare parts suitable for

**CORECO**

Find the complete and up-to-date range of products in our GEV Webshop



# Manufacturer catalogue

The most important spare parts and accessories arranged clearly for every manufacturer

- ✓ Complete product range and all appliance data always up to date in the GEV Webshop
- ✓ Alphabetical Index at the end of the catalogue

## GEV Webshop

[www.gev-online.co.uk](http://www.gev-online.co.uk)

[www.gev-online.com](http://www.gev-online.com)



- 🔍 Add to Favourites
- 🔍 Sign In with email address and usual password
- 🔍 Easy-order – place several items in your basket at the same time
- 🔍 Quick Item search – no login needed



## heating elements

### heating elements for refrigeration

#### heating elements for defrosting



<b>GEV No.</b>	417527	<b>Ref. No.</b>	6021250021
<b>description</b>	heating element 350W 230V L 380mm W 115mm H 12mm cable length 1000mm tube ø 8.5mm defrosting connection with cable		

## thermostats

### refrigeration thermostats

#### RANCO

##### K50 series

RANCO



<b>GEV No.</b>	390427 <sup>1</sup>	<b>Ref. No.</b>	6021350023
<b>description</b>	thermostat RANCO type K50L3389 capillary pipe 1200mm		

<sup>1</sup>incl. knob

## switches and momentary switches

### microswitches

#### with push button

#### switches with snap-fit



<b>GEV No.</b>	346772	<b>Ref. No.</b>	6010310010 6021130012
<b>description</b>	microswitch with push button 250V 5A 1CO connection male faston 4.8mm L 24x27mm ambient temperature max. 85°C actuating force: 160g		

## lamps

### indicator lights

#### indicator lights (complete)

26.5x25.6mm



<b>GEV No.</b>	357173	<b>Ref. No.</b>	6010310011 6021130013
<b>description</b>	indicator light mounting measurements 27.8x25mm red 230V connection male faston 6.3mm temp.-resist. 125°C		

## electronic controllers

### CAREL

#### refrigeration controllers

##### built-in version



<b>GEV No.</b>	378544	<b>Ref. No.</b>	6010370020 6021350097 6021350098
<b>description</b>	electronic controller CAREL 71x29 mounting measurements 71x29mm 230V voltage AC NTC relay outputs 1 CO-12A(2) NTC NTC DI X with probe and fastening material display 3 digits		



<b>GEV No.</b>	378527	<b>Ref. No.</b>	6021350106
<b>description</b>	electronic controller CAREL PYC01L051G mounting measurements 71x29mm built-in depth 74mm 230V voltage AC NTC relay outputs 1 CO-12A(2) NTC NTC DI yes protection IP54 -50 up to +90°C display 3½ digits		



## DIXELL

## refrigeration controllers

## built-in version



1

<b>GEV No.</b>	378526	<b>Ref. No.</b>	6021350114
<b>description</b>	electronic controller DIXELL mounting measurements 30x150mm built-in depth 42mm 230V voltage AC NTC relay outputs 3 NO-16A(8) NO-5A NO-8(3) NTC DI DI incl. probe -40 up to 110°C display 2.5		





## ELIWELL

## refrigeration controllers

## built-in version



1

<b>GEV No.</b>	379645	<b>Ref. No.</b>	6021350015 6021350018
<b>description</b>	electronic controller ELIWELL type ID961 mounting measurements 71x29mm 230V voltage AC NTC/PTC relay outputs 1 relay -55 up to +150°C display 3½ digits compressor relay 15A		
<b>accessories for</b>	379645		
	<b>GEV No.</b>	379053	<b>Ref. No.</b> —
	temperature probe PTC 1kOhm cable PVC probe -50 up to +150°C cable -10 up to 100°C probe ø6x30mm cable length 3m without screw connection 2-wire		
	<b>GEV No.</b>	379064	<b>Ref. No.</b> —
	temperature probe PTC 1kOhm cable silicone probe -50 up to +150°C cable -50 up to +180°C probe ø6x40mm cable length 3m without screw connection 2-wire		
	<b>GEV No.</b>	379161	<b>Ref. No.</b> —
	temperature probe NTC 10kOhm cable thermoplastic probe -40 up to +110°C cable -40 up to +110°C probe ø6x14mm cable length 3m without screw connection 2-wire		
	<b>GEV No.</b>	379782	<b>Ref. No.</b> —
	temperature probe PTC 1kOhm cable thermoplastic probe -50 up to +150°C cable -40 up to +110°C probe ø6x14mm cable length 3m 2-wire resistor 1kOhm		

## probes

## universal probes

## temperature probes



<b>GEV No.</b>	379630	<b>Ref. No.</b>	6021350083
<b>description</b>	temperature probe NTC 10kOhm cable thermoplastic probe -40 up to +110°C cable -40 up to +110°C probe ø6x14mm cable length 2.5m without screw connection 2-wire resistor 10kOhm		

## compressors

## SECOP DANFOSS


## R134A

## MBP monophase

Medium evaporation temperature above -20°C



1

<b>GEV No.</b>	605063	<b>Ref. No.</b>	6021010184
<b>description</b>	compressor coolant R134a type NL7.3MF 220-240V 50/60Hz MBP fully hermetic 10.5kg 1/5HP power input 298W cylinder capacity 7.27cm <sup>3</sup> RSIR/CSIR H 197mmWW 198W 261W 336W 425W 530W 652W 794W test method ASHRAE (50Hz)		
<b>spare parts for</b>	605063		
	<b>GEV No.</b>	381528	<b>Ref. No.</b> —
	start relay DANFOSS 117U6016 HST		




HMBP monophase

High/Medium evaporation temperature above -20/-15 °C



<b>GEV No.</b>	605088	<b>Ref. No.</b>	6010010006 6021010004
<b>description</b>	compressor coolant R134a type FR7.5G 220-240V 50Hz HMBP fully hermetic 10.6kg 1/5HP power input 175W cylinder capacity 6.93cm <sup>3</sup> RSIR/CSIR H 196mm 62W 99W 142W 193W 254W 325W 408W 505W 618W test method ASHRAEW		



<b>GEV No.</b>	605193	<b>Ref. No.</b>	6021010142
<b>description</b>	compressor coolant R134a type NL11MF 220-240V 50Hz HMBP 10.5kg 1/3HP cylinder capacity 11.15cm <sup>3</sup> RSIR/CSIR H 203mmWW 321W 418W 534W 670W 832W 1020W 1239W test method ASHRAE		
<b>spare parts for</b>	605193		
	<b>GEV No.</b>	<b>Ref. No.</b>	—
	start relay DANFOSS 117U6022 HST		


R404a/R507

LBP monophase

Lower evaporation temperature below -20°C




<b>GEV No.</b>	605179	<b>Ref. No.</b>	6021010173
<b>description</b>	compressor coolant R404a/R507 type SC10CLX 220-240V 50Hz LBP 13.1kg 1/3HP cylinder capacity 10.29cm <sup>3</sup> CSIR H 209mm 300W 424W 569W 737W 932W 1154W		

<b>spare parts for</b>	605179		
	<b>GEV No.</b>	<b>Ref. No.</b>	—
	start relay DANFOSS 117U6003 HST		



<b>GEV No.</b>	605057	<b>Ref. No.</b>	6021010001
<b>description</b>	compressor coolant R404a/R507 type SC12CL 220-240V 50Hz LBP fully hermetic 12.5kg 3/8HP cylinder capacity 12.87cm <sup>3</sup> CSIR H 209mm 410W 568W 754W 971W 1220W 1505W test method ASHRAE		

<b>spare parts for</b>	605057		
	<b>GEV No.</b>	<b>Ref. No.</b>	—
	start relay DANFOSS 117U6005 HST		



## fans

## refrigeration fans

## cooling motors (complete)



1

<b>GEV No.</b>	601394	<b>Ref. No.</b>	6021050004
<b>description</b>	fan 230V 5W 50/60Hz fan wheel ø 200mm shaft L 12mm feet depth 71mm L 60mm W 83mm H 83mm blade angle 28° connection cable 500mm		



1

<b>GEV No.</b>	601693	<b>Ref. No.</b>	12033477 6001506002 6021050002
<b>description</b>	fan motor 230V 10W 50/60Hz fan wheel ø 254mm feet depth 85mm W 84mm 1300rpm		

## cross flow fans

## COPREL

## with standard coil



1

<b>GEV No.</b>	602155	<b>Ref. No.</b>	6021050037
<b>description</b>	cross flow fan COPREL FFR roller ø 60mm roller length 180mm laminated core thickness 20mm motor position right 230V 50/60Hz 25W universal bearing silicone connection male faston 6.3mm coil type airflow 144m³/h -10 up to +50°C		

## electric accessories

## cables

## accessories

## cable glands

## cable glands



1

<b>GEV No.</b>	551102	<b>Ref. No.</b>	6003010082
<b>description</b>	cable gland ID ø 10mm mounting ø 12mm Neoprene -30 up to +120°C Qty 1 pcs		

## equipment-specific units

## for fridges

## spare parts and accessories



1

<b>GEV No.</b>	700814	<b>Ref. No.</b>	6003010020
<b>description</b>	bracket for grate for fridge for refrigerated counters plastic		



1

<b>GEV No.</b>	698845	<b>Ref. No.</b>	6003010484
<b>description</b>	protection cap L 15mm W 15mm H 4mm		

## miscellaneous



1

<b>GEV No.</b>	692163	<b>Ref. No.</b>	6010520189
<b>description</b>	hinge for fridge mounting pos. left plastic		



1

<b>GEV No.</b>	692164	<b>Ref. No.</b>	6010520188
<b>description</b>	hinge for fridge mounting pos. right plastic		



for blast chiller



1			
<b>GEV No.</b>	698847	<b>Ref. No.</b>	6003010326
<b>description</b>	drain pipe ø 40mm H 95mm 3/4"		

for refrigerated counters

spare parts and accessories




1			
<b>GEV No.</b>	700814	<b>Ref. No.</b>	6003010020
<b>description</b>	bracket for grate for fridge for refrigerated counters plastic		


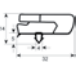


1			
<b>GEV No.</b>	699229	<b>Ref. No.</b>	6000202215 6003010034
<b>description</b>	drain pipe H 29.5mm ø 29.5mm L 29.5mm		

doors



1			
<b>GEV No.</b>	694309	<b>Ref. No.</b>	M169010084
<b>description</b>	door W 630mm H 435mm thickness 40mm		
<b>accessories for</b>	694309		
	<b>GEV No.</b>	690763	<b>Ref. No.</b> 6033010100
	spring assisted hinge right/left L 111mm W 75mm refrigerator mounting distance 25mm		

<b>accessories for</b>	694309		
	<b>GEV No.</b>	690764	<b>Ref. No.</b> —
	bush W 23.5mm H 53.5mm mounting pos. upper/lower ø 16mm ID ø 10mm grey for hinge		
	<b>GEV No.</b>	901164	<b>Ref. No.</b> 6045010119
	refrigeration gasket profile 9797 W 365mm L 560mm plug size		

for display coolers

housing and bezels



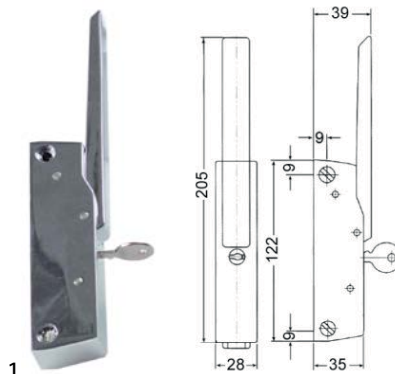
1			
<b>GEV No.</b>	698844	<b>Ref. No.</b>	6003010483
<b>description</b>	bezel for protection L 40mm W 15mm		





locks

edgemoount latches

handle latches

CAFF/FERMOD



1			
<b>GEV No.</b>	700556	<b>Ref. No.</b>	6033010007
<b>description</b>	catch L 122mm mounting distance 104mm lockable refrigeration units G 885 W 28mm handle length 135mm overall height 205mm		
<b>accessories for</b>	700556		
	<b>GEV No.</b>	690418	<b>Ref. No.</b> —
	door catch L 36mm W 19mm H 29mm mounting distance 12mm zinc-coated steel for refrigeration units		
	<b>GEV No.</b>	690419	<b>Ref. No.</b> —
	door catch L 52mm W 20mm H 30mm mounting distance 26-37mm zamak for refrigeration units		
	<b>GEV No.</b>	700061	<b>Ref. No.</b> —
	door catch L 58mm W 20mm H 35mm mounting distance 42mm chrome-plated brass for headed units		
	<b>GEV No.</b>	700435	<b>Ref. No.</b> —
	door catch L 58mm W 20mm H 35mm mounting distance 42mm zamak for refrigeration units		



# hinges

## spring assisted hinges



### producer-specific

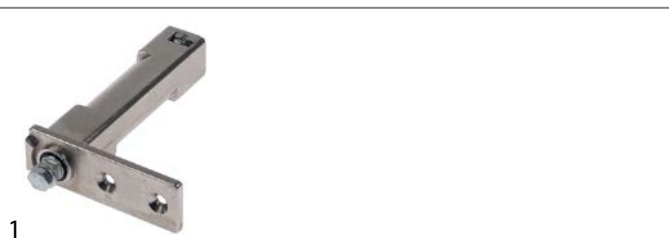
#### CORECO





<b>GEV No.</b>	692433	<b>Ref. No.</b>	M169090003 M169090003+6033010098+4x6003010
<b>description</b>	spring assisted hinge complete mounting pos. left		
<b>spare parts for</b>	692433		
	<b>GEV No.</b>	691738	<b>Ref. No.</b> 603301009
	hinge L 100mm W 48mm mounting pos. left thickness 5mm for door for refrigerated counters		
	<b>GEV No.</b>	692602	<b>Ref. No.</b> 600301048
	base plate L 100mm W 17mm H 1.5mm mounting distance 28/51mm		





<b>GEV No.</b>	692449	<b>Ref. No.</b>	M169090004
<b>description</b>	spring assisted hinge complete mounting pos. right		
<b>spare parts for</b>	692449		
	<b>GEV No.</b>	691737	<b>Ref. No.</b> M19090004
	hinge L 100mm W 48mm mounting pos. right thickness 5mm for door for refrigerated counters		
	<b>GEV No.</b>	692602	<b>Ref. No.</b> 6003010486
	base plate L 100mm W 17mm H 1.5mm mounting distance 28/51mm		



<b>GEV No.</b>	690763	<b>Ref. No.</b>	6033010100
<b>description</b>	spring assisted hinge right/left L 111mm W 75mm refrigerator mounting distance 25mm		
<b>accessories for</b>	690763		
	<b>GEV No.</b>	691738	<b>Ref. No.</b> 6033010098
	hinge L 100mm W 48mm mounting pos. left thickness 5mm for door for refrigerated counters		
	<b>GEV No.</b>	701161	<b>Ref. No.</b> 6033010130
	hinge camp mounting pos. bottom right L 100mm W 48mm H 17mm shaft diameter 8x8mm		

#### FAGOR



<b>GEV No.</b>	690763	<b>Ref. No.</b>	6033010100
<b>description</b>	spring assisted hinge right/left L 111mm W 75mm refrigerator mounting distance 25mm		
<b>accessories for</b>	690763		
	<b>GEV No.</b>	691738	<b>Ref. No.</b> 6033010098
	hinge L 100mm W 48mm mounting pos. left thickness 5mm for door for refrigerated counters		
	<b>GEV No.</b>	701161	<b>Ref. No.</b> 6033010130
	hinge camp mounting pos. bottom right L 100mm W 48mm H 17mm shaft diameter 8x8mm		

## door bearing

<b>GEV No.</b>	692602	<b>Ref. No.</b>	6003010486
<b>description</b>	base plate L 100mm W 17mm H 1.5mm mounting distance 28/51mm		


<b>GEV No.</b>	691738	<b>Ref. No.</b>	6033010098
<b>description</b>	hinge L 100mm W 48mm mounting pos. left thickness 5mm for door for refrigerated counters		


<b>GEV No.</b>	691737	<b>Ref. No.</b>	M19090004
<b>description</b>	hinge L 100mm W 48mm mounting pos. right thickness 5mm for door for refrigerated counters		

<b>GEV No.</b>	701161	<b>Ref. No.</b>	6033010130
<b>description</b>	hinge camp mounting pos. bottom right L 100mm W 48mm H 17mm shaft diameter 8x8mm		





			
1			
<b>GEV No.</b>	700854	<b>Ref. No.</b>	6033010084
<b>description</b>	hinge camp type TRB/L1 36mm mounting pos. bottom right L 100mm W 48mm H 17mm zinc die cast, chrome-plated hole distance 6.5x51x28mm shaft diameter torx 12x12mmmm		

			
1			
<b>GEV No.</b>	700855	<b>Ref. No.</b>	6033010083
<b>description</b>	hinge camp type TRB/R1 36mm mounting pos. bottom left L 100mm W 48mm H 17mm zinc die cast, chrome-plated hole distance 6.5x51x28mm shaft diameter torx 12x12mmmm		

## pullouts


### drawer slides

			
1			
<b>GEV No.</b>	696478	<b>Ref. No.</b>	6033050006
<b>description</b>	drawer slide L 550mm W 17mm H 60mm pair		


## equipment feet and end caps

### equipment feet

#### with fixing plate


			
1			
<b>GEV No.</b>	701100	<b>Ref. No.</b>	12009104 12033566 6007050017 X260151 X260151000
<b>description</b>	equipment foot tube ø 64mm plate size 82x82mm hole distance 65x65mm H 135-200mm SS size 2 1/2" Qty 1 pcs		

### screw-in feet

			
1			
<b>GEV No.</b>	510115	<b>Ref. No.</b>	6003010275
<b>description</b>	equipment foot thread M10 thread L 40mm ø 30mm H 10mm Qty 1 pcs		
<b>For models:</b>	RVCS1000		

### end caps and plugs

#### for circular pipes


			
1			
<b>GEV No.</b>	698846	<b>Ref. No.</b>	6003010262
<b>description</b>	plug ø 20.5mm H 23.5mm Qty 1 pcs		


## shelves and shelf rails


### grates

#### universal

#### without upstand

			
1			
<b>GEV No.</b>	698836	<b>Ref. No.</b>	6027010003
<b>description</b>	grate W 325mm D 530mm GN 1/1 H 10mm plastic-coated steel wire gauge frame 8mm lengthwise wires gauge 3mm crossing wires 2 grey		

			
1			
<b>GEV No.</b>	698837	<b>Ref. No.</b>	6027010087
<b>description</b>	grate W 560mm D 540mm H 10mm wire gauge frame 8mm lengthwise wires gauge 3.5mm crossing wires 3 grey		




1

<b>GEV No.</b>	698838	<b>Ref. No.</b>	6027010009
<b>description</b>	grate W 650mm D 530mm GN 2/1 H 10mm wire gauge frame 8mm lengthwise wires gauge 3mm crossing wires 2 grey		


shelf rails and supports

producer-specific




1

<b>GEV No.</b>	692664	<b>Ref. No.</b>	6033210017
<b>description</b>	guide L 329mm W 17mm H 17mm mounting pos. left/right		




1

<b>GEV No.</b>	701568	<b>Ref. No.</b>	6033050015
<b>description</b>	guide L 562mm W 16mm H 25.5mm mounting pos. left/right		




1

<b>GEV No.</b>	692110	<b>Ref. No.</b>	6009990002 6009990037 6033050011
<b>description</b>	guide U-shape L 549mm W 15mm H 22mm mounting pos. left/right		




1

<b>GEV No.</b>	692662	<b>Ref. No.</b>	6033050028
<b>description</b>	pair of setting bar L 549mm W 15mm H 24mm mounting pos. left/right		




1

<b>GEV No.</b>	692660	<b>Ref. No.</b>	6033050027
<b>description</b>	pair of setting bar L 562mm W 15mm mounting pos. left/right mounting distance 525mm hook width 12mm inner height 24mm		




1

<b>GEV No.</b>	692661	<b>Ref. No.</b>	6033050029
<b>description</b>	pair of setting bar L 613mm W 15mm H 24mm mounting pos. left/right		




1

<b>GEV No.</b>	692663	<b>Ref. No.</b>	6033050025
<b>description</b>	pair of setting bar L 662mm W 15mm H 24mm mounting pos. left/right		



1

<b>GEV No.</b>	700815	<b>Ref. No.</b>	12037855 12090875 2021500320 6003010124
<b>description</b>	shelf support for grate L 26mm W 20mm H 23mm plastic for fridge		



1

<b>GEV No.</b>	698843	<b>Ref. No.</b>	6033210019
<b>description</b>	shelf support L 42mm W 22mm H 27mm		

# gaskets

## refrigeration gaskets

### plug-in gaskets

#### profile 9013

We offer custom-made gaskets for this profile

<b>GEV No.</b>	901764	<b>Ref. No.</b>	6045010028
<b>description</b>	refrigeration gasket profile 9013 W 1503mm L 685mm plug size		

<b>GEV No.</b>	900902	<b>Ref. No.</b>	6010220024 6045010020
<b>description</b>	refrigeration gasket profile 9013 W 155mm L 375mm plug size		

<b>GEV No.</b>	901529	<b>Ref. No.</b>	6045010122
<b>description</b>	refrigeration gasket profile 9013 W 245mm L 370mm plug size		

<b>GEV No.</b>	900880	<b>Ref. No.</b>	6010520181 6045010012
<b>description</b>	refrigeration gasket profile 9013 W 255mm L 375mm plug size		

<b>GEV No.</b>	901180	<b>Ref. No.</b>	6010220028 6045010006
<b>description</b>	refrigeration gasket profile 9013 W 380mm L 585mm plug size		

<b>GEV No.</b>	900893	<b>Ref. No.</b>	6045010009
<b>description</b>	refrigeration gasket profile 9013 W 450mm L 580mm plug size		

<b>GEV No.</b>	900907	<b>Ref. No.</b>	6045010018
<b>description</b>	refrigeration gasket profile 9013 W 455mm L 770mm plug size		

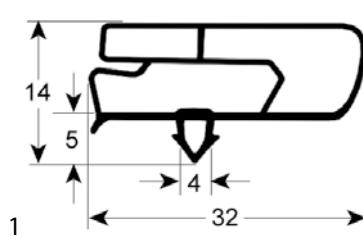
<b>GEV No.</b>	900028	<b>Ref. No.</b>	6010220002 6045010002
<b>description</b>	refrigeration gasket profile 9013 W 618mm L 1500mm plug size door		

<b>GEV No.</b>	901580	<b>Ref. No.</b>	6010220007 6045010033
<b>description</b>	refrigeration gasket profile 9013 W 618mm L 722mm plug size with magnet		

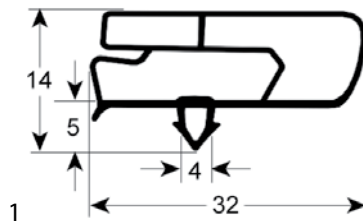
<b>GEV No.</b>	902028	<b>Ref. No.</b>	N/A
<b>description</b>	refrigeration gasket profile 9013 Wmm L 2500mm		

profile 9797

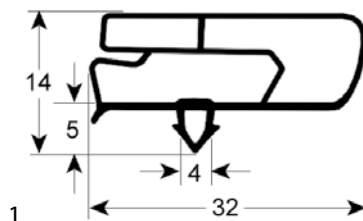
We offer custom-made gaskets for this profile



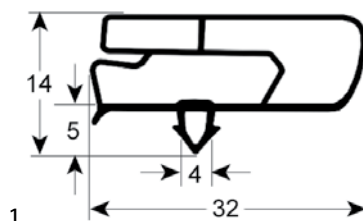
<b>GEV No.</b>	901763	<b>Ref. No.</b>	6045010131
<b>description</b>	refrigeration gasket profile 9797 W 1435mm L 615mm plug size		



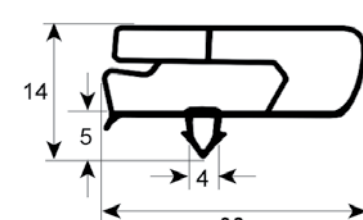
<b>GEV No.</b>	901757	<b>Ref. No.</b>	6045010142
<b>description</b>	refrigeration gasket profile 9797 W 1455mm L 710mm plug size		



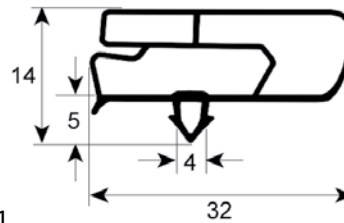
<b>GEV No.</b>	901759	<b>Ref. No.</b>	6010220050 6045010050
<b>description</b>	refrigeration gasket profile 9797 W 1680mm L 580mm plug size		



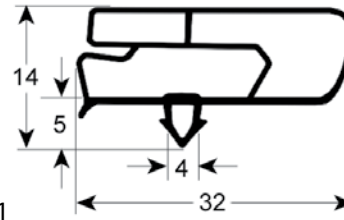
<b>GEV No.</b>	901758	<b>Ref. No.</b>	6045010128
<b>description</b>	refrigeration gasket profile 9797 W 1755mm L 705mm plug size		



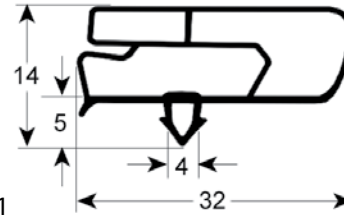
<b>GEV No.</b>	901181	<b>Ref. No.</b>	6045010120
<b>description</b>	refrigeration gasket profile 9797 W 350mm L 370mm plug size		



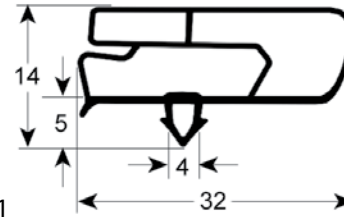
<b>GEV No.</b>	901164	<b>Ref. No.</b>	6045010119
<b>description</b>	refrigeration gasket profile 9797 W 365mm L 560mm plug size		



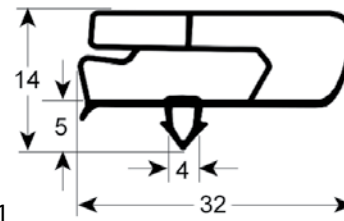
<b>GEV No.</b>	901750	<b>Ref. No.</b>	6045010121
<b>description</b>	refrigeration gasket profile 9797 W 375mm L 140mm plug size		



<b>GEV No.</b>	901832	<b>Ref. No.</b>	450100016
<b>description</b>	refrigeration gasket profile 9797 W 385mm L 1465mm plug size L1 1490mm W1 410mm external size suitable for CORECO		



<b>GEV No.</b>	901825	<b>Ref. No.</b>	6045010117
<b>description</b>	refrigeration gasket profile 9797 W 435mm L 135mm plug size L1 160mm W1 460mm external size suitable for CORECO		



<b>GEV No.</b>	901826	<b>Ref. No.</b>	6045010116
<b>description</b>	refrigeration gasket profile 9797 W 435mm L 345mm plug size L1 370mm W1 460mm external size suitable for CORECO		

<b>GEV No.</b>	901530	<b>Ref. No.</b>	6045010115
<b>description</b>	refrigeration gasket profile 9797 W 440mm L 560mm plug size		

<b>GEV No.</b>	901752	<b>Ref. No.</b>	6045010032
<b>description</b>	refrigeration gasket profile 9797 W 515mm L 440mm plug size		

<b>GEV No.</b>	901754	<b>Ref. No.</b>	6045010124
<b>description</b>	refrigeration gasket profile 9797 W 440mm L 755mm plug size		

<b>GEV No.</b>	901755	<b>Ref. No.</b>	6045010164
<b>description</b>	refrigeration gasket profile 9797 W 525mm L 1325mm plug size		

<b>GEV No.</b>	901751	<b>Ref. No.</b>	6045010118
<b>description</b>	refrigeration gasket profile 9797 W 445mm L 246mm plug size		

<b>GEV No.</b>	901756	<b>Ref. No.</b>	6045010149
<b>description</b>	refrigeration gasket profile 9797 W 525mm L 475mm plug size		

<b>GEV No.</b>	901828	<b>Ref. No.</b>	450100017
<b>description</b>	refrigeration gasket profile 9797 W 465mm L 1465mm plug size L1 1490mm W1 490mm external size suitable for CORECO		

<b>GEV No.</b>	901824	<b>Ref. No.</b>	6045010167
<b>description</b>	refrigeration gasket profile 9797 W 525mm L 615mm plug size L1 640mm W1 550mm external size suitable for CORECO		

<b>GEV No.</b>	901829	<b>Ref. No.</b>	450100018
<b>description</b>	refrigeration gasket profile 9797 W 473mm L 690mm plug size		

<b>GEV No.</b>	901827	<b>Ref. No.</b>	450100005
<b>description</b>	refrigeration gasket profile 9797 W 555mm L 1365mm plug size L1 1490mm W1 580mm external size suitable for CORECO		

<b>GEV No.</b>	901830	<b>Ref. No.</b>	450100014
<b>description</b>	refrigeration gasket profile 9797 W 555mm L 680mm plug size L1 705mm W1 580mm external size suitable for CORECO		

<b>GEV No.</b>	901831	<b>Ref. No.</b>	450100015
<b>description</b>	refrigeration gasket profile 9797 W 725mm L 1465mm plug size L1 1490mm W1 740mm external size suitable for CORECO		

<b>GEV No.</b>	901753	<b>Ref. No.</b>	6045010154
<b>description</b>	refrigeration gasket profile 9797 W 565mm L 440mm plug size		

<b>GEV No.</b>	901761	<b>Ref. No.</b>	6045010053
<b>description</b>	refrigeration gasket profile 9797 W 745mm L 400mm plug size		

<b>GEV No.</b>	900905	<b>Ref. No.</b>	6045010030
<b>description</b>	refrigeration gasket profile 9797 W 610mm L 1500mm plug size L1 1520mm W1 630mm external size		

<b>GEV No.</b>	901762	<b>Ref. No.</b>	6045010062
<b>description</b>	refrigeration gasket profile 9797 W 745mm L 555mm plug size		

<b>GEV No.</b>	901695	<b>Ref. No.</b>	6045010190
<b>description</b>	refrigeration gasket profile 9797 W 615mm L 1490mm plug size external size 636x1506mm		

<b>GEV No.</b>	901760	<b>Ref. No.</b>	6045010054
<b>description</b>	refrigeration gasket profile 9797 W 805mm L 460mm plug size		

<b>GEV No.</b>	901601	<b>Ref. No.</b>	6045010132
<b>description</b>	refrigeration gasket profile 9797 W 615mm L 670mm plug size		

## refrigeration cycle components

### filter driers

### miscellaneous



<b>GEV No.</b>	750119	<b>Ref. No.</b>	6010270002 6047010003
<b>description</b>	dryer size 40g ø 24mm L 167mm connection 6,3/6,3mm		



## evaporators

### for fridges

#### producer-specific



1

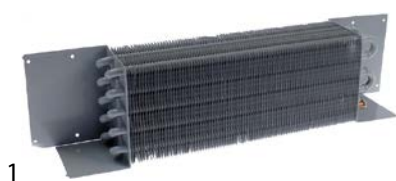
<b>GEV No.</b>	750399	<b>Ref. No.</b>	6029010140
<b>description</b>	evaporator L 330mm W 125mm H 90mm total length 535mm overall width 130mm overall height 93mm connection 12mm suitable for FAGOR		



1

<b>GEV No.</b>	750388	<b>Ref. No.</b>	6029010143
<b>description</b>	evaporator L 405mm W 405mm H 125mm complete with fan		

### for saladettes



1

<b>GEV No.</b>	750614	<b>Ref. No.</b>	6010030043
<b>description</b>	evaporator L 385mm W 130mm D 90mm H 90mm total length 540mm overall width 130mm overall height 90mm mounting distance 1 530mm mounting distance 2 420mm		

## evaporation and condensing trays

### miscellaneous



1

<b>GEV No.</b>	750281	<b>Ref. No.</b>	6003050002
<b>description</b>	evaporation tray L 476mm W 427mm H 100mm		

## coffee accessories

### coffee grounds drawers



1

<b>GEV No.</b>	698839	<b>Ref. No.</b>	6009990065
<b>description</b>	coffee drawer bar ø 35mm L 375mm		





<b>C</b>			
cable glands	6, 6		
cables	6		
coffee grounds drawers	15		
compressors	4		
cross flow fans	6		
<b>E</b>			
edgemount latches	7		
electric accessories	6		
electronic controllers	3		
end caps and plugs	9		
evaporators	15		
<b>F</b>			
fans	6		
filter driers	14		
<b>G</b>			
grates	9		
<b>H</b>			
handle latches	7		
heating elements	3		
heating elements for defrosting	3		
heating elements for refrigeration	3		
<b>I</b>			
indicator lights	3		
indicator lights (complete)	3		
<b>L</b>			
lamps	3		
<b>M</b>			
microswitches	3		
<b>P</b>			
plug-in gaskets	11		
probes	4		
<b>R</b>			
refrigeration cycle components	14		
refrigeration fans	6		
refrigeration gaskets	11		
refrigeration thermostats	3		
<b>S</b>			
shelves and shelf rails	9		
spring assisted hinges	8		
switches and momentary switches	3		
<b>T</b>			
temperature probes	4		
thermostats	3		
<b>U</b>			
universal probes	4		