



**GAS COMPONENTS**



**ELECTRIC COMPONENTS**



**WATER TECHNOLOGY**



**MECHANICAL COMPONENTS**



**TOOLS**

Spare parts suitable for

**BERNER**

Find the complete and up-to-date range of products in our GEV Webshop



# Manufacturer catalogue

The most important spare parts and accessories arranged clearly for every manufacturer

- ✓ Complete product range and all appliance data always up to date in the GEV Webshop
- ✓ Alphabetical Index at the end of the catalogue

## GEV Webshop

[www.gev-online.co.uk](http://www.gev-online.co.uk)

[www.gev-online.com](http://www.gev-online.com)



- 🔍 Add to Favourites
- 🔍 Sign In with email address and usual password
- 🔍 Easy-order – place several items in your basket at the same time
- 🔍 Quick Item search – no login needed



## heating elements

### heating elements for salamanders/toast-

			
1			
<b>GEV No.</b>	416001	<b>Ref. No.</b>	700102
<b>description</b>	radiation heater rectangular 1500W 230/240V L 265mm W 165mm H 32mm heating circuits 1 connections 2 connection type cable cable length 700mm EGO salamander grill		
<b>accessories for</b>	416001		
	<b>GEV No.</b>	390880	<b>Ref. No.</b> —
	safety rod thermostat switch-off temp. 780°C temperature range°C 2-pole 1NC/1NOA probe ø 4mm probe L 170mm capillary pipemm capillary pipe isolatedmm gland nut shaft ømm		
	<b>GEV No.</b>	403523	<b>Ref. No.</b> —
	solid state relay ANLY 1 phase 40A 24-280V 4-32VDC L 47.5mm W 43mm screw type ASR-40DA		


### radiation heaters

			
1			
<b>GEV No.</b>	416001	<b>Ref. No.</b>	700102
<b>description</b>	radiation heater rectangular 1500W 230/240V L 265mm W 165mm H 32mm heating circuits 1 connections 2 connection type cable cable length 700mm EGO salamander grill		
<b>accessories for</b>	416001		
	<b>GEV No.</b>	390880	<b>Ref. No.</b> —
	safety rod thermostat switch-off temp. 780°C temperature range°C 2-pole 1NC/1NOA probe ø 4mm probe L 170mm capillary pipemm capillary pipe isolatedmm gland nut shaft ømm		
	<b>GEV No.</b>	403523	<b>Ref. No.</b> —
	solid state relay ANLY 1 phase 40A 24-280V 4-32VDC L 47.5mm W 43mm screw type ASR-40DA		

## energy regulators

### EGO

#### 1-circuit

			
1			
<b>GEV No.</b>	380015	<b>Ref. No.</b>	— 800400
<b>description</b>	energy regulator 230V 13A single-circuit turn direction right shaft ø 6x4.6mm shaft L 23mm mounting thread M4 power release 6-100% no. 50.57021.010		


## thermostats

### control and safety thermostats

#### EGO

#### safety thermostats

#### 55.32\_ series

			
1			
<b>GEV No.</b>	390787	<b>Ref. No.</b>	300109 300169
<b>description</b>	safety thermostat switch-off temp. 237°C 3-pole 20A probe ø 6mm probe L 98mm capillary pipe 1420mm capillary pipe isolated 1170mm gland nut shaft ø M10x1mm probe		

#### control thermostats with operation switch

#### 55.34\_ series

			
1			
<b>GEV No.</b>	390788	<b>Ref. No.</b>	400300
<b>description</b>	thermostat t.max. 180°C temperature range 0-180°C 3-pole 3NOA probe ø 6mm probe L 130mm capillary pipe 1740mm capillary pipe isolated 1310mm gland nut M10x1 shaft ø 6x4.6mm shaft L 23mm shaft position upper rotation 270° outer switch 2NO/2NO up to 180°C		

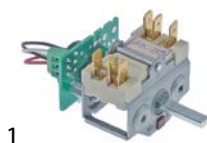
			
1			
<b>GEV No.</b>	375955	<b>Ref. No.</b>	500301 700104
<b>description</b>	thermostat t.max. 310°C temperature range 64-310°C 3-pole 3NO 16A probe ø 3mm probe L 165mm capillary pipe 1590mm capillary pipe isolated 1400mm gland nut shaft ø 6x4.6mm shaft L 23mm shaft position upper shaft position° rotation 270° outer switch 2NO/2NO		



## switches and momentary switches

## cam switches

## with potentiometer



1

<b>GEV No.</b>	300249	<b>Ref. No.</b>	100106 100133 LP1-100108
<b>description</b>	cam switch 2 operating positions 2NO sequence 0-1 16A shaft $\varnothing$ 6x4.6mm shaft L 23mm connection screw 10K/J cable lengthmm 10kOhm ceramic		



1

<b>GEV No.</b>	300199	<b>Ref. No.</b>	100108
<b>description</b>	operation switch 0-1 16A shaft $\varnothing$ 6x4.6mm shaft L 23mm connection male faston 6.3mm 10K/J 2-pole with potentiometer		

## encoders and potentiometers



1

<b>GEV No.</b>	300249	<b>Ref. No.</b>	100106 100133 LP1-100108
<b>description</b>	cam switch 2 operating positions 2NO sequence 0-1 16A shaft $\varnothing$ 6x4.6mm shaft L 23mm connection screw 10K/J cable lengthmm 10kOhm ceramic		



1

<b>GEV No.</b>	300199	<b>Ref. No.</b>	100108
<b>description</b>	operation switch 0-1 16A shaft $\varnothing$ 6x4.6mm shaft L 23mm connection male faston 6.3mm 10K/J 2-pole with potentiometer		

## lamps

## indicator lights

## indicator lights (complete)

 $\varnothing$  8mm

1

<b>GEV No.</b>	359906	<b>Ref. No.</b>	100128
<b>description</b>	indicator light $\varnothing$ 8mm 230V clear cable length 600mm		

## relays

## solid state relays



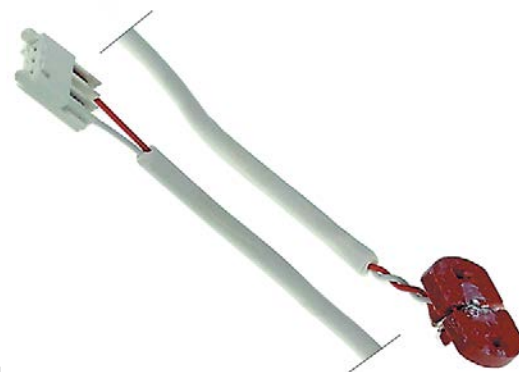
1

<b>GEV No.</b>	381423	<b>Ref. No.</b>	800317 800318
<b>description</b>	relay PANASONIC 250VAC 1NO at 250V 40A manuf. no. AQA611VL		

## probes


## producer-specific probes

## probes




1

<b>GEV No.</b>	378003	<b>Ref. No.</b>	100127
<b>description</b>	temperature probe NTC cable PVC probe -40 up to +125°C cable -10 up to 100°C connection coded plug thread cable length 0.24m		

1

<b>GEV No.</b>	378001	<b>Ref. No.</b>	100114 100363
<b>description</b>	temperature probe Pt1000 probe -70 up to +500°C cable length 0.5m		

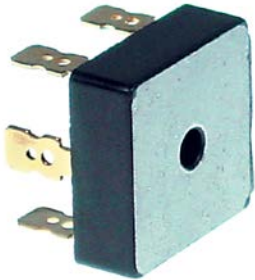


1

<b>GEV No.</b>	378002	<b>Ref. No.</b>	100126
<b>description</b>	temperature probe PTC 1kOhm cable probe -50 up to +150°C cable connection 2-wire thread probe ø2x2mm cable lengthm		

**electronics**


**rectifiers**



1


<b>GEV No.</b>	401501	<b>Ref. No.</b>	100116
<b>description</b>	rectifier		

**PCBs**




1

<b>GEV No.</b>	401496	<b>Ref. No.</b>	500232
<b>description</b>	control PCB		




1

<b>GEV No.</b>	401499	<b>Ref. No.</b>	100119
<b>description</b>	control PCB		




1

<b>GEV No.</b>	402298	<b>Ref. No.</b>	100118 100602
<b>description</b>	control PCB		



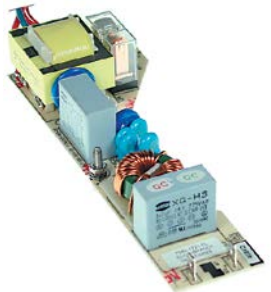
1

<b>GEV No.</b>	401500	<b>Ref. No.</b>	100129
<b>description</b>	display PCB		




1

<b>GEV No.</b>	401495	<b>Ref. No.</b>	500736
<b>description</b>	PCB 2.5kW		



1


<b>GEV No.</b>	401494	<b>Ref. No.</b>	500235
<b>description</b>	PCB flow control valve 3kW		




1

<b>GEV No.</b>	400074	<b>Ref. No.</b>	800501
<b>description</b>	PCB pyroceram range 400V		



			
1			
<b>GEV No.</b>	401497	<b>Ref. No.</b>	100620
<b>description</b>	power PCB		

			
1			
<b>GEV No.</b>	401498	<b>Ref. No.</b>	100120
<b>description</b>	power PCB		

## fans

## axial fans

## import


			
1			
<b>GEV No.</b>	601679	<b>Ref. No.</b>	100302 100329
<b>description</b>	axial fan L 60mm W 60mm H 25mm 24VDC 1.9W bearing magnetic bearing connection cable cable length 300mm SUNON fan wheel ø 55mm temp.-resist. -10 up to +70°C housing plastic		

			
1			
<b>GEV No.</b>	601335 <sup>1</sup>	<b>Ref. No.</b>	100301
<b>description</b>	axial fan L 80mm W 80mm H 25mm 24VDC 1.7W bearing slide bearing connection cable plastic SUNON fan wheel ø 75mm temp.-resist. 70°C		

<sup>1</sup>with slide bearings

## electronic components


## transistor


			
1			
<b>GEV No.</b>	401502	<b>Ref. No.</b>	100115
<b>description</b>	transistor type IGBT		


## knobs

## producer-specific knobs

## BERNER

			
1			
<b>GEV No.</b>	112642	<b>Ref. No.</b>	801110
<b>description</b>	knob energy regulator 1-10 ø 50mm shaft ø 6x4.6mm shaft flat lower		

			
1			
<b>GEV No.</b>	112025	<b>Ref. No.</b>	100117
<b>description</b>	knob potentiometer 1-6 ø 54mm shaft ø 6x4.6mm shaft flat lower		

			
1			
<b>GEV No.</b>	112024	<b>Ref. No.</b>	100107
<b>description</b>	knob potentiometer MIN/MAX ø 54mm shaft ø 6x4.6mm shaft flat lower		

**A**

axial fans 6

**C**

cam switches 4

**E**

energy regulators 3

**F**

fans 6

**H**

heating elements 3

heating elements for salamanders/toasters 3

**I**

indicator lights 4

indicator lights (complete) 4

**L**

lamps 4

**P**

probes 4

**R**

radiation heaters 3

relays 4

**S**

safety thermostats 3

switches and momentary switches 4

**T**

thermostats 3