



GAS COMPONENTS



ELECTRIC COMPONENTS



WATER TECHNOLOGY



MECHANICAL COMPONENTS



TOOLS

Spare parts suitable for

ASSKÜHL

Find the complete and up-to-date range of products in our GEV Webshop



Manufacturer catalogue

The most important spare parts and accessories arranged clearly for every manufacturer

- ✓ Complete product range and all appliance data always up to date in the GEV Webshop
- ✓ Alphabetical Index at the end of the catalogue

GEV Webshop

www.gev-online.co.uk

www.gev-online.com



- 🔍 Add to Favourites
- 🔍 Sign In with email address and usual password
- 🔍 Easy-order – place several items in your basket at the same time
- 🔍 Quick Item search – no login needed



switches and momentary switches

rocker/momentary rocker switches

30x11mm



1

GEV No.	345382	Ref. No.	0910000047
description	rocker switch mounting measurements 30x11mm green 1NO/indicator light 250V 16A 0-I connection male faston 6.3mm ambient temperature max. 85°C protection IP40		

microswitches

lever actuated



1

GEV No.	347683	Ref. No.	E100300010
description	microswitch with lever 250V 12A 1CO connection male faston 6.3mm L 46mm ambient temperature max. 85°C mounting distance 22mm type XGK15-88 actuating force: 25g lever length 32mm		

electronic controllers

EKTRON

refrigeration controllers

built-in version



1

GEV No.	402020	Ref. No.	0910000248
description	electronic controller EKTRON type REK33-0020 mounting measurements 71x29mm 12V voltage AC/DC PTC relay outputs 3 NO-8A(4) NO-8A(4) NO-8A(4) PTC PTC built-in depth 71mm -50 up to +95°C display 3 digits		



1

GEV No.	378118	Ref. No.	0910000267	
description	electronic controller EKTRON type REK33-1021 mounting measurements 71x29mm 230V voltage AC PTC relay outputs 3 NO-16A NO-8A(4) NO-8A(4) PTC PTC built-in depth 71mm -50 up to +95°C display 3½ digits			
accessories for	378118			
	GEV No.	379052	Ref. No.	—
	temperature probe PTC 1kOhm cable silicone probe -50 up to +150°C cable -50 up to +180°C probe ø6x40mm cable length 1.5m without screw connection 2-wire			

probes

producer-specific probes

probes



1

GEV No.	379818	Ref. No.	E200910000
description	temperature probe PTC 1kOhm cable PVC probe -50 up to +150°C cable -10 up to 100°C connection 3-wire thread probe ø6x40mm cable length 1.5m		

fans

refrigeration fans

refrigeration motors universal

IMPORT

multi fit fan motors



1

GEV No.	601022	Ref. No.	0970000045
description	fan motor 10W 230V 50-60Hz L1 44mm L2 54mm L3 85mm W 84mm cable length 500mm 1300rpm YZF10-20-18/26 5 mounting options bearing slide bearing		

locks

locking devices

producer-specific

ASSKÜHL



1

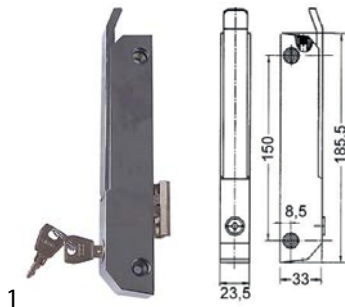
GEV No.	690461	Ref. No.	0910000029 0910000073
description	key cylinder straight thread M19x1 rotation 90° cam length 54mm cam width 16mm		

edgemount latches

handle latches

RAHRBACH

6188 ERGO series



GEV No. 700548 **Ref. No.** 8200000023

description handle latch

spare parts for 700548



GEV No. 690016 **Ref. No.** —
handle latch L 185mm mounting distance 150mm chrome-plated lockable refrigeration units 6188



GEV No. 690110 **Ref. No.** —
base plate H 1mm L 38mm W 11mm mounting distance 26mm plastic



GEV No. 690111 **Ref. No.** —
base plate H 2mm L 38mm W 11mm mounting distance 26mm plastic



GEV No. 700082 **Ref. No.** —
door catch L 38mm W 18mm mounting distance 26mm

spring assisted hinges

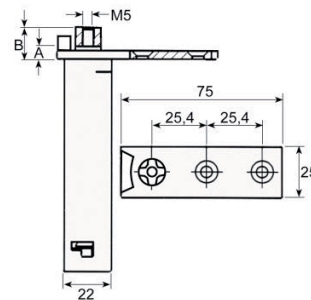
universal

CAFF/FERMOD

group 2



1



GEV No. 690494 **Ref. No.** FX95014601

description spring assisted hinge series 175 mounting pos. left/right torx L 75mm W 25.6mm H 100mm A 4mm B 11mm mounting measurements 22x22mm intake torx refrigeration units mounting distance 25mm

producer-specific

ASSKÜHL



1

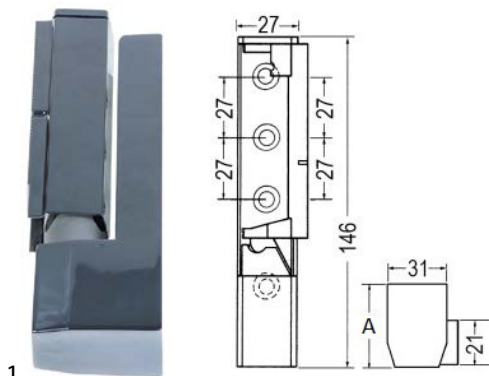
GEV No. 701128 **Ref. No.** M300100020

description spring assisted hinge L 75mm W 25mm H 103mm A 5mm B 13mm shaft length 9mm refrigeration units mounting distance 25.4mm mounting measurements 22x22x100mm intake 7.5x7.5

hinges

edgemount hinges

CHG



1

GEV No. 690296 **Ref. No.** 81000000009

description edgemount hinge L 146mm W 31mm mounting distance 27/27mm hinging left/right with gradient L1 45mm series R50


accessories for 690296



GEV No. 345323 **Ref. No.** —
microswitch with lever 250V 10A 1CO connection male faston ambient temperature max. 105°C

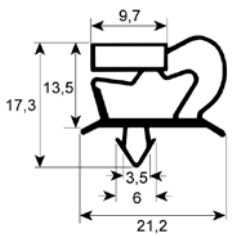


EVERLASTING



1

GEV No.	701128	Ref. No.	M300100020
description	spring assisted hinge L 75mm W 25mm H 103mm A 5mm B 13mm shaft length 9mm refrigeration units mounting distance 25.4mm mounting measurements 22x22x100mm intake 7.5x7.5		



1

GEV No.	900886	Ref. No.	8500000037
description	refrigeration gasket profile 9048 W 670mm L 1680mm external size		

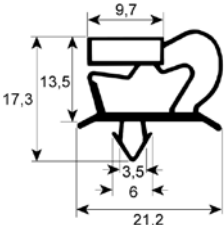
gaskets

refrigeration gaskets

plug-in gaskets

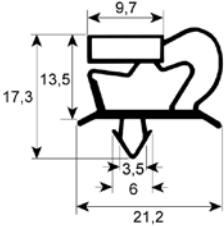
profile 9048

We offer custom-made gaskets for this profile



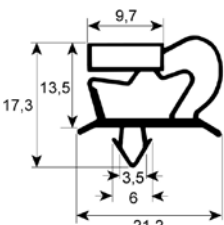
1

GEV No.	900887	Ref. No.	09700000063
description	refrigeration gasket profile 9048 W 635mm L 1565mm plug size		



1

GEV No.	900785	Ref. No.	09700000064
description	refrigeration gasket profile 9048 W 635mm L 735mm plug size		

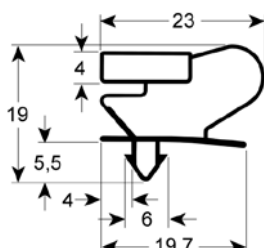


1

GEV No.	900885	Ref. No.	09700000005
description	refrigeration gasket profile 9048 W 660mm L 1570mm plug size		

profile 9046

We offer custom-made gaskets for this profile

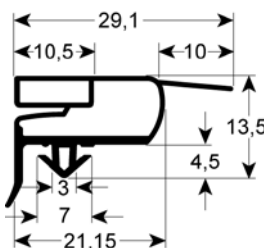


1

GEV No.	902257	Ref. No.	N/A
description	refrigeration gasket profile 9046 Wmm L 2500mm		

profile 9773

We offer custom-made gaskets for this profile

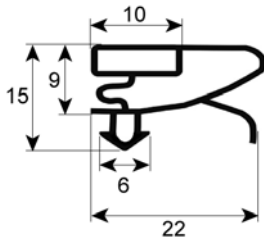


1

GEV No.	900335	Ref. No.	09100000086
description	refrigeration gasket profile 9773 W 690mm L 1550mm external size W1 677mm L1 1537mm plug size		

profile 9753

We offer custom-made gaskets for this profile

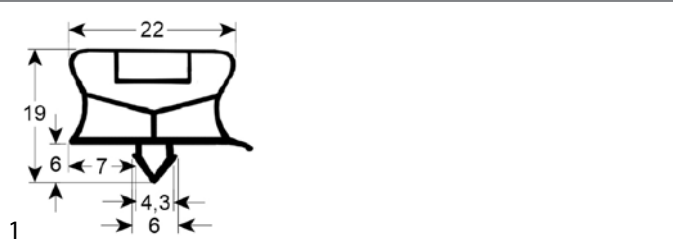


1

GEV No.	901416	Ref. No.	09100000300
description	refrigeration gasket profile 9753 W 651mm L 1651mm plug size		

profile 9794

We offer custom-made gaskets for this profile

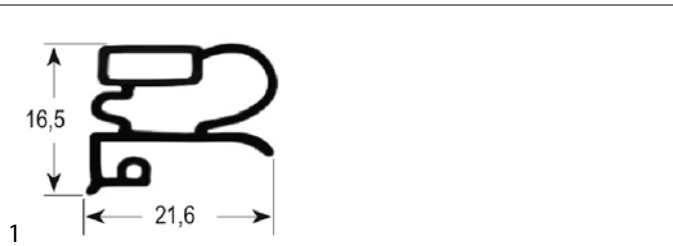


GEV No.	901517	Ref. No.	G010071000
description	refrigeration gasket profile 9794 W 633mm L 1544mm plug size		

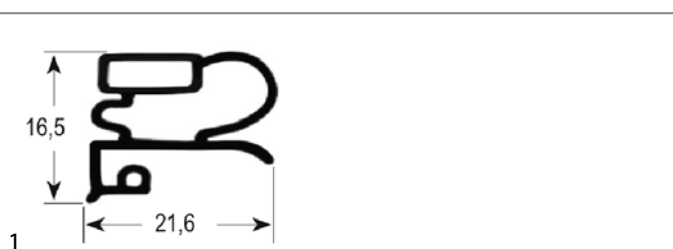
screw-in gaskets

profile 9030

We offer custom-made gaskets for this profile



GEV No.	900339	Ref. No.	0910000223
description	refrigeration gasket profile 9030 W 180mm L 420mm external size drawer for refrigerated counter refrigeration size 2/5		



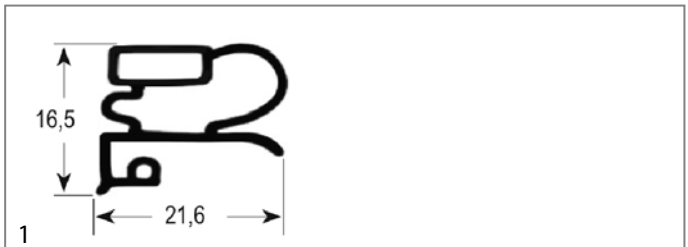
GEV No.	900338	Ref. No.	0910000225
description	refrigeration gasket profile 9030 W 195mm L 420mm external size drawer for refrigerated counter refrigeration size 1/3		



GEV No.	900337	Ref. No.	0910000221
description	refrigeration gasket profile 9030 W 300mm L 420mm external size drawer for refrigerated counter refrigeration size 1/2		



GEV No.	900002	Ref. No.	0910000002
description	refrigeration gasket profile 9030 W 310mm L 390mm external size drawer for refrigerated counter refrigeration size 1/2		



GEV No.	900331	Ref. No.	0910000045
description	refrigeration gasket profile 9030 W 420mm L 535mm external size		



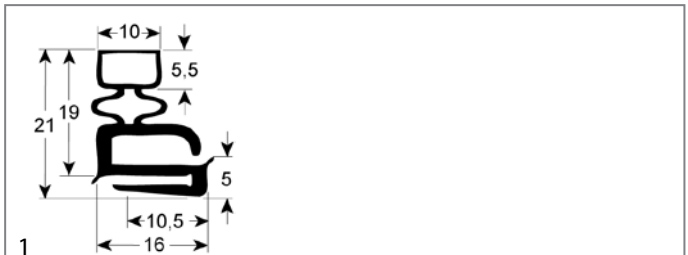
GEV No.	900336	Ref. No.	0910000220
description	refrigeration gasket profile 9030 W 420mm L 630mm external size door for refrigerated counter refrigeration size 1/1		



GEV No.	900342	Ref. No.	0910000226
description	refrigeration gasket profile 9030 W 629mm L 630mm external size door for refrigerated counter refrigeration size 2/1		

profile 9100

We offer custom-made gaskets for this profile



GEV No.	902348	Ref. No.	N/A
description	refrigeration gasket profile 9100 Wmm L 1600mm		



evaporators

for fridges

producer-specific



1

GEV No.	750123	Ref. No.	0910000124
description	evaporator L 380mm W 110mm H 150mm total length 400mm aluminium		

springs

tension springs



1

GEV No.	700523	Ref. No.	957610
description	tension spring ø 18.3mm total length 116mm wire gauge ø 1.3mm		

E

edgemount hinges	4
edgemount latches	4
electronic controllers	3
evaporators	7

F

fans	3
------	---

H

handle latches	4
----------------	---

M

microswitches	3
---------------	---

P

plug-in gaskets	5
probes	3

R

refrigeration fans	3
refrigeration gaskets	5
refrigeration motors universal	3
rocker/momentary rocker switches	3

S

screw-in gaskets	6
spring assisted hinges	4
switches and momentary switches	3