



GAS COMPONENTS



ELECTRIC COMPONENTS



WATER TECHNOLOGY



MECHANICAL COMPONENTS



TOOLS

Spare parts suitable for

AMITEK

Find the complete and up-to-date range of products in our GEV Webshop



Manufacturer catalogue

The most important spare parts and accessories arranged clearly for every manufacturer

- ✓ Complete product range and all appliance data always up to date in the GEV Webshop
- ✓ Alphabetical Index at the end of the catalogue

GEV Webshop

www.gev-online.co.uk

www.gev-online.com



- 🔍 Add to Favourites
- 🔍 Sign In with email address and usual password
- 🔍 Easy-order – place several items in your basket at the same time
- 🔍 Quick Item search – no login needed



heating elements

heating elements for fryers

GEV No.	418643	Ref. No.	R00108
description	heating element 3200W 230V heating circuits 1 L 290mm W 185mm H 165mm L1 35mm L2 255mm W1 78mm W2 29mm flange length 50mm flange width 22mm hole distance 40mm windings 3 tube ø 8.5mm connection length 35mm connection F 6.3 hole ø 4mm rectangular flange immersion heater		

thermostats

control and safety thermostats

EGO

control thermostats

55.17_series

GEV No.	375436	Ref. No.	R00041
description	thermostat t.max. 184°C temperature range 70-184°C 1-pole 1NO 16A probe ø 6mm probe L 87mm capillary pipe 490mm capillary pipe isolated 250mm gland nut shaft ø 6x4.6mm shaft L 23mm shaft position upper rotation 270°		

IMIT / TEMPOMATIC / ARTHERMO

control thermostats

GEV No.	375399	Ref. No.	R00221
description	thermostat t.max. 300°C temperature range 50-300°C 1-pole 1CO 15A probe ø 4mm probe L 97mm capillary pipe 900mm capillary pipe isolatedmm gland nut shaft ø 6x4.6mm shaft L 19mm shaft position upper rotation 270°		

TECASA

safety thermostats

GEV No.	375195	Ref. No.	R00109
description	safety thermostat switch-off temp. 240°C 1-pole 16A probe ø 4mm probe L 84mm capillary pipe 400mm capillary pipe isolated 130mm gland nut probe SS		

refrigeration thermostats

RANCO

K54 series

GEV No.	390932	Ref. No.	R00081
description	thermostat probe ø 2.5mm probe L 5mm capillary pipe 1110mm AMITEK for AK200, AK400, AK600R/RG		

switches and momentary switches

push/momentary push switches

30x22mm

GEV No.	347981	Ref. No.	R00244
description	push switch mounting measurements 30x22mm silver 2CO 250V 16A illuminated 0-1 connection male faston 6.3mm ambient temperature max. 85°C protection IP40 for model SG195, SG220, SG250, SG 275P		

microswitches

lever actuated

GEV No.	345255	Ref. No.	R00110
description	microswitch with lever 250V 16A 1CO connection male faston 6.3mm L 35mm L1 28mm ambient temperature max. 125°C mounting distance 22mm actuating force: 136g lever length 27mm		



lamps

lamp accessories

sockets



1

GEV No.	551242	Ref. No.	LA-LC-LR25 R00193
description	spiral cable socket E27 230V ø 95mm H 100mm connection cable 500mm mounting distancemm extendable PVC mounting thread M10 Qty 1 pcs black		

electronic controllers

DIXELL

refrigeration controllers

built-in version



1

GEV No.	378256	Ref. No.	AK15038-014 R00084
description	electronic controller DIXELL XR02CX-5N0C0 mounting measurements 71x29mm built-in depth 56mm 230V voltage AC NTC relay outputs 1 CO-8A(4) NTC protection IP54 defrosting function/time control -40 up to +110°C display 2½ digit		
spare parts for	378256		
	GEV No.	Ref. No.	R00213
	temperature probe NTC 10kOhm cable thermoplastic probe -40 up to +110°C cable -40 up to +110°C probe ø6x14mm cable length 3m without screw connection 2-wire		
accessories for	378256		
	GEV No.	Ref. No.	—
	temperature probe NTC 10kOhm cable PVC probe -20 up to +80°C cable -10 up to 100°C probe ø7x24.5mm cable length 1.5m without screw connection 2-wire		
	GEV No.	Ref. No.	—
	temperature probe NTC 10kOhm cable PVC probe -20 up to +80°C cable -10 up to 100°C probe ø6x25mm cable length 3m 2-wire		
	GEV No.	Ref. No.	—
	temperature probe NTC 10kOhm cable thermoplastic probe -40 up to +110°C cable -40 up to +110°C probe ø6x14mm cable length 1.5m without screw connection 2-wire		

accessories for	378256		
	GEV No.	Ref. No.	R00213
	temperature probe NTC 10kOhm cable thermoplastic probe -40 up to +110°C cable -40 up to +110°C probe ø6x14mm cable length 3m without screw connection 2-wire		
	GEV No.	Ref. No.	—
	temperature probe NTC 10kOhm cable silicone probe -40 up to +110°C cable -50 up to +180°C probe ø6x40mm cable length 3m 2-wire		
	GEV No.	Ref. No.	—
	temperature probe NTC 10kOhm cable silicone probe -40 up to +110°C cable -50 up to +180°C probe ø6x40mm cable length 1.5m without screw connection 2-wire		

1			
GEV No.	378273	Ref. No.	R00085
description	electronic controller DIXELL XR06CX-5N0C1 mounting measurements 71x29mm 230V voltage AC NTC -40 up to +110°C display 2½ digit DEF Relay 8A fan relay 8A compressor relay 20A		

probes

universal probes

temperature probes



1

GEV No.	379161	Ref. No.	R00213
description	temperature probe NTC 10kOhm cable thermoplastic probe -40 up to +110°C cable -40 up to +110°C probe ø6x14mm cable length 3m without screw connection 2-wire		

electronics

PCBs



1

GEV No.	403656	Ref. No.	R00889
description	PCB CT5 L 105mm W 105mm with switch		



1

GEV No.	360664	Ref. No.	R00303
description	PCB for planetary mixer AP7 L 90mm W 90mm		



1

GEV No.	403708	Ref. No.	R00737 SG250P-275P-300RP
description	PCB L 68mm W 30mm for switch		

fans

axial fans

import



1

GEV No.	601604 ¹	Ref. No.	S900.33
description	axial fan L 119mm W 119mm H 38mm 230VAC 50/60Hz 17/15W bearing slide bearing manuf. no. AA1282HS-AT connection cable 300mm fan wheel ø 110mm temp.-resist. 70°C input current 0.1A airflow 130m ³ /h 2600rpm		

¹with slide bearings

cross flow fans

TRIAL



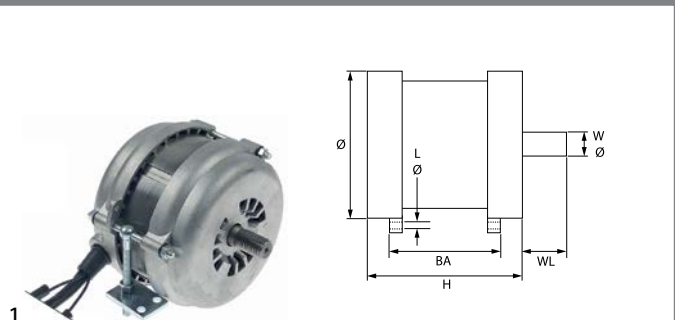
1

GEV No.	601824	Ref. No.	R00134
description	cross flow fan TAS18B-002 roller ø 60mm roller length 180mm laminated core thickness 13mm motor position left 220V/50HzW universal bearing silicone connection male faston 6.3mm -10 up to +60°C 220V 50Hz		

motors

motors

for slicers



1

GEV No.	501543	Ref. No.	R00979
description	motor 230V 50Hz 1380rpm shaft ø 15mm shaft length 28mm ø 128mm H 95mm capacitor 8µF		

equipment-specific units

for vegetable slicers

cutting discs

blades smooth

cutting discs



1

GEV No.	697389	Ref. No.	E1
description	slicing disk type E1 ø 206mm seat ø 19mm slicing thickness 1mm plastic		

for griddles

griddles



1

GEV No.	692556	Ref. No.	R00499
description	griddle L 590mm W 405mm H 60mm smooth FT2L		

for dishwashers

door mechanics

hinges



1

GEV No.	503171	Ref. No.	R00098
description	hinge mounting pos. bottom left/right		



1

GEV No.	701385	Ref. No.	R00356
description	bracket L 63mm W 30mm H 100mm mounting pos. upper left		



1

GEV No.	701384	Ref. No.	R00383
description	door hinge L 54mm W 62mm H 65mm mounting pos. bottom right		



1

GEV No.	701383	Ref. No.	R00384
description	door hinge L 54mm W 74mm H 48mm mounting pos. upper right Qty 1 pcs		



1

GEV No.	692493	Ref. No.	R00100
description	hinge L 103mm W 160mm H 10mm mounting pos. lower bolt 10mm bolt ø 7mm with bolt		



1

GEV No.	692492	Ref. No.	R00099
description	hinge L 85mm W 45mm mounting pos. left/right lower Qty 1 pcs		

knobs

producer-specific knobs

AMITEK



1

GEV No.	112745	Ref. No.	061061
description	knob switch 4-position t.max. 300°C ø 80mm shaft ø 6x4.6mm shaft flat upper black		



1

GEV No.	112708	Ref. No.	R00233
description	knob thermostat t.max. 300°C 50-300°C ø 69mm shaft ø 6x4.6mm shaft flat upper black		

hinges

door bearing



1

GEV No.	692491	Ref. No.	R00096
description	bolt L 21mm mounting pos. lower thread M5 ø 7mm complete for door hinge Qty 1 pcs		

equipment feet and end caps

equipment feet

with fixing plate




1

GEV No.	701322	Ref. No.	R00382
description	equipment foot tube ø 64mm plate size 85x85mm hole distance 56x56 up to 65x65mm H 145-165mm SS size 2 1/2" Qty 1 pcs		




screw-in feet



1

GEV No.	701323	Ref. No.	R00080
description	equipment foot thread M8 thread L 21mm ø 29mm H 14mm L 35mm		



1

GEV No.	701324	Ref. No.	R00135
description	equipment foot thread M8 thread L 22mm ø 35mm H 29mm Qty 1 pcs L 41mm		

shelves and shelf rails

grates

universal


without upstand



1


GEV No.	970839	Ref. No.	400860000
description	grate W 650mm D 530mm GN 2/1 plastic-coated steel crossing wires 2 white AMITEK		

with upstand




1

GEV No.	970836	Ref. No.	400740000
description	grate W 335mm D 530mm plastic-coated steel wire gauge frame 9.5mm lengthwise wires gauge 4mm crossing wires 2 white AMITEK		




1

GEV No.	970841	Ref. No.	400780000
description	grate W 410mm D 630mm plastic-coated steel crossing wires 2 white AMITEK		



1


GEV No.	970837	Ref. No.	400850000
description	grate W 415mm D 510mm plastic-coated steel wire gauge frame 8mm lengthwise wires gauge 4mm crossing wires 2 white AMITEK		



1

GEV No.	970838	Ref. No.	400730000
description	grate W 530mm D 650mm GN 2/1 plastic-coated steel crossing wires 2 white AMITEK		

producer-specific



1

GEV No.	970840	Ref. No.	400770000
description	grate W 530mm D 550mm plastic-coated steel wire gauge frame 8mm lengthwise wires gauge 4mm crossing wires 2 white AMITEK		

shelf rails and supports

producer-specific



1

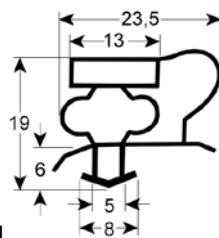
GEV No.	701321	Ref. No.	400840000
description	pair of setting bar L-shape L 655mm W 22mm H 28mm mounting pos. left/right		

gaskets

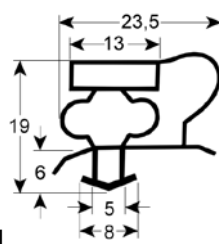
refrigeration gaskets

plug-in gaskets

profile 9165

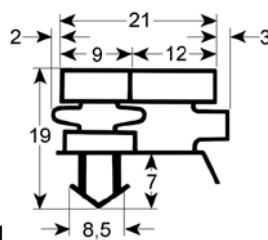


GEV No.	901823	Ref. No.	R00060
description	refrigeration gasket profile 9165 W 635mm L 1450mm plug size AK400		

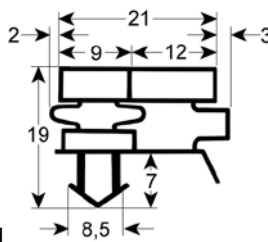


GEV No.	901746	Ref. No.	R00059
description	refrigeration gasket profile 9165 W 690mm L 1490mm plug size		

profile 9148



GEV No.	901743	Ref. No.	R00111
description	refrigeration gasket profile 9148 W 545mm L 650mm plug size		



GEV No.	901744	Ref. No.	R00112
description	refrigeration gasket profile 9148 W 550mm L 1650mm plug size		

GEV No.	701386	Ref. No.	400830000
description	pair of setting bar U-shape L 545mm W 20mm mounting pos. left/right hook width 9.7mm inner height 12mm		

GEV No.	701320	Ref. No.	400920000
description	pair of setting bar U-shape L 550mm W 20mm H 13mm mounting pos. left/right		

GEV No.	701319	Ref. No.	400800000
description	pair of setting bar U-shape L 560mm W 20mm H 18mm mounting pos. left/right		

GEV No.	701387	Ref. No.	400790000
description	pair of setting bar U-shape L 645mm W 20mm H 16mm mounting pos. left/right		



GEV No.	901745	Ref. No.	R00113
description	refrigeration gasket profile 9148 W 730mm L 1655mm plug size		

profile 9150

GEV No.	901742	Ref. No.	R00057
description	refrigeration gasket profile 9150 W 390mm L 595mm plug size		

GEV No.	901493	Ref. No.	R00056
description	refrigeration gasket profile 9150 W 396mm L 494mm plug size		

GEV No.	901653	Ref. No.	R00058
description	refrigeration gasket profile 9150 W 460mm L 595mm plug size		

profile 9157

GEV No.	901822	Ref. No.	R00153
description	refrigeration gasket profile 9157 W 395mm L 225mm plug size AK901		

transmission technology and ball bearings

ball bearings

deep-groove ball bearings 2RS

GEV No.	523522	Ref. No.	R00407
description	deep-groove ball bearing type 6004-2RS shaft ø 20mm ED ø 42mm W 12mm with sealing discs deep-groove ball bearing DIN 625-1		

drive belts

poly-v belts

GEV No.	697613	Ref. No.	R00279
description	poly-v belt grooves 8 W 16mm L 295mm profile TB2		

measuring equipment

thermometers

built-in thermometers

external power supply

GEV No.	378328 ¹	Ref. No.	R00150
description	thermometer mounting measurements 58x25.5mm front measurements 64x31mm 230V voltage AC -50 up to +110°C probe ø6x15mm cable length 2000mm		

¹incl. 1x NTC probe

A

axial fans 5

C

control thermostats 3, 3

cross flow fans 5

E

electronic controllers 4

F

fans 5

G

grates 7

H

heating elements 3

heating elements for fryers 3

L

lamp accessories 4

lamps 4

M

measuring equipment 9

microswitches 3

motors 5

P

plug-in gaskets 8

probes 4

push/momentary push switches 3

R

refrigeration gaskets 8

refrigeration thermostats 3

S

shelves and shelf rails 7

switches and momentary switches 3

T

temperature probes 4

thermostats 3

U

universal probes 4