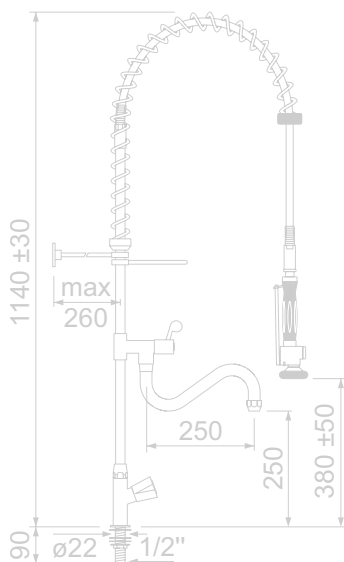




Pre-rinse units and water taps



PREMIUM ⊕

2016 EDITION

Pre-rinse units

PREMIUM ⊕

Long-lasting quality
after tough use

Strong performing
kitchen unit



You will find further models as well as details of prices, availability and spare parts in our Webshop
www.gev-online.co.uk
www.gev-online.com

Stainless steel strip wound hose for bend protection on both sides



KTW approved

Best quality strip wound hose for pre-rinse units on the market!



with pressed interior hose



Stainless steel spring

Best quality in this price category

Through strict quality management and continuous product improvement our products are particularly user-friendly and dependable:

- Each component used is of high quality material
- Components are assembled in-house and subject to our strict quality controls
- We back our quality with a 12 month warranty (except for any wear and tear parts)

Spray gun



Wall holder EXTRA LONG!

adjustable from 50mm to 250mm

Spray valve holder

adjustable in height



Spring holder

adjustable in height

Riser pipe

permanently sealed by double o-ring gasket



T-part with integrated valve fitting

spout watertight due to double o-ring-gasket

without water tap

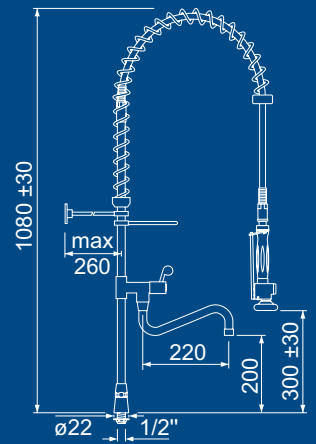
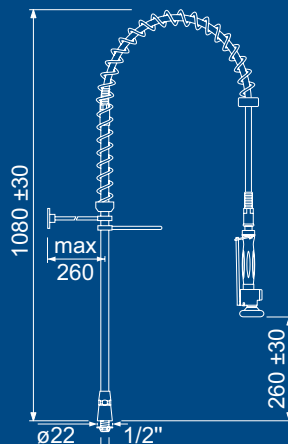
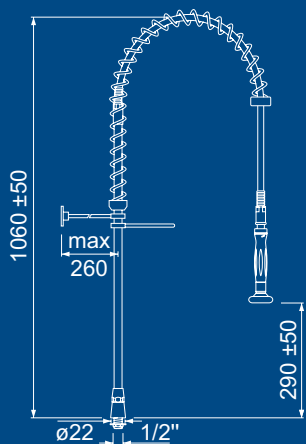


part no. 547728
without shut-off

part no. 547324
with shut-off

part no. 547325
with shut-off and swivel spout

flow rate spray gun 16l/min. at 3 bar



with pillar tap

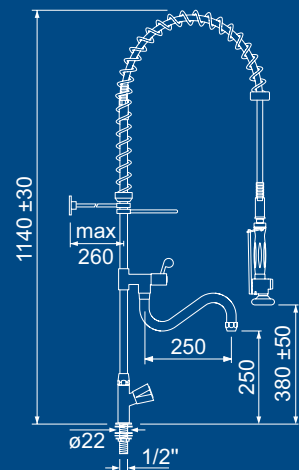
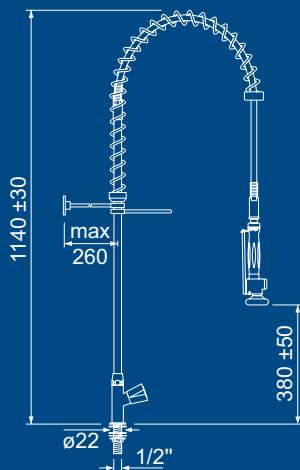


part no.	upper part 3/4"
591022	tap head
591053	ceramic head



part no.	upper part 3/4"
591014	tap head
591054	ceramic head

flow rate spray gun 16l/min. at 3 bar
 flow rate swivel spout 40l/min. at 3 bar



with monobloc tap

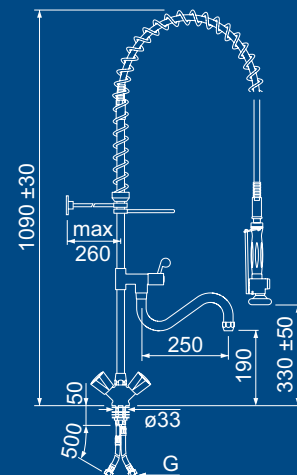
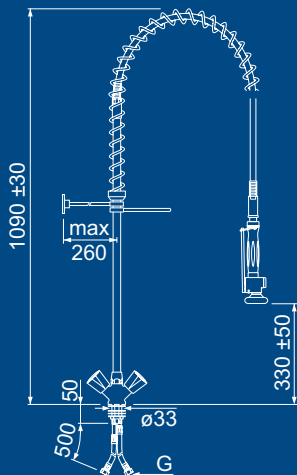


part no.	upper part 3/4"	G
591016	tap head	3/8"
591057	ceramic head	3/8"
591033	tap head	1/2"
591059	ceramic head	1/2"



part no.	upper part 3/4"	G
591001	tap head	3/8"
591058	ceramic head	3/8"
591034	tap head	1/2"
591060	ceramic head	1/2"

flow rate spray gun 16l/min. at 3 bar
 flow rate swivel spout 44l/min. at 3 bar



with bridge mixer tap

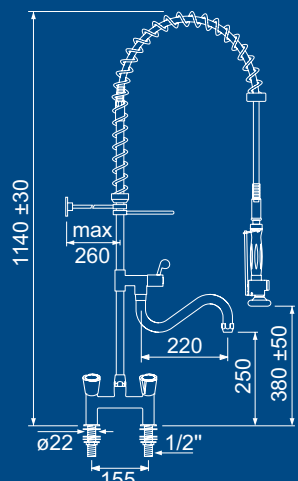
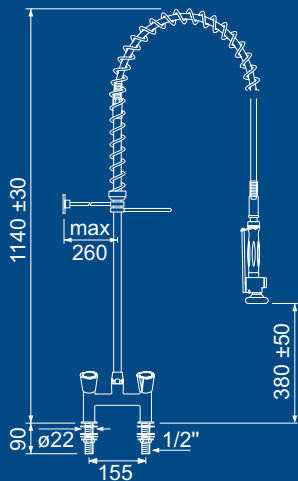


part no.	upper part 3/4"
591015	tap head
591065	ceramic head



part no.	upper part 3/4"
591000	tap head
591067	ceramic head

flow rate spray gun 16l/min. at 3 bar
 flow rate swivel spout 44l/min. at 3 bar



with bridge mixer tap



part no.	upper part 3/4"
591035	tap head
591069	ceramic head

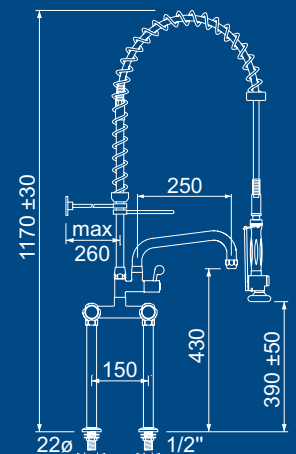
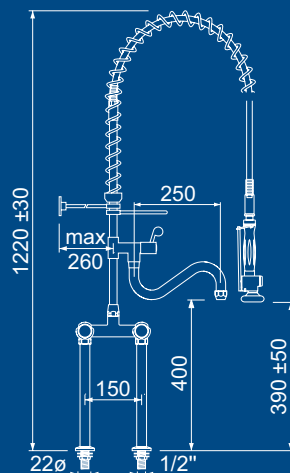
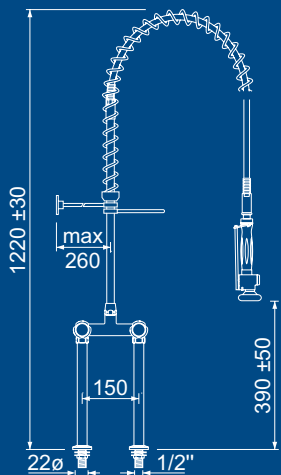


part no.	upper part 3/4"
591036	tap head
591071	ceramic head



part no.	upper part 3/4"
591037	tap head
591073	ceramic head

flow rate spray gun 16l/min. at 3 bar
 flow rate swivel spout 44l/min. at 3 bar



wall-mounted with bridge mixer tap

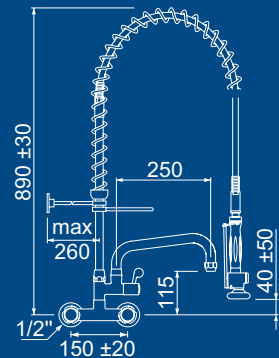
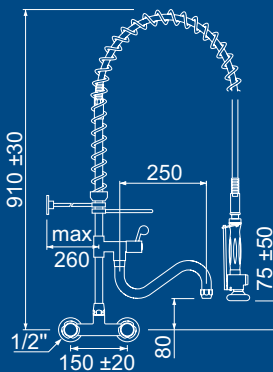
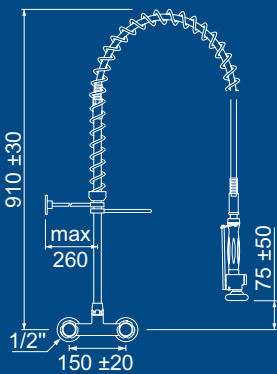


part no.	upper part 3/4"
591018	tap head
591075	ceramic head

part no.	upper part 3/4"
591003	tap head
591077	ceramic head

part no.	upper part 3/4"
591038	tap head
591079	ceramic head

flow rate spray gun 16l/min. at 3 bar
 Durchflussmeng swivel spout 44l/min. at 3 bar



with pillar tap

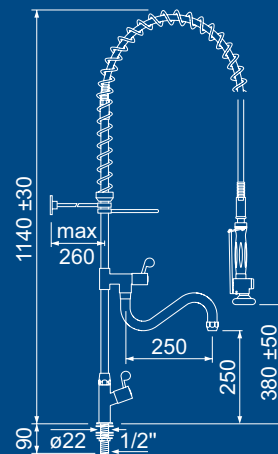
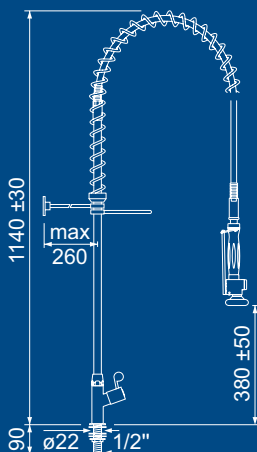


part no. upper part 3/4"
591055 ceramic head



part no. upper part 3/4"
591056 ceramic head

flow rate spray gun 16l/min. at 3 bar
flow rate swivel spout 40l/min. at 3 bar



with monobloc tap

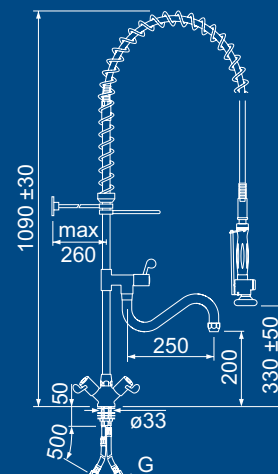
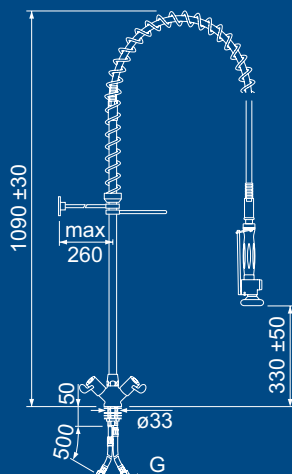


part no.	upper part 3/4"	G
591061	ceramic head	3/8"
591063	ceramic head	1/2"



part no.	upper part 3/4"	G
591062	ceramic head	3/8"
591064	ceramic head	1/2"

flow rate spray gun 16l/min. at 3 bar
 flow rate swivel spout 44l/min. at 3 bar



with bridge mixer tap

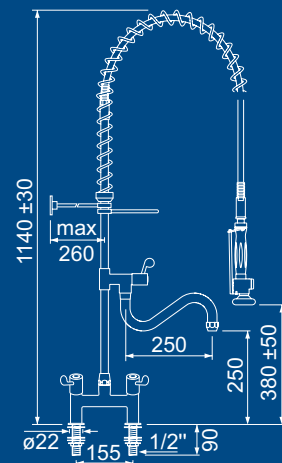
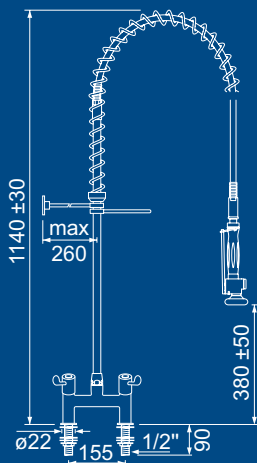


part no. upper part 3/4"
591066 ceramic head



part no. upper part 3/4"
591068 ceramic head

flow rate spray gun 16l/min. at 3 bar
 flow rate swivel spout 44l/min. at 3 bar





part no. upper part 3/4"
591070 ceramic head

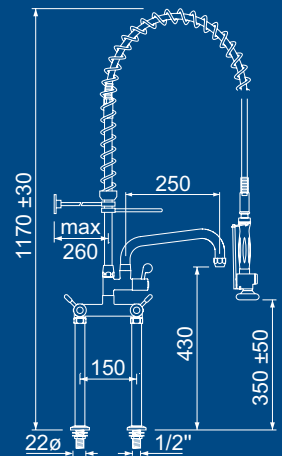
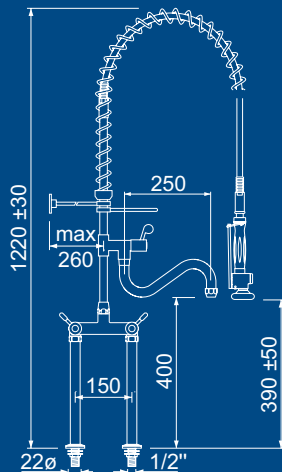
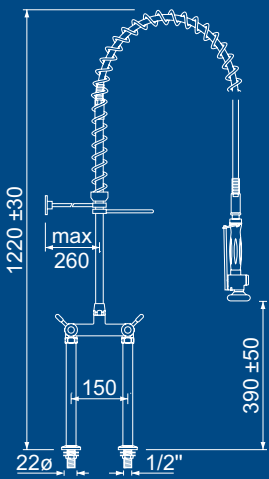


part no. upper part 3/4"
591072 ceramic head



part no. upper part 3/4"
591074 ceramic head

flow rate spray gun 16l/min. at 3 bar
flow rate swivel spout 44l/min. at 3 bar



wall-mounted with bridge mixer tap



part no. upper part 3/4"
591076 ceramic head

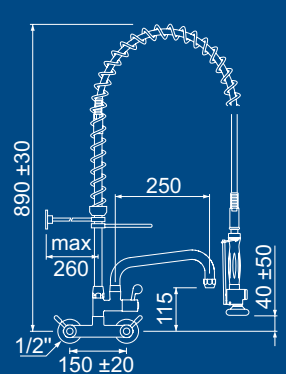
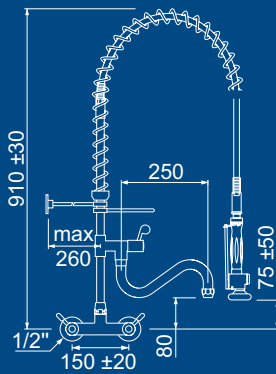
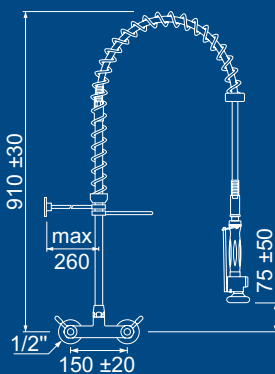


part no. upper part 3/4"
591078 ceramic head



part no. upper part 3/4"
591080 ceramic head

flow rate spray gun 16l/min. at 3 bar
 flow rate swivel spout 44l/min. at 3 bar



two-part unit



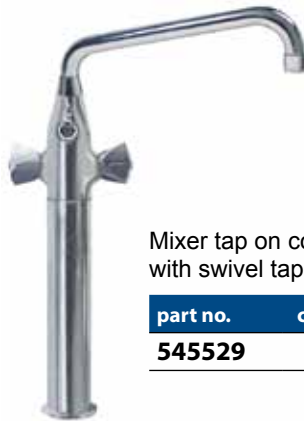
- extendable hose with no spring
- light and easy to use

part no.	connection
549290	1/2"

with shut-off

part no.	connection
547324	1/2"

flow rate spray gun 16l/min. at 3 bar
flow rate swivel spout 33l/min. at 3 bar



Mixer tap on column
with swivel tap

part no.	connection
545529	1/2"

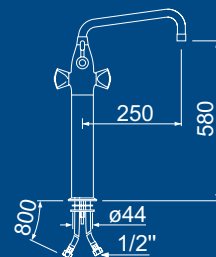
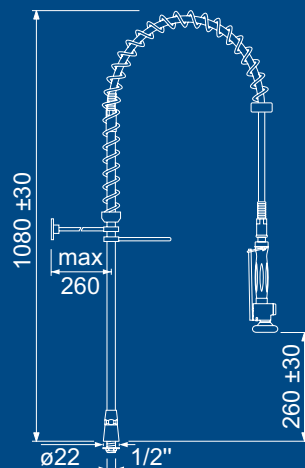
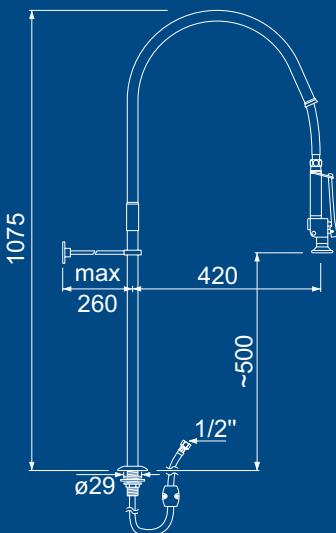
Pre-rinse units
complete



part no.
545526



part no.
545502



with single lever monobloc tap



cartridge
ø 40mm

cartridge
ø 40mm

cartridge
ø 47mm

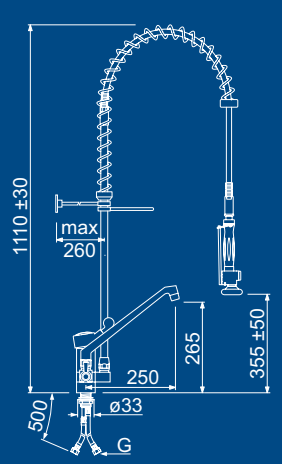
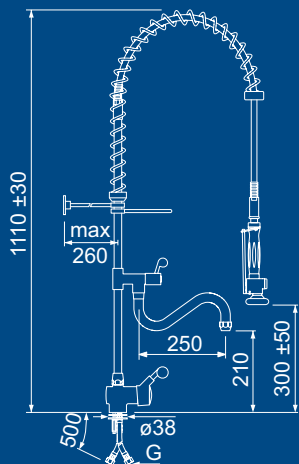
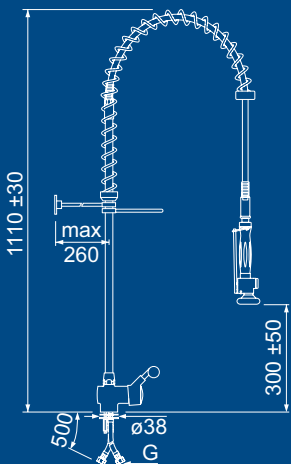
part no.	G
591017	3/8"
591039	1/2"

part no.	G
591002	3/8"
591040	1/2"

part no.	G
547341	3/8"
547342	1/2"

flow rate spray gun 16l/min. at 3 bar
flow rate swivel spout 33l/min. at 3 bar

flow rate spray gun 16l/min. at 3 bar
flow rate swivel spout 40l/min. at 3 bar

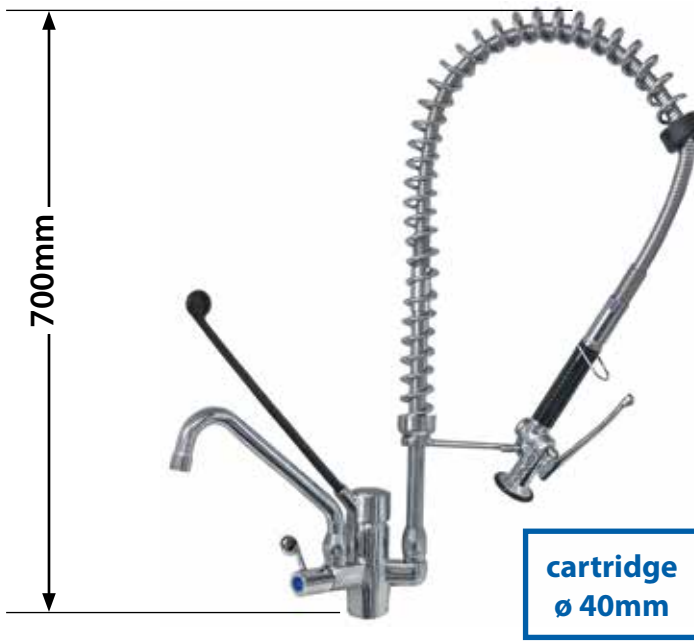




part no.	A (mm)	B (mm)
591027	250	190
591028	300	200

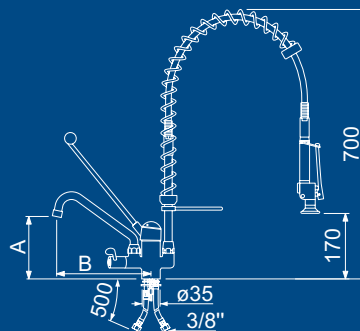
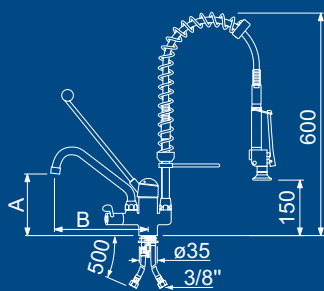
cartridge
ø 40mm

flow rate spray gun 16l/min. at 3 bar
flow rate swivel spout 33l/min. at 3 bar



part no.	A (mm)	B (mm)
591029	250	190
591030	300	200

cartridge
ø 40mm



with single lever bridge mixer tap



cartridge
ø 47mm

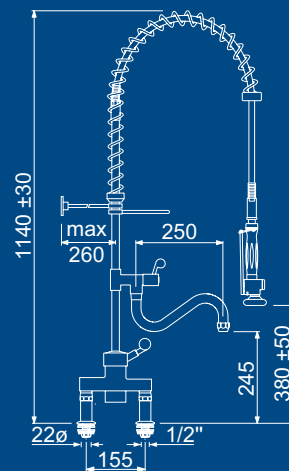
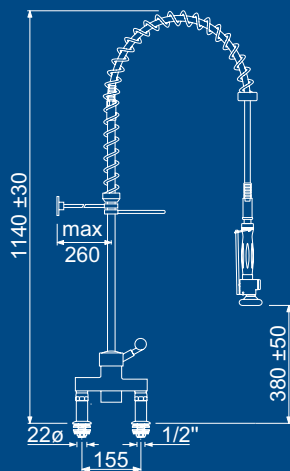
part no.	connection
591024	1/2"



cartridge
ø 47mm

part no.	connection
591023	1/2"

flow rate spray gun 16l/min. at 3 bar
flow rate swivel spout 40l/min. at 3 bar





cartridge
ø 47mm

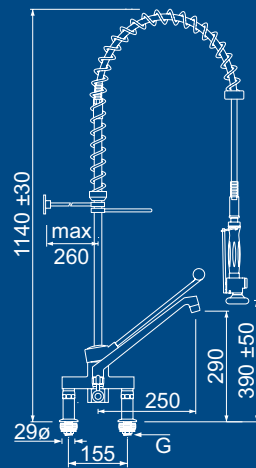
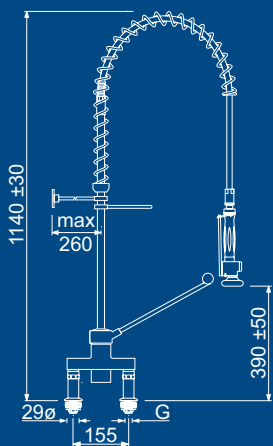
part no.	G
547345	1/2"
547346	3/4"



cartridge
ø 47mm

part no.	G
547349	1/2"
547354	3/4"

flow rate spray gun 16l/min. at 3 bar
flow rate swivel spout 40l/min. at 3 bar



with single lever bridge mixer tap

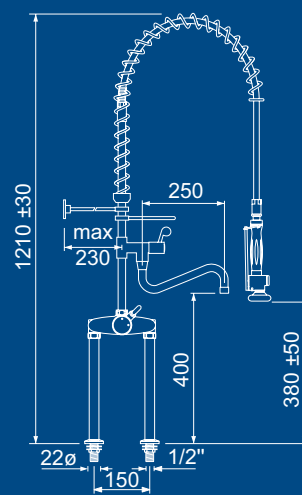
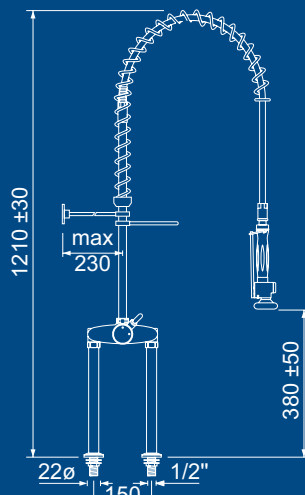


part no.	connection
547213	1/2"



part no.	connection
547214	1/2"

flow rate spray gun 16l/min. at 3 bar
 flow rate swivel spout 33l/min. at 3 bar



wall-mounted with single lever bridge mixer tap



cartridge
ø 40mm

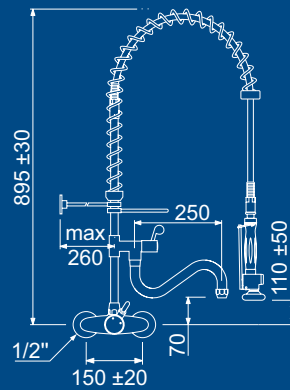
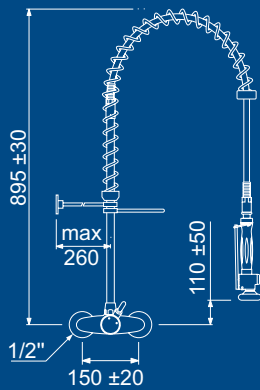
part no.	connection
591026	1/2"



cartridge
ø 40mm

part no.	connection
591025	1/2"

flow rate spray gun 16l/min. at 3 bar
flow rate swivel spout 33l/min. at 3 bar



wall-mounted with single lever bridge mixer tap



cartridge
ø 47mm

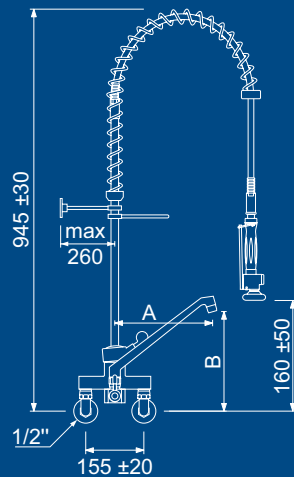
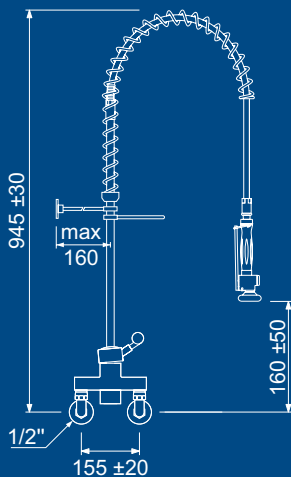
part no.	connection
547355	1/2"



cartridge
ø 47mm

part no.	connection	A(mm)	B(mm)
547357	1/2"	200	210
547358	1/2"	250	260

flow rate spray gun 16l/min. at 3 bar
flow rate swivel spout 40l/min. at 3 bar





cartridge
ø 47mm

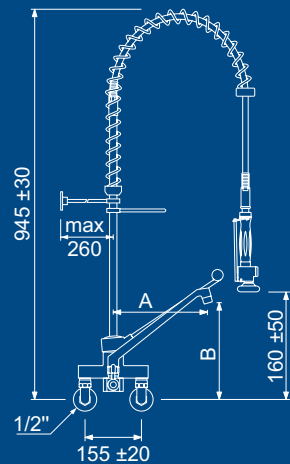
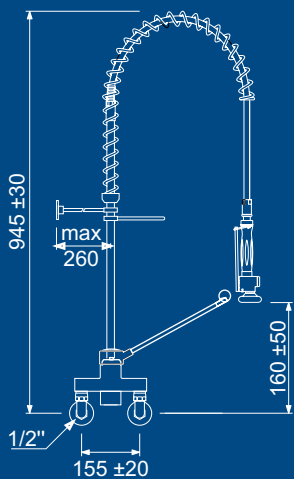
part no.	connection
547356	1/2"



cartridge
ø 47mm

part no.	connection	A(mm)	B(mm)
547359	1/2"	200	210
547360	1/2"	250	260

flow rate spray gun 16l/min. at 3 bar
flow rate swivel spout 40l/min. at 3 bar



PREMIUM ⊕ THERMOSTATIC

with monobloc tap

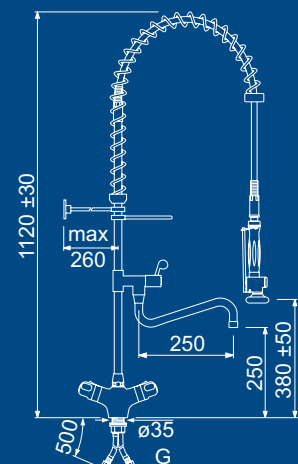
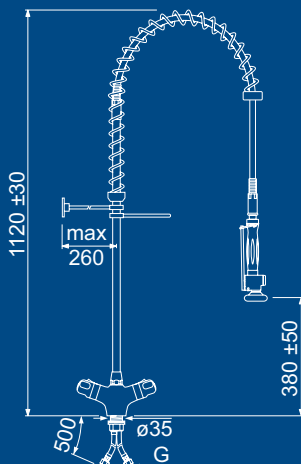


part no.	G
547327	3/8"
547328	1/2"



part no.	G
547329	3/8"
547337	1/2"

flow rate spray gun 16l/min. at 3 bar
flow rate swivel spout 25l/min. at 3 bar



with bridge mixer tap

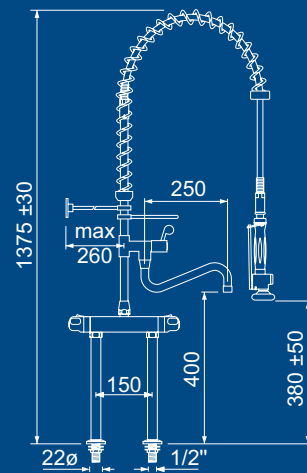
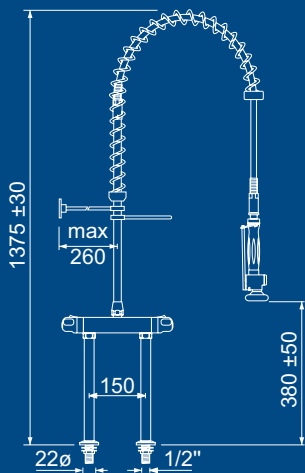


part no.	connection
547339	1/2"



part no.	connection
547340	1/2"

flow rate spray gun 16l/min. at 3 bar
 flow rate swivel spout 25l/min. at 3 bar



wall-mounted with bridge mixer tap

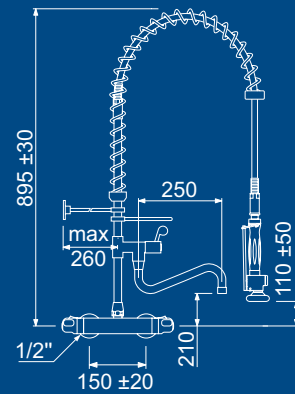
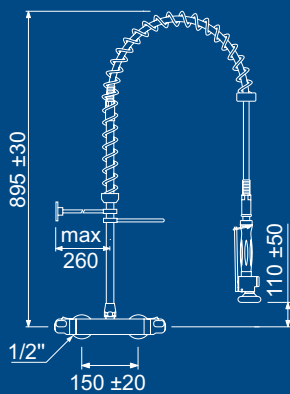


part no.	connection
547326	1/2"



part no.	connection
547338	1/2"

flow rate spray gun 16l/min. at 3 bar
flow rate swivel spout 25l/min. at 3 bar



automatic upper part

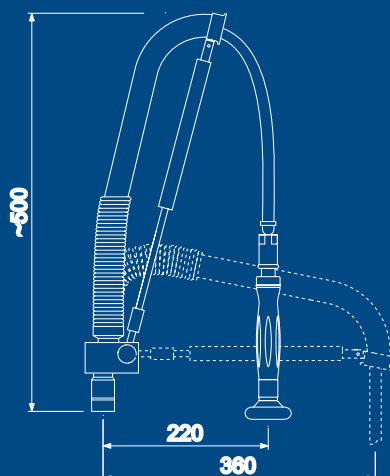


part no.

545608

**PREMIUM PLUS
AUTOMATIC**

- waterflow activated by pulling down the spray head
- built-in pressure spring prevents the spray head from springing back quickly



with pillar tap

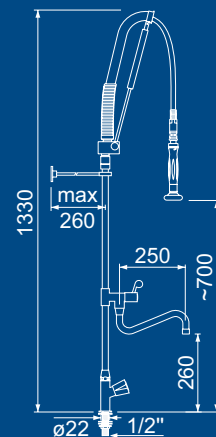
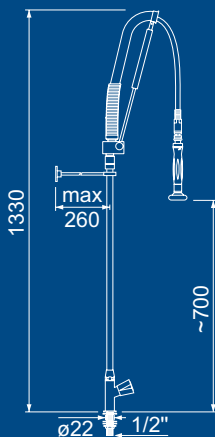


part no.	connection
591041	1/2"



part no.	connection
591042	1/2"

flow rate spray gun 16l/min. at 3 bar
 flow rate swivel spout 40l/min. at 3 bar



with monobloc tap

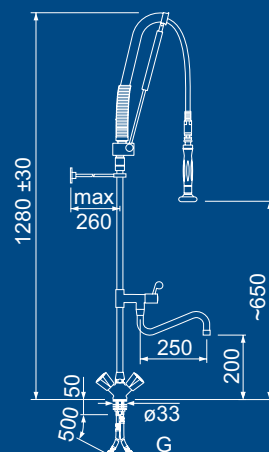
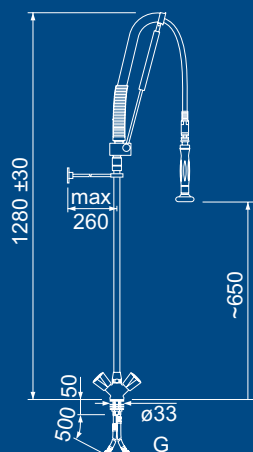


part no.	G
591019	3/8"
591043	1/2"



part no.	G
591011	3/8"
591044	1/2"

flow rate spray gun 16l/min. at 3 bar
 flow rate swivel spout 44l/min. at 3 bar



with bridge mixer tap

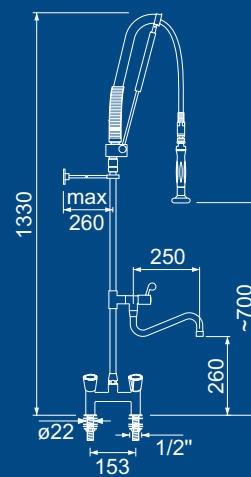
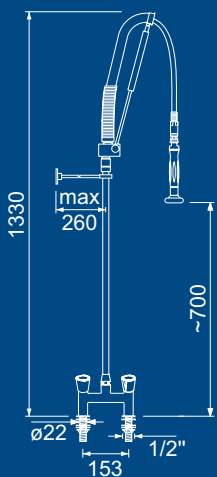


part no.	connection
591020	1/2"



part no.	connection
591012	1/2"

flow rate spray gun 16l/min. at 3 bar
 flow rate swivel spout 44l/min. at 3 bar





part no.	connection
591050	1/2"

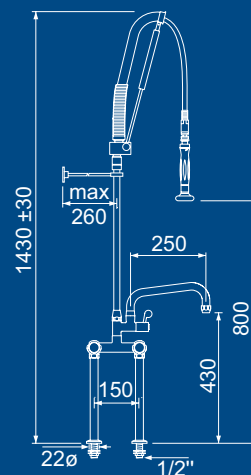
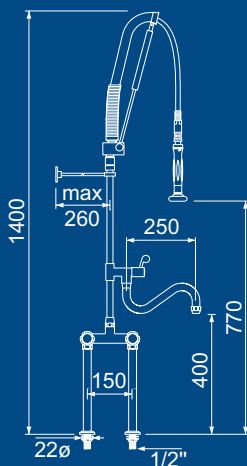
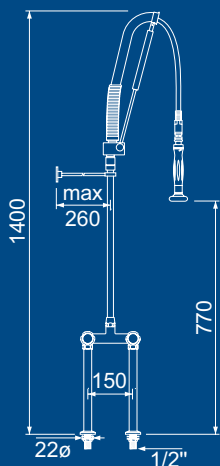


part no.	connection
591048	1/2"



part no.	connection
591049	1/2"

flow rate spray gun 16l/min. at 3 bar
 flow rate swivel spout 44l/min. at 3 bar



wall-mounted with bridge mixer tap

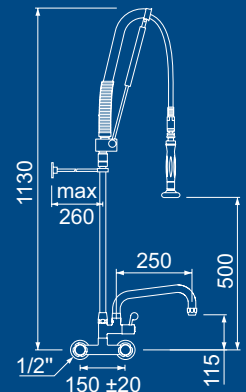
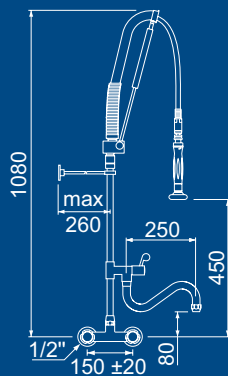
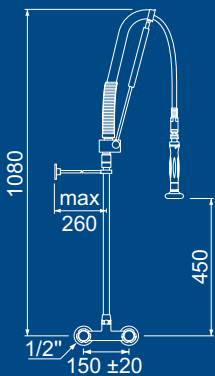


part no.	connection
591045	1/2"

part no.	connection
591046	1/2"

part no.	connection
591047	1/2"

flow rate spray gun 16l/min. at 3 bar
 flow rate swivel spout 44l/min. at 3 bar



with single lever monobloc tap



cartridge
ø 40mm

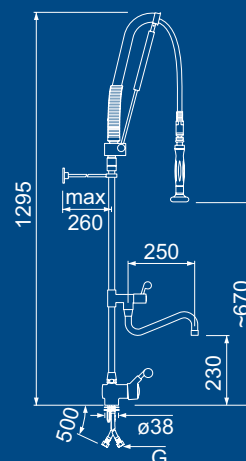
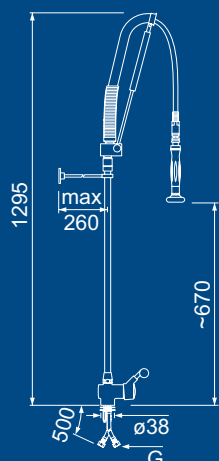
part no.	G
591021	3/8"
591051	1/2"



cartridge
ø 40mm

part no.	G
591013	3/8"
591052	1/2"

flow rate spray gun 16l/min. at 3 bar
flow rate swivel spout 33l/min. at 3 bar



with single lever bridge mixer tap



cartridge
ø 40mm

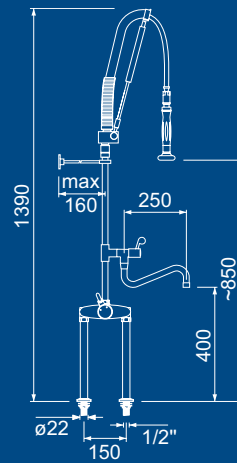
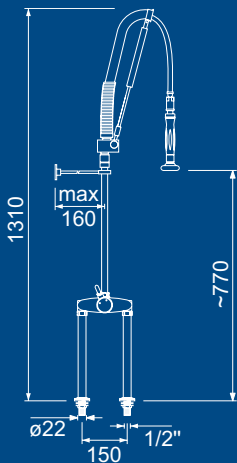
part no.	connection
545684	1/2"



cartridge
ø 40mm

part no.	connection
545685	1/2"

flow rate spray gun 16l/min. at 3 bar
flow rate swivel spout 33l/min. at 3 bar



wall-mounted with single lever water tap



cartridge
ø 40mm

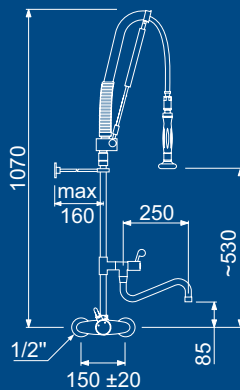
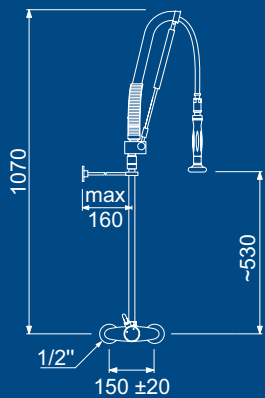
part no.	connection
545686	1/2"



cartridge
ø 40mm

part no.	connection
545687	1/2"

flow rate spray gun 16l/min. at 3 bar
flow rate swivel spout 33l/min. at 3 bar



with monobloc tap

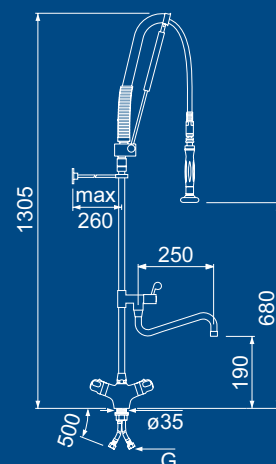
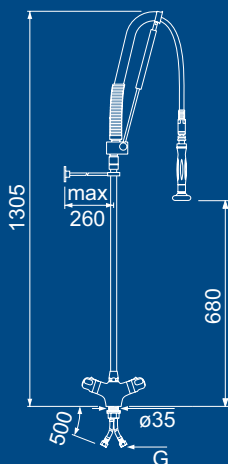


part no.	G
545692	3/8"
545609	1/2"



part no.	G
545693	3/8"
545610	1/2"

flow rate spray gun 16l/min. at 3 bar
 flow rate swivel spout 25l/min. at 3 bar



with bridge mixer tap

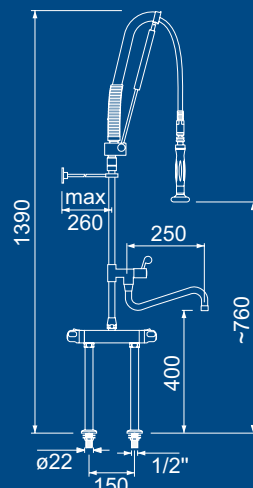
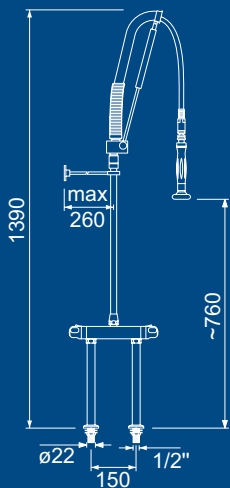


part no.	connection
545688	1/2"



part no.	connection
545689	1/2"

flow rate spray gun 16l/min. at 3 bar
 flow rate swivel spout 25l/min. at 3 bar



wall-mounted with bridge mixer tap

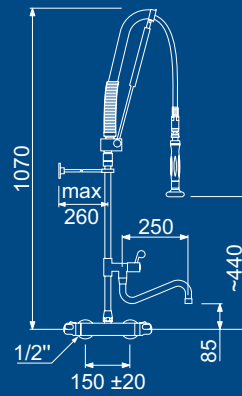
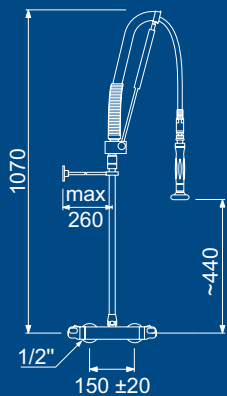


part no.	connection
545690	1/2"



part no.	connection
545691	1/2"

flow rate spray gun 16l/min. at 3 bar
 flow rate swivel spout 25l/min. at 3 bar



Water taps

PREMIUM ⊕

High level specification for demanding conditions

Outstanding design



wall-mounted monobloc tap



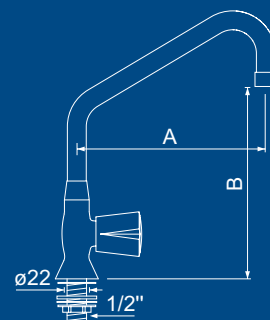
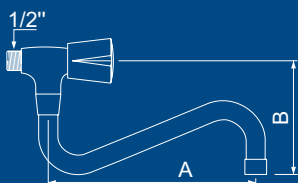
part no.	upper part 1/2"	A (mm)	B (mm)
591465	tap head	170	140
591466	tap head	220	140
591467	tap head	300	140
591468	ceramic head	170	140
591469	ceramic head	220	140
591470	ceramic head	300	140

monobloc tap



part no.	upper part 1/2"	A (mm)	B (mm)
591455	tap head	150	225
591456	tap head	200	225
591457	tap head	250	225
591458	tap head	250	325
591459	tap head	300	225
591460	ceramic head	150	225
591461	ceramic head	200	225
591462	ceramic head	250	225
591463	ceramic head	250	325
591464	ceramic head	300	225

flow rate 26l/min. at 3 bar



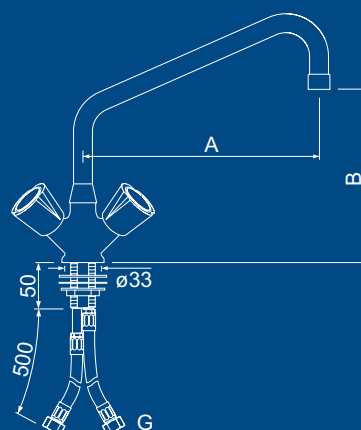
monobloc tap

part no.	upper part 1/2"	G	A (mm)	B (mm)
591471	tap head	3/8"	150	100
591472	tap head	3/8"	200	100
591473	tap head	3/8"	250	100
591474	ceramic head	3/8"	150	100
591476	ceramic head	3/8"	200	100
591478	ceramic head	3/8"	250	100
591482	tap head	1/2"	150	100
591484	tap head	1/2"	200	100
591486	tap head	1/2"	250	100
591490	ceramic head	1/2"	150	100
591492	ceramic head	1/2"	200	100
591494	ceramic head	1/2"	250	100

part no.	upper part 1/2"	G	A (mm)	B (mm)
591430	tap head	3/8"	150	210
591431	tap head	3/8"	200	210
591432	tap head	3/8"	250	210
591433	tap head	3/8"	250	310
591434	tap head	3/8"	300	210
591475	ceramic head	3/8"	150	210
591477	ceramic head	3/8"	200	210
591479	ceramic head	3/8"	250	210
591480	ceramic head	3/8"	250	310
591481	ceramic head	3/8"	300	210
591483	tap head	1/2"	150	210
591485	tap head	1/2"	200	210
591487	tap head	1/2"	250	210
591488	tap head	1/2"	250	310
591489	tap head	1/2"	300	210
591491	ceramic head	1/2"	150	210
591493	ceramic head	1/2"	200	210
591495	ceramic head	1/2"	250	210
591496	ceramic head	1/2"	250	310
591497	ceramic head	1/2"	300	210



flow rate 33l/min. at 3 bar



monobloc tap

column 400mm

part no.	upper part 1/2"	A (mm)	B (mm)
591439	tap head	250	610
591440	tap head	300	610
591502	ceramic head	250	610
591503	ceramic head	300	610

column 300mm

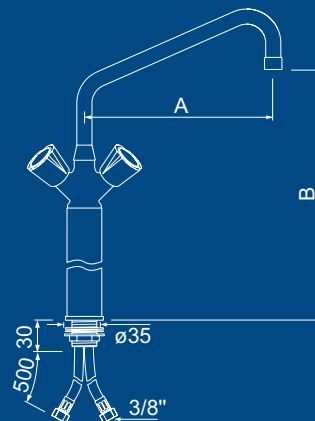
part no.	upper part 1/2"	A (mm)	B (mm)
591437	tap head	250	510
591438	tap head	300	510
591500	ceramic head	250	510
591501	ceramic head	300	510

column 200mm

part no.	upper part 1/2"	A (mm)	B (mm)
591435	tap head	250	410
549436	tap head	300	410
591498	ceramic head	250	410
591499	ceramic head	300	410



flow rate 33l/min. at 3 bar

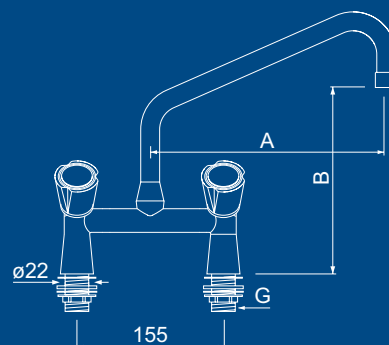


bridge mixer taps

part no.	upper part 1/2"	G	A (mm)	B (mm)
591509	tap head	3/4"	150	255
591510	tap head	3/4"	200	255
591511	tap head	3/4"	250	255
591512	tap head	3/4"	250	355
591513	tap head	3/4"	300	255
591514	ceramic head	3/4"	150	255
591515	ceramic head	3/4"	200	255
591516	ceramic head	3/4"	250	255
591517	ceramic head	3/4"	250	355
591518	ceramic head	3/4"	300	255
591441	tap head	1/2"	150	255
591442	tap head	1/2"	200	255
591443	tap head	1/2"	250	255
591444	tap head	1/2"	250	355
591445	tap head	1/2"	300	255
591504	ceramic head	1/2"	150	255
591505	ceramic head	1/2"	200	255
591506	ceramic head	1/2"	250	255
591507	ceramic head	1/2"	250	355
591508	ceramic head	1/2"	300	255



flow rate 55l/min. at 3 bar



wall-mounted with bridge mixer taps



part no.	upper part 1/2"	A (mm)	B (mm)
591446	tap head	170	140
591447	tap head	220	140
591448	tap head	300	140
591519	ceramic head	170	140
591520	ceramic head	220	140
591521	ceramic head	300	140

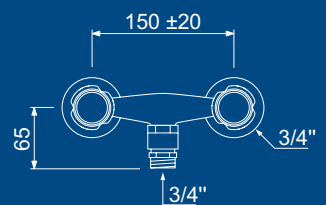
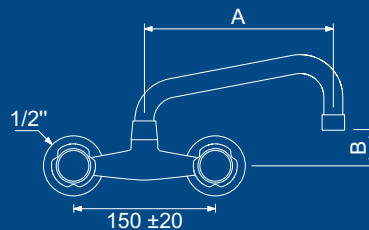
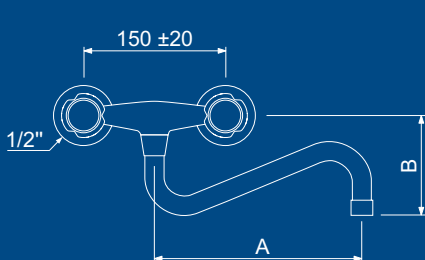
part no.	upper part 1/2"	A (mm)	B (mm)
591522	tap head	150	70
591523	tap head	200	70
591524	tap head	250	70
591525	ceramic head	150	70
591526	ceramic head	200	70
591527	ceramic head	250	70

flow rate 42l/min. at 3 bar



with pipe aerator

part no.	upper part 1/2"	connection
591362	tap head	1/2"
591598	ceramic head	1/2"



wall-mounted monobloc tap

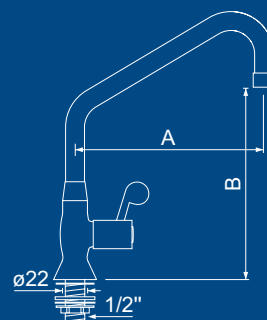
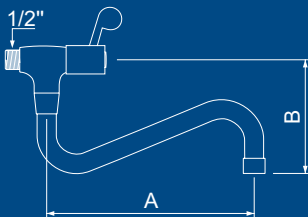
monobloc tap



part no.	upper part 1/2"	A (mm)	B (mm)
548758	ceramic head	170	140
548759	ceramic head	220	140
548760	ceramic head	300	140

part no.	upper part 1/2"	A (mm)	B (mm)
548746	ceramic head	150	225
548747	ceramic head	200	225
548748	ceramic head	250	225
548749	ceramic head	250	325
548751	ceramic head	300	225

flow rate 26l/min. at 3 bar



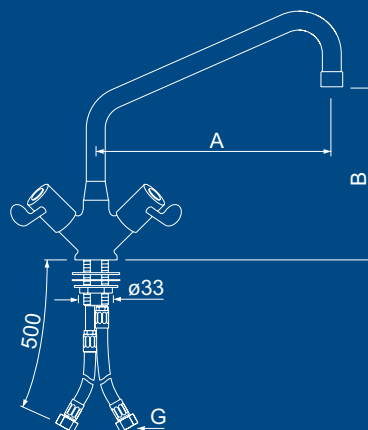
monobloc tap

part no.	upper part 1/2"	G	A (mm)	B (mm)
548791	ceramic head	3/8"	150	100
548792	ceramic head	3/8"	200	100
548793	ceramic head	3/8"	250	100
548950	ceramic head	1/2"	150	100
548951	ceramic head	1/2"	200	100
548952	ceramic head	1/2"	250	100



flow rate 33l/min. at 3 bar

part no.	upper part 1/2"	G	A (mm)	B (mm)
548963	ceramic head	3/8"	150	210
548964	ceramic head	3/8"	200	210
548965	ceramic head	3/8"	250	210
548966	ceramic head	3/8"	250	310
548967	ceramic head	3/8"	300	210
548978	ceramic head	1/2"	150	210
548979	ceramic head	1/2"	200	210
548980	ceramic head	1/2"	250	210
548981	ceramic head	1/2"	250	310
548982	ceramic head	1/2"	300	210



monobloc tap



column 400mm

part no.	upper part 1/2"	A (mm)	B (mm)
547669	ceramic head	250	610
547671	ceramic head	300	610

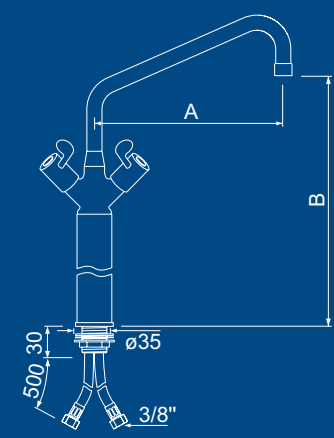
column 300mm

part no.	upper part 1/2"	A (mm)	B (mm)
547660	ceramic head	250	510
547662	ceramic head	300	510

column 200mm

part no.	upper part 1/2"	A (mm)	B (mm)
547651	ceramic head	250	410
547653	ceramic head	300	410

flow rate 33l/min. at 3 bar

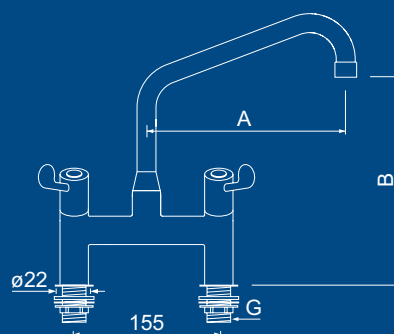


bridge mixer taps



part no.	upper part 1/2"	G	A (mm)	B (mm)
549026	ceramic head	3/4"	150	255
549027	ceramic head	3/4"	200	255
549028	ceramic head	3/4"	250	255
549029	ceramic head	3/4"	250	355
549030	ceramic head	3/4"	300	255
549011	ceramic head	1/2"	150	255
549012	ceramic head	1/2"	200	255
549013	ceramic head	1/2"	250	255
549014	ceramic head	1/2"	250	355
549015	ceramic head	1/2"	300	255

flow rate 55l/min. at 3 bar



wall-mounted with bridge mixer taps



part no.	upper part 1/2"	A (mm)	B (mm)
549085	ceramic head	170	140
549086	ceramic head	220	140
549087	ceramic head	300	140

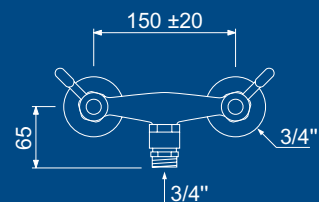
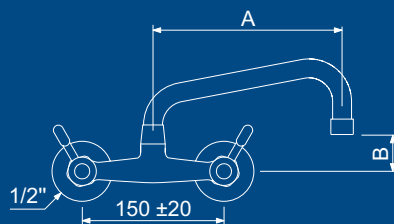
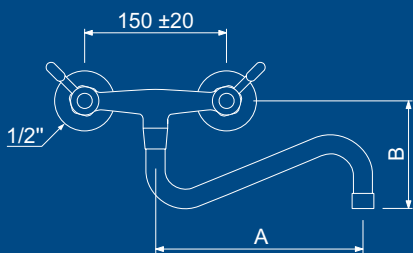
part no.	upper part 1/2"	A (mm)	B (mm)
549094	ceramic head	150	70
549095	ceramic head	200	70
549096	ceramic head	250	70

flow rate 42l/min. at 3 bar



with pipe aerator

part no.	upper part 1/2"	connection
591599	ceramic head	1/2"

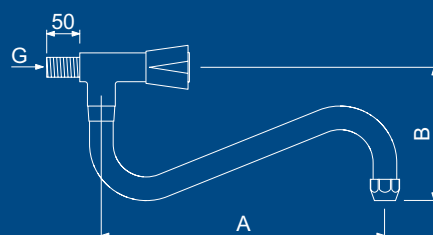


wall-mounted monobloc tap



part no.	upper part 3/4"	G	A (mm)	B (mm)
591449	tap head	3/4"	230	140
591450	tap head	3/4"	300	140
591451	tap head	3/4"	400	140
591418	tap head	1/2"	230	140
591419	tap head	1/2"	300	140
591420	tap head	1/2"	400	140

flow rate 75l/min. at 3 bar

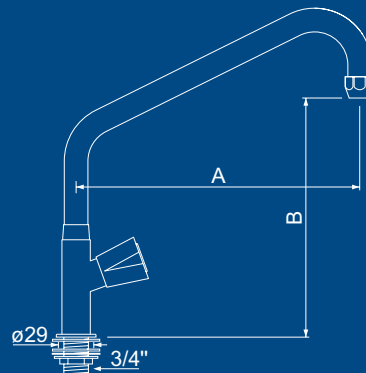


monobloc tap

part no.	upper part 3/4"	A (mm)	B (mm)
591370	tap head	250	165
591371	tap head	250	250
591372	tap head	250	320
591373	tap head	300	165
591374	tap head	300	250
591375	tap head	300	320
591376	tap head	350	165
591377	tap head	350	250
591378	tap head	350	320
591528	tap head	400	165
591529	tap head	400	250
591530	tap head	400	320
591531	tap head	450	165
591532	tap head	450	250
591533	tap head	450	320
591534	ceramic head	250	165
591535	ceramic head	250	250
591536	ceramic head	250	320
591537	ceramic head	300	165
591538	ceramic head	300	250
591539	ceramic head	300	320
591540	ceramic head	350	165
591541	ceramic head	350	250
591542	ceramic head	350	320
591543	ceramic head	400	165
591544	ceramic head	400	250
591545	ceramic head	400	320
591546	ceramic head	450	165
591547	ceramic head	450	250
591548	ceramic head	450	320



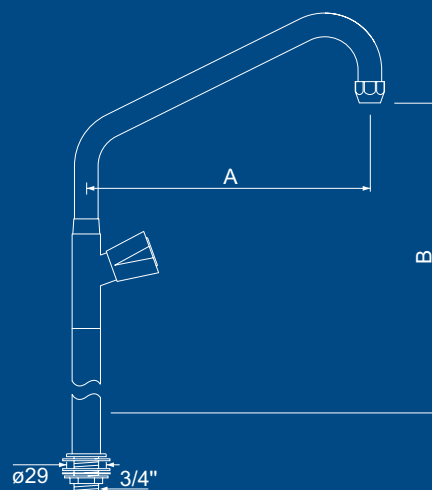
flow rate 90l/min. at 3 bar



monobloc tap

part no.	upper part 3/4"	A (mm)	B (mm)
591379	tap head	250	550
591380	tap head	250	620
591381	tap head	300	550
591382	tap head	300	620
591383	tap head	350	550
591384	tap head	350	620
591549	tap head	400	550
591550	tap head	400	620
591551	ceramic head	250	550
591552	ceramic head	250	620
591553	ceramic head	300	550
591554	ceramic head	300	620
591555	ceramic head	350	550
591556	ceramic head	350	620
591557	ceramic head	400	550
591558	ceramic head	400	620

flow rate 90l/min. at 3 bar

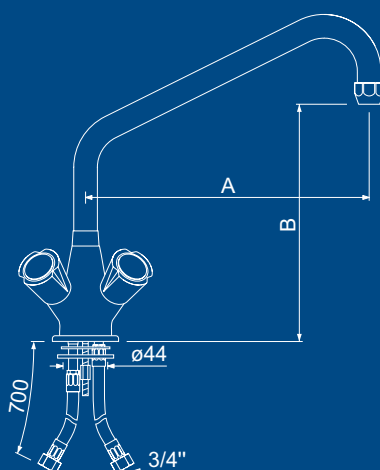


monobloc tap

part no.	upper part 3/4"	A (mm)	B (mm)
591385	tap head	250	165
591386	tap head	250	250
591306	tap head	250	320
591387	tap head	300	165
591388	tap head	300	250
591307	tap head	300	320
591389	tap head	350	165
591390	tap head	350	250
591308	tap head	350	320
591391	tap head	400	165
591392	tap head	400	250
591393	tap head	400	320
591559	tap head	450	165
591560	tap head	450	250
591561	tap head	450	320
591562	ceramic head	250	165
591563	ceramic head	250	250
591564	ceramic head	250	320
591565	ceramic head	300	165
591566	ceramic head	300	250
591567	ceramic head	300	320
591568	ceramic head	350	165
591569	ceramic head	350	250
591570	ceramic head	350	320
591571	ceramic head	400	165
591572	ceramic head	400	250
591573	ceramic head	400	320
591574	ceramic head	450	165
591575	ceramic head	450	250
591576	ceramic head	450	320



flow rate 92l/min. at 3 bar



monobloc tap



flow rate 92l/min. at 3 bar

column 360mm

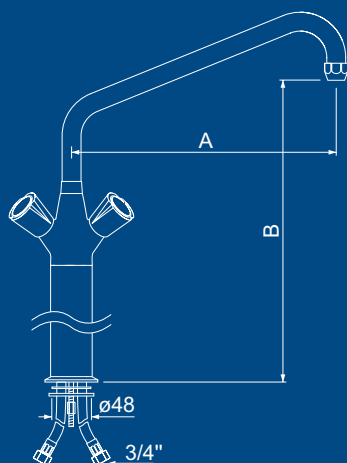
part no.	upper part 3/4"	A (mm)	B (mm)
591400	tap head	250	610
591401	tap head	300	610
591402	tap head	350	610
591591	tap head	400	610
591592	tap head	450	610
591593	ceramic head	250	610
591594	ceramic head	300	610
591595	ceramic head	350	610
591596	ceramic head	400	610
591597	ceramic head	450	610

column 260mm

part no.	upper part 3/4"	A (mm)	B (mm)
591397	tap head	250	510
591398	tap head	300	510
591399	tap head	350	510
591584	tap head	400	510
591585	tap head	450	510
591586	ceramic head	250	510
591587	ceramic head	300	510
591588	ceramic head	350	510
591589	ceramic head	400	510
591590	ceramic head	450	510

column 160mm

part no.	upper part 3/4"	A (mm)	B (mm)
591394	tap head	250	410
591395	tap head	300	410
591396	tap head	350	410
591577	tap head	400	410
591578	tap head	450	410
591579	ceramic head	250	410
591580	ceramic head	300	410
591581	ceramic head	350	410
591582	ceramic head	400	410
591583	ceramic head	450	410



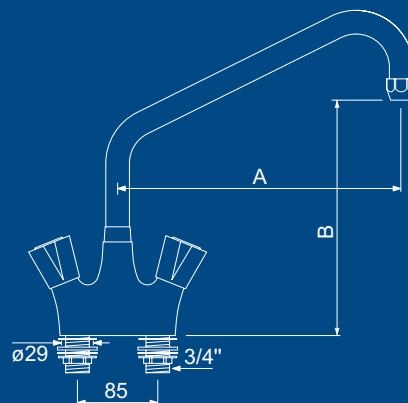
bridge mixer taps

part no.	upper part 3/4"	A (mm)	B (mm)
591600	tap head	250	110
591601	tap head	300	110
591602	ceramic head	250	110
591606	ceramic head	300	110

part no.	upper part 3/4"	A (mm)	B (mm)
591403	tap head	250	165
591404	tap head	250	250
591405	tap head	250	320
591406	tap head	300	165
591407	tap head	300	250
591408	tap head	300	320
591409	tap head	350	165
591410	tap head	350	250
591411	tap head	350	320
591660	tap head	400	165
591661	tap head	400	250
591662	tap head	400	320
591603	ceramic head	250	165
591604	ceramic head	250	250
591605	ceramic head	250	320
591607	ceramic head	300	165
591608	ceramic head	300	250
591609	ceramic head	300	320
591610	ceramic head	350	165
591611	ceramic head	350	250
591612	ceramic head	350	320
591613	ceramic head	400	165
591614	ceramic head	400	250
591615	ceramic head	400	320



flow rate 92l/min. at 3 bar



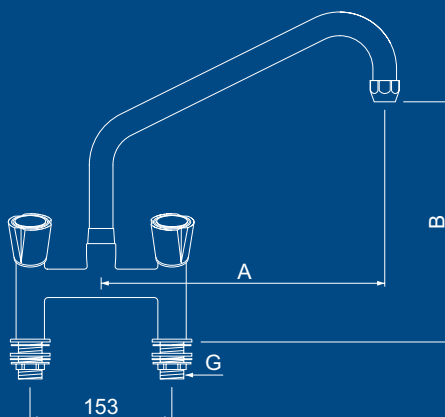
bridge mixer taps



flow rate 92l/min. at 3 bar

part no.	upper part 3/4"	G	A (mm)	B (mm)
591637	tap head	3/4"	250	165
591412	tap head	3/4"	250	250
591413	tap head	3/4"	250	320
591638	tap head	3/4"	300	165
591414	tap head	3/4"	300	250
591415	tap head	3/4"	300	320
591639	tap head	3/4"	350	165
591416	tap head	3/4"	350	250
591417	tap head	3/4"	350	320
591640	ceramic head	3/4"	250	165
591641	ceramic head	3/4"	250	250
591642	ceramic head	3/4"	250	320
591643	ceramic head	3/4"	300	165
591644	ceramic head	3/4"	300	250
591645	ceramic head	3/4"	300	320
591646	ceramic head	3/4"	350	165
591647	ceramic head	3/4"	350	250
591648	ceramic head	3/4"	350	320

part no.	upper part 3/4"	G	A (mm)	B (mm)
591616	tap head	1/2"	250	165
591424	tap head	1/2"	250	250
591425	tap head	1/2"	250	320
591617	tap head	1/2"	300	165
591426	tap head	1/2"	300	250
591427	tap head	1/2"	300	320
591618	tap head	1/2"	350	165
591428	tap head	1/2"	350	250
591429	tap head	1/2"	350	320
591619	ceramic head	1/2"	250	165
591620	ceramic head	1/2"	250	250
591621	ceramic head	1/2"	250	320
591622	ceramic head	1/2"	300	165
591623	ceramic head	1/2"	300	250
591624	ceramic head	1/2"	300	320
591625	ceramic head	1/2"	350	165
591626	ceramic head	1/2"	350	250
591627	ceramic head	1/2"	350	320



wall-mounted with bridge mixer taps

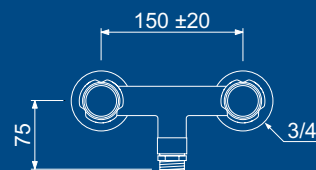
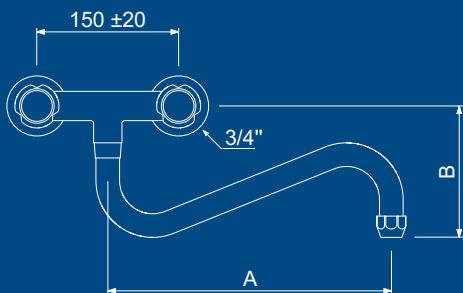


with pipe aerator

part no.	upper part 3/4"	G	A (mm)	B (mm)
591351	tap head	3/4"	230	140
591352	tap head	3/4"	300	140
591652	tap head	3/4"	450	140
591653	ceramic head	3/4"	230	140
591654	ceramic head	3/4"	300	140
591655	ceramic head	3/4"	450	140
591421	tap head	1/2"	230	140
591422	tap head	1/2"	300	140
591423	tap head	1/2"	450	140
591649	ceramic head	1/2"	230	140
591650	ceramic head	1/2"	300	140
591651	ceramic head	1/2"	450	140

part no.	upper part 3/4"	G
591363	tap head	3/4"
591658	ceramic head	3/4"

flow rate 75l/min. at 3 bar



monobloc tap

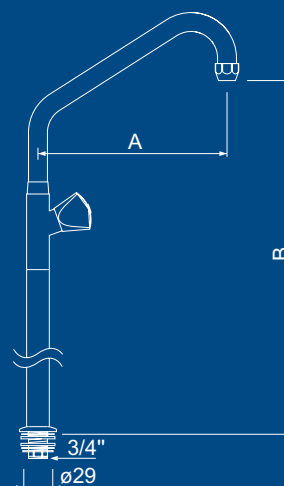
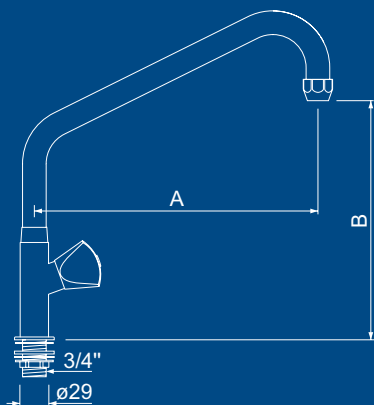


part no.	upper part 3/4"	A (mm)	B (mm)
549150	ceramic head	250	165
549151	ceramic head	250	250
549152	ceramic head	250	320
549154	ceramic head	300	165
549155	ceramic head	300	250
549156	ceramic head	300	320
549158	ceramic head	350	165
549159	ceramic head	350	250
549160	ceramic head	350	320
549162	ceramic head	400	165
549163	ceramic head	400	250
549164	ceramic head	400	320
549166	ceramic head	450	165
549167	ceramic head	450	250
549168	ceramic head	450	320



part no.	upper part 3/4"	A (mm)	B (mm)
549219	ceramic head	250	550
549220	ceramic head	250	620
549221	ceramic head	300	550
549222	ceramic head	300	620
549223	ceramic head	350	550
549224	ceramic head	350	620
549225	ceramic head	400	550
549226	ceramic head	400	620

flow rate 90l/min. at 3 bar



monobloc tap



part no.	upper part 3/4"	A (mm)	B (mm)
549429	ceramic head	250	165
549430	ceramic head	250	250
549431	ceramic head	250	320
549433	ceramic head	300	165
549434	ceramic head	300	250
549435	ceramic head	300	320
549437	ceramic head	350	165
549438	ceramic head	350	250
549439	ceramic head	350	320
549441	ceramic head	400	165
549442	ceramic head	400	250
549443	ceramic head	400	320
549445	ceramic head	450	165
549446	ceramic head	450	250
549447	ceramic head	450	320

column 360mm

part no.	upper part 3/4"	A (mm)	B (mm)
549558	ceramic head	250	610
549560	ceramic head	300	610
549562	ceramic head	350	610
549564	ceramic head	400	610
549566	ceramic head	450	610

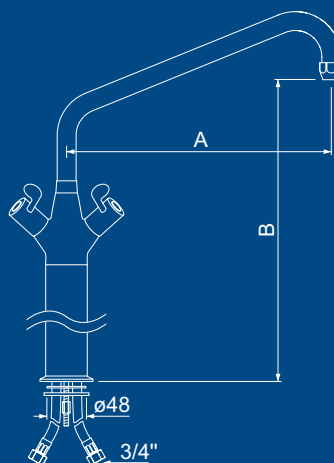
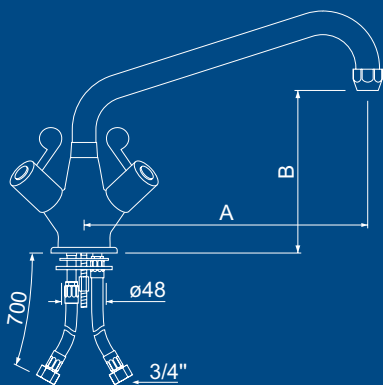
column 260mm

part no.	upper part 3/4"	A (mm)	B (mm)
549528	ceramic head	250	510
549530	ceramic head	300	510
549532	ceramic head	350	510
549534	ceramic head	400	510
549536	ceramic head	450	510

column 160mm

part no.	upper part 3/4"	A (mm)	B (mm)
549468	ceramic head	250	410
549470	ceramic head	300	410
549472	ceramic head	350	410
549474	ceramic head	400	410
549476	ceramic head	450	410

flow rate 92l/min. at 3 bar



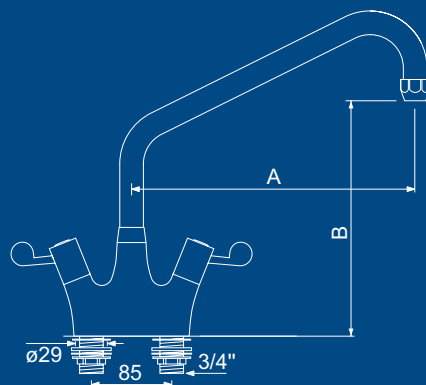
bridge mixer taps

part no.	upper part 3/4"	A (mm)	B (mm)
549317	ceramic head	250	110
549318	ceramic head	300	110



flow rate 92l/min. at 3 bar

part no.	upper part 3/4"	A (mm)	B (mm)
549606	ceramic head	250	165
549607	ceramic head	250	250
549608	ceramic head	250	320
549610	ceramic head	300	165
549611	ceramic head	300	250
549612	ceramic head	300	320
549614	ceramic head	350	165
549615	ceramic head	350	250
549616	ceramic head	350	320
549618	ceramic head	400	165
549619	ceramic head	400	250
549620	ceramic head	400	320

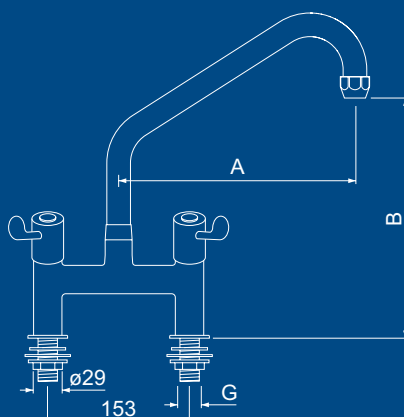


bridge mixer taps

part no.	upper part 3/4"	G	A (mm)	B (mm)
549663	ceramic head	3/4"	250	165
549664	ceramic head	3/4"	250	250
549665	ceramic head	3/4"	250	320
549667	ceramic head	3/4"	300	165
549668	ceramic head	3/4"	300	250
549669	ceramic head	3/4"	300	320
549671	ceramic head	3/4"	350	165
549672	ceramic head	3/4"	350	250
549673	ceramic head	3/4"	350	320
591628	ceramic head	1/2"	250	165
591629	ceramic head	1/2"	250	250
591630	ceramic head	1/2"	250	320
591631	ceramic head	1/2"	300	165
591632	ceramic head	1/2"	300	250
591633	ceramic head	1/2"	300	320
591634	ceramic head	1/2"	350	165
591635	ceramic head	1/2"	350	250
591636	ceramic head	1/2"	350	320



flow rate 92l/min. at 3 bar



wall-mounted with bridge mixer taps

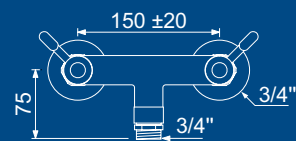
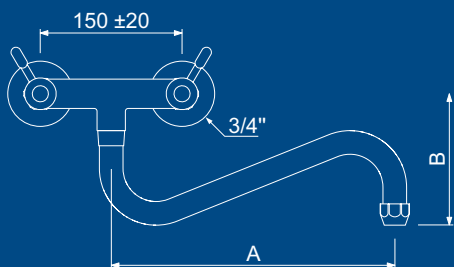
flow rate 75l/min. at 3 bar



with pipe aerator

part no.	upper part 3/4"	G	A (mm)	B (mm)
549738	ceramic head	3/4"	230	140
549739	ceramic head	3/4"	300	140
549740	ceramic head	3/4"	450	140
549690	ceramic head	1/2"	230	140
549691	ceramic head	1/2"	300	140
549692	ceramic head	1/2"	450	140

part no.	upper part 3/4"	connection
591659	ceramic head	3/4"



single lever monobloc tap



cartridge
ø 40mm



cartridge
ø 47mm



cartridge
ø 47mm

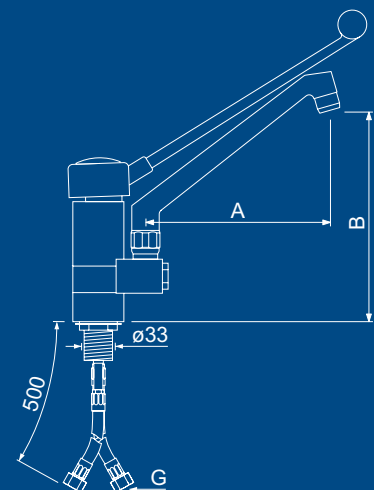
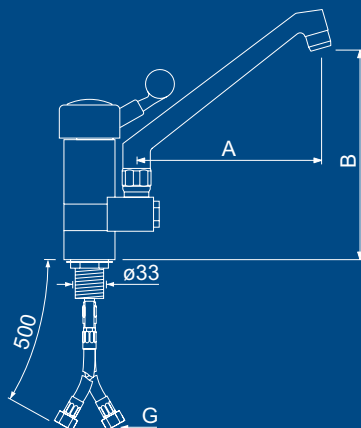
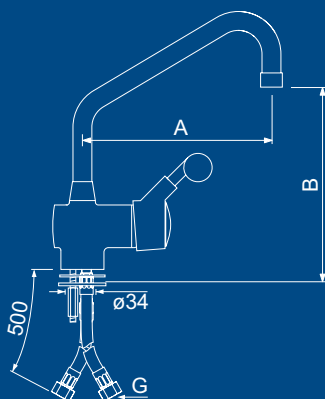
part no.	G	A (mm)	B (mm)
549370	3/8"	150	230
549371	3/8"	200	230
549372	3/8"	250	230
549373	3/8"	250	230
549374	3/8"	300	230
549375	1/2"	150	230
549376	1/2"	200	230
549377	1/2"	250	230
549378	1/2"	250	230
549379	1/2"	300	230

flow rate 29l/min. at 3 bar

part no.	G	A (mm)	B (mm)
547872	3/8"	200	220
547873	3/8"	250	270
548048	1/2"	200	220
548049	1/2"	250	270

flow rate 35l/min. at 3 bar

part no.	G	A (mm)	B (mm)
547874	3/8"	200	220
548050	3/8"	250	270
548051	1/2"	200	220
548052	1/2"	250	270



single lever monobloc tap



part no.	connection	A (mm)	B (mm)
591327	3/8"	205	120

flow rate 25l/min. at 3 bar

part no.	connection	A (mm)	B (mm)
591328	3/8"	205	120

flow rate 20l/min. at 3 bar

 low pressure



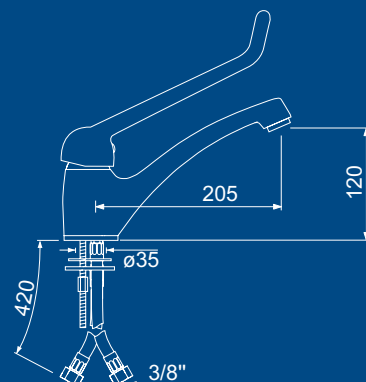
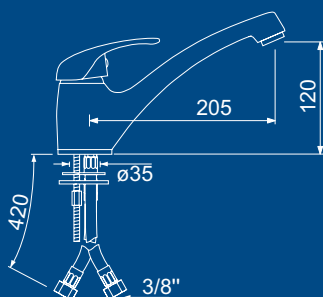
part no.	connection	A (mm)	B (mm)
591329	3/8"	205	120

flow rate 25l/min. at 3 bar

part no.	connection	A (mm)	B (mm)
591330	3/8"	205	120

flow rate 20l/min. at 3 bar

 low pressure



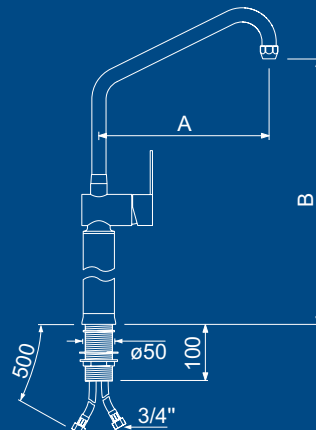
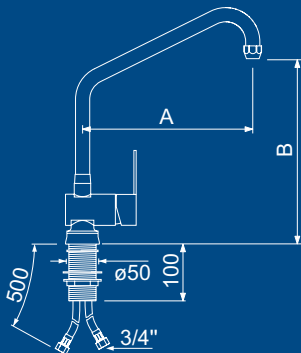


part no.	connection	A (mm)	B (mm)
591335	3/4"	250	330
591336	3/4"	300	320
591337	3/4"	400	320



part no.	connection	A (mm)	B (mm)
591338	3/4"	250	410
591339	3/4"	300	410
591340	3/4"	400	410
591341	3/4"	250	510
591342	3/4"	300	510
591343	3/4"	400	510

flow rate 70l/min. at 3 bar



single lever bridge mixer taps



cartridge
ø 47mm

part no.	G	A (mm)	B (mm)
548073	1/2"	200	250
548074	1/2"	250	290
548076	3/4"	200	250
548077	3/4"	250	290



part no.	G	A (mm)	B (mm)
547773	1/2"	200	250
547774	1/2"	250	290
548078	3/4"	200	250
548079	3/4"	250	290

flow rate 42/min. at 3 bar

single lever wall-mounted water tap



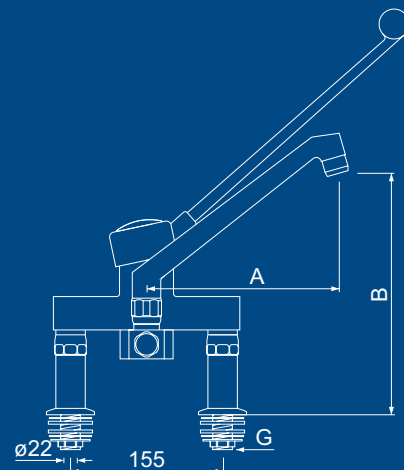
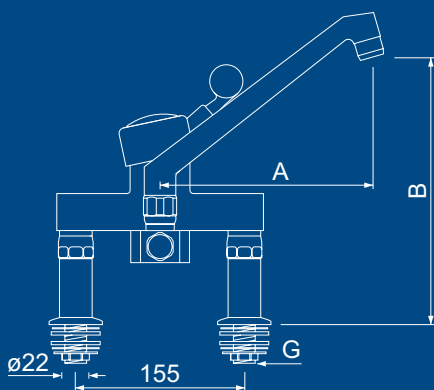
cartridge
ø 47mm

part no.	G	A (mm)	B (mm)
548223	1/2"	200	200
548224	1/2"	250	240



part no.	G	A (mm)	B (mm)
548225	1/2"	200	200
548226	1/2"	250	240

flow rate 42/min. at 3 bar



angle valves/accessories



part no.	inlet A	outlet B
540095	3/8"	3/8"-10mm
540042	1/2"	3/8"-10mm



self-sealing

part no.	inlet A	outlet B
543280	1/2"	3/8"-10mm



part no.	inlet A	outlet B
548544	1/2"	1/2"
548623	1/2"	3/4"
548633	3/4"	1/2"
548634	3/4"	3/4"



part no.	inlet A	outlet B	length(mm)
520466	3/8"	M10x1	500
520465	1/2"	M10x1	500
520472	1/2"	M10x1	800



part no.	inlet A	outlet B	length(mm)
520392	3/4"	3/8"	700
520393	3/4"	3/8"	1000



part no.	inlet A	outlet B	length(mm)
520632	1/2"	1/2"	500
520635	3/4"	3/4"	500



GEV Großküchen-Ersatzteil-Vertrieb GmbH

Gadastr. 4
85232 Bergkirchen
Germany

www.gev-online.com

Tel.: +49 (0)8142 6522-50

Fax: +49 (0)8142 6522-629

info@gev-online.com



GEV Catering Spares Ltd

Premier House
Harlaxton Road
Grantham, NG31 7JX
United Kingdom

www.gev-online.co.uk

Tel.: +44 (0)1476 583922

Fax: +44 (0)1476 514640

info@gev-online.co.uk



P021101501

We accept no liability for the accuracy of technical descriptions and illustrations in our catalogue and we reserve the right for any printing errors.