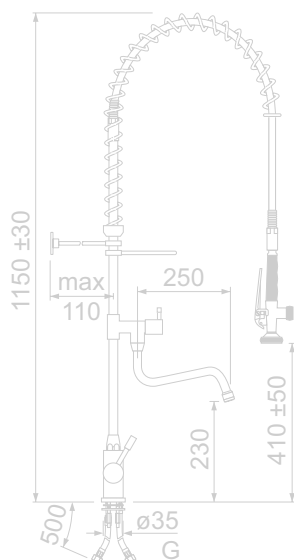




# Pre-rinse units and water taps



**INOX**

# Pre-rinse units **INOX**

**100 % stainless steel**

**Easy cleaning**

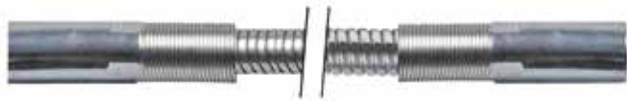
**Meets highest hygiene requirements**



You will find further models as well as details of prices, availability and spare parts in our Webshop  
[www.gev-online.co.uk](http://www.gev-online.co.uk)  
[www.gev-online.com](http://www.gev-online.com)

**Stainless steel strip wound hose for bend protection on both sides**

100%  
Stainless steel

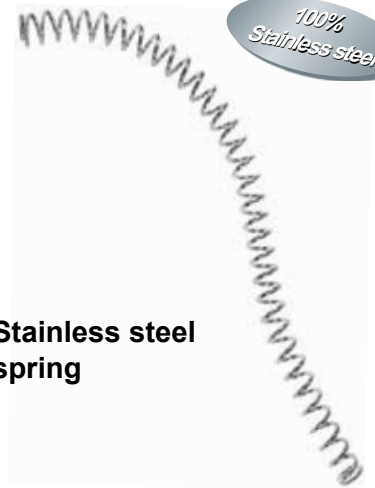


KTW approved

Best quality strip wound hose for pre-rinse units on the market!



with pressed interior hose



100%  
Stainless steel

**Stainless steel spring**

## Best quality

Through strict quality management and continuous product improvement our products are particularly user-friendly and dependable:

- Each component used is of high quality material
- Components are assembled in-house and subject to our strict quality controls
- We back our quality with a 12 month warranty (except for any wear and tear parts)

100%  
Stainless steel

**Spray gun**



100%  
Stainless steel

**Spray valve holder**

adjustable in height

**Wall holder**



**Spring holder**

adjustable in height

**Riser pipe**

permanently sealed by double o-ring gasket

100%  
Stainless steel



T-part with integrated valve fitting

spout watertight due to double o-ring-gasket

# Pre-rinse units INOX

with monobloc tap

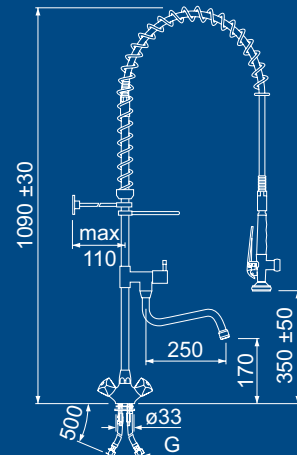
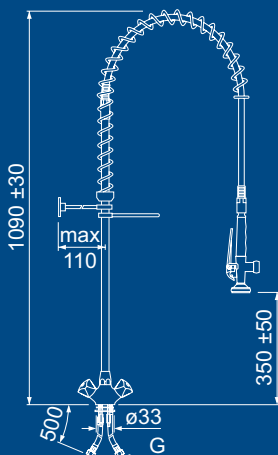


flow-rate spray gun  
16l/min at 3 bar

flow-rate swivel spout  
32l/min at 3 bar

part no.	G	upper part 1/2"
<b>546021</b>	3/8"	tap head
<b>549783</b>	3/8 "	ceramic head
<b>546022</b>	1/2"	tap head
<b>549784</b>	1/2"	ceramic head

part no.	G	upper part 1/2"
<b>546019</b>	3/8"	tap head
<b>549781</b>	3/8"	ceramic head
<b>546020</b>	1/2"	tap head
<b>549782</b>	1/2"	ceramic head



with bridge mixer tap

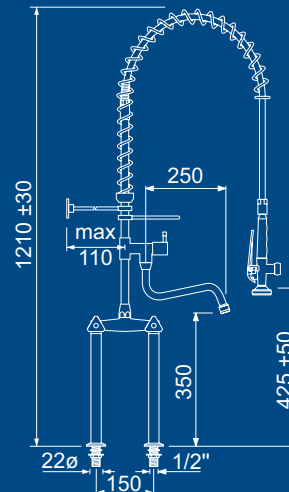
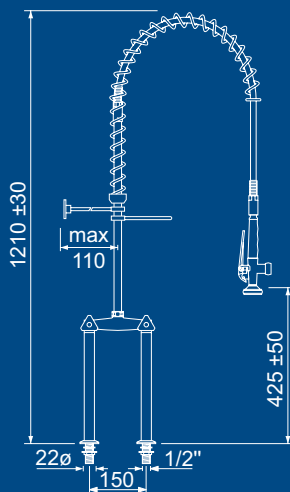


flow-rate spray gun  
16l/min at 3 bar  
flow-rate swivel spout  
42l/min at 3 bar



part no.	connection	upper part 1/2"
<b>546026</b>	1/2"	tap head
<b>549791</b>	1/2"	ceramic head

part no.	connection	upper part 1/2"
<b>546025</b>	1/2"	tap head
<b>549790</b>	1/2"	ceramic head



# Pre-rinse units INOX

wall-mounted with bridge mixer tap

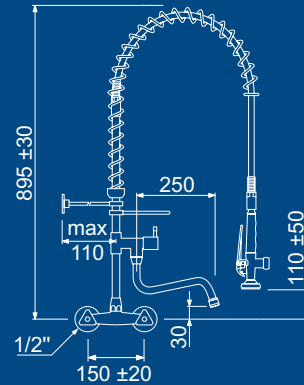
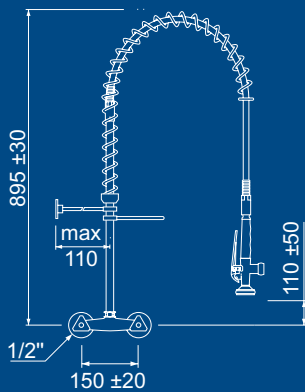


flow-rate spray gun  
16l/min at 3 bar  
flow-rate swivel spout  
42l/min at 3 bar



part no.	connection	upper part 1/2"
<b>546018</b>	1/2"	tap head
<b>549779</b>	1/2"	ceramic head

part no.	connection	upper part 1/2"
<b>546017</b>	1/2"	tap head
<b>549787</b>	1/2"	ceramic head



with single lever monobloc tap



cartridge  
ø 40mm

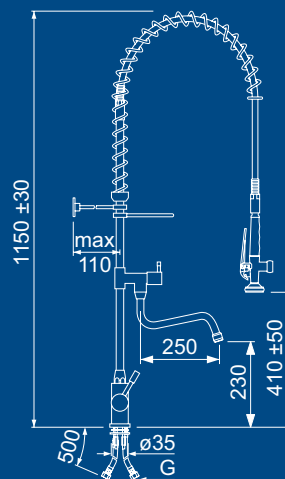
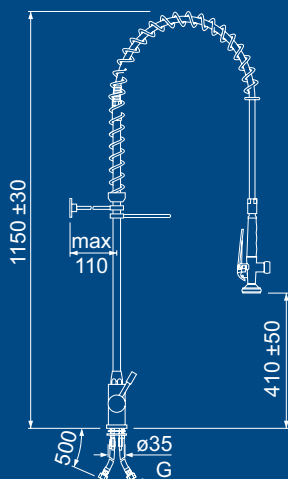
flow-rate spray gun  
16l/min at 3 bar  
flow-rate swivel spout  
25l/min at 3 bar



cartridge  
ø 40mm

part no.	connection
549785	3/8"
549786	1/2"

part no.	connection
549778	3/8"
549780	1/2"



# Pre-rinse units INOX

with single lever bridge mixer tap



flow-rate spray gun  
16l/min at 3 bar  
flow-rate swivel spout  
25l/min at 3 bar

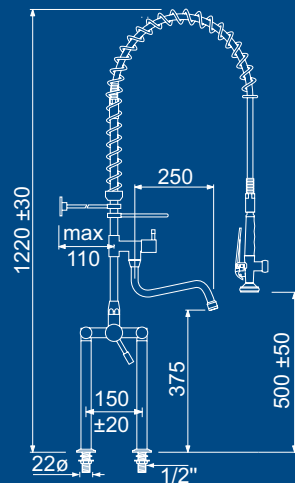
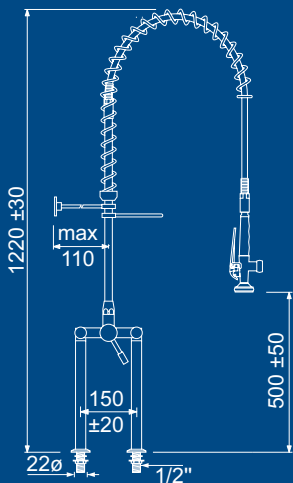
cartridge  
Ø 40mm

part no.	connection
546024	1/2"



cartridge  
Ø 40mm

part no.	connection
546023	1/2"





wall-mounted with single lever bridge mixer tap



flow-rate spray gun  
16l/min at 3 bar  
flow-rate swivel spout  
25l/min at 3 bar

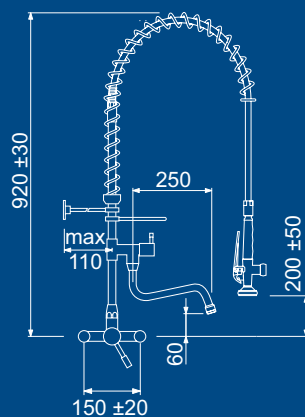
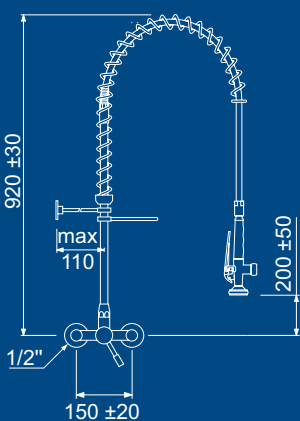
cartridge  
ø 40mm

part no.	connection
546015	1/2"



cartridge  
ø 40mm

part no.	connection
546016	1/2"



# Pre-rinse units INOX

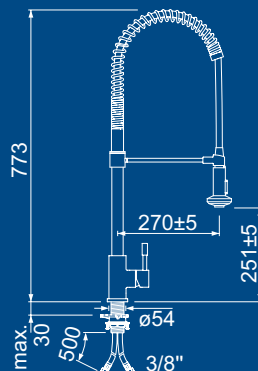
with single lever monobloc tap



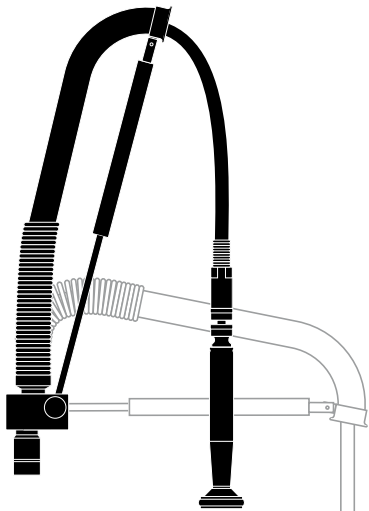
cartridge  
Ø 35mm

flow-rate spray gun  
12l/min at 3 bar  
flow-rate swivel spout  
22l/min at 3 bar

part no.	connection
546200	3/8"

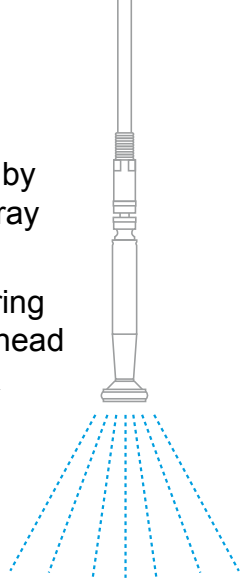


## automatic upper part

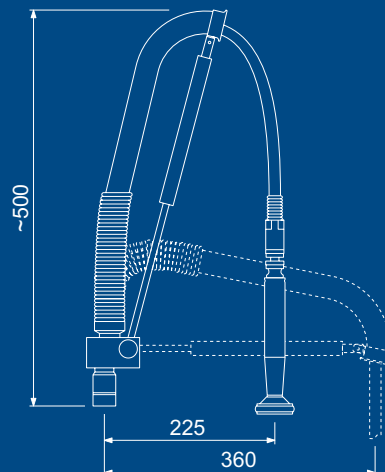


### INOX AUTOMATIC

- waterflow activated by pulling down the spray head
- built-in pressure spring prevents the spray head from springing back quickly



part no.  
**545705**



# Pre-rinse units INOX AUTOMATIC

with monobloc tap

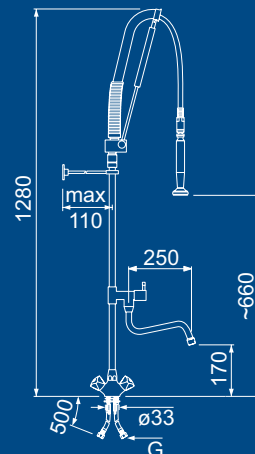
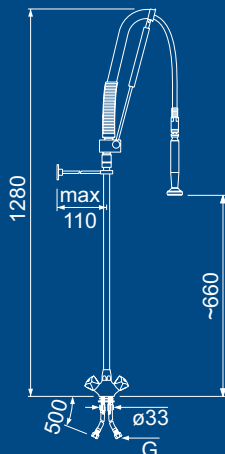


flow-rate spray gun  
14l/min at 3 bar  
flow-rate swivel spout  
32l/min at 3 bar

part no.	G	upper part 1/2"
<b>546902</b>	3/8"	tap head
<b>546903</b>	1/2"	tap head
<b>546906</b>	3/8"	ceramic head
<b>546907</b>	1/2"	ceramic head



part no.	G	upper part 1/2"
<b>546900</b>	3/8"	tap head
<b>546901</b>	1/2"	tap head
<b>546904</b>	3/8"	ceramic head
<b>546905</b>	1/2"	ceramic head



with bridge mixer tap



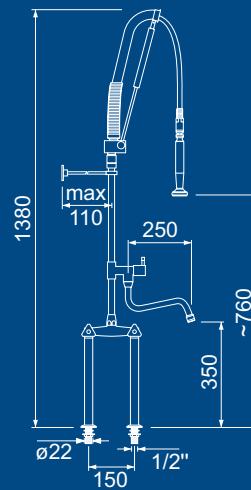
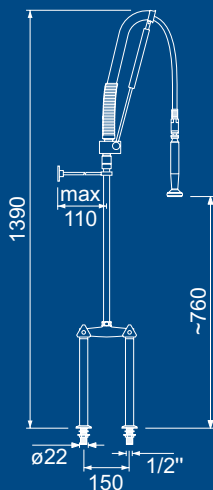
flow-rate spray gun  
14l/min at 3 bar

flow-rate swivel spout  
42l/min at 3 bar

part no.	connection	upper part 1/2"
<b>546909</b>	1/2"	tap head
<b>546911</b>	1/2"	ceramic head



part no.	connection	upper part 1/2"
<b>546908</b>	1/2"	tap head
<b>546910</b>	1/2"	ceramic head



# Pre-rinse units INOX AUTOMATIC

wall-mounted with bridge mixer tap

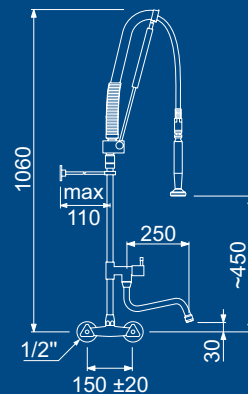
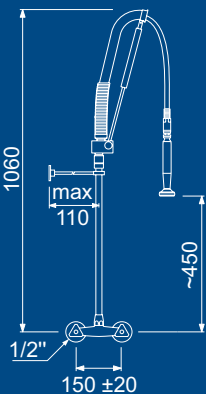


flow-rate spray gun  
14l/min at 3 bar  
flow-rate swivel spout  
42l/min at 3 bar



part no.	connection	upper part 1/2"
<b>546913</b>	1/2"	tap head
<b>546915</b>	1/2"	ceramic head

part no.	connection	upper part 1/2"
<b>546912</b>	1/2"	tap head
<b>546914</b>	1/2"	ceramic head



with single lever monobloc tap



flow-rate spray gun  
14l/min at 3 bar  
flow-rate swivel spout  
25l/min at 3 bar

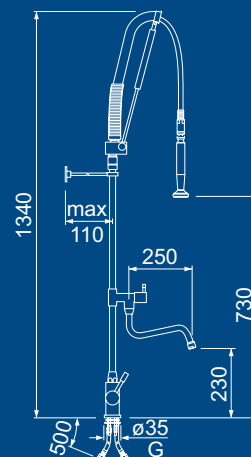
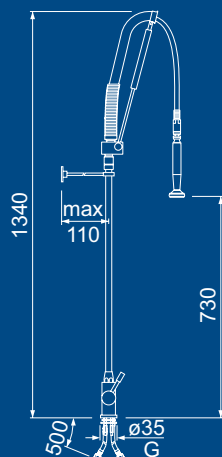
cartridge  
Ø 40mm

part no.	G
<b>546919</b>	3/8"
<b>546918</b>	1/2"



cartridge  
Ø 40mm

part no.	G
<b>546917</b>	3/8"
<b>546916</b>	1/2"



# Pre-rinse units INOX AUTOMATIC

with single lever bridge mixer tap



flow-rate spray gun  
14l/min at 3 bar  
flow-rate swivel spout  
25l/min at 3 bar

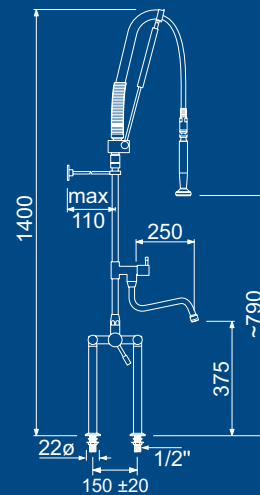
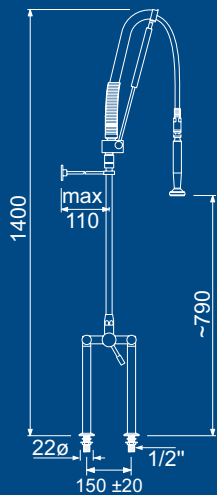
cartridge  
ø 40mm

part no.	connection
<b>546923</b>	1/2"



cartridge  
ø 40mm

part no.	connection
<b>546922</b>	1/2"





wall-mounted with single lever bridge mixer tap



flow-rate spray gun  
14l/min at 3 bar  
flow-rate swivel spout  
25l/min at 3 bar

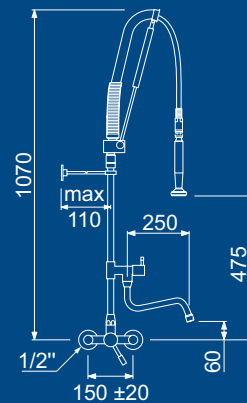
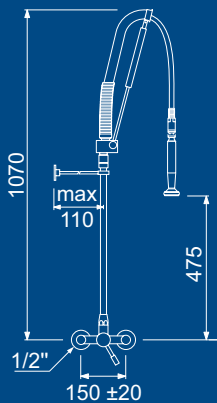
cartridge  
ø 40mm

part no.	connection
546920	1/2"



cartridge  
ø 40mm

part no.	connection
546921	1/2"



# Water taps

## INOX

**100 % stainless steel**

**long-lasting quality in tough conditions**



## monobloc tap



flow-rate  
32l/min at 3 bar

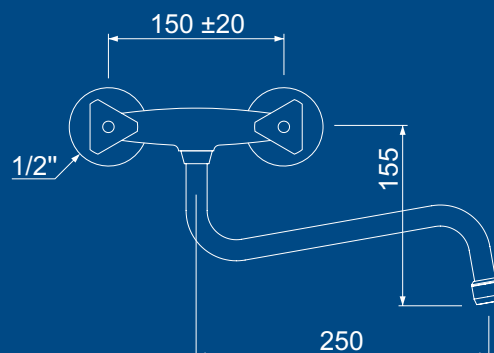
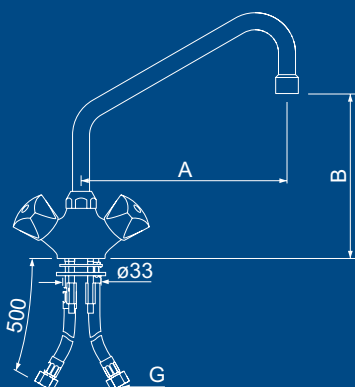
## wall-mounted bridge mixer tap



flow-rate  
42l/min at 3 bar

part no.	G	A	B	upper part 1/2"
545146	3/8"	185	150	tap head
545147	3/8"	220	170	tap head
545148	3/8"	255	190	tap head
549890	3/8"	185	150	ceramic head
549892	3/8"	220	170	ceramic head
549894	3/8"	255	190	ceramic head
545149	1/2"	185	150	tap head
545150	1/2"	220	170	tap head
545151	1/2"	255	190	tap head
549891	1/2"	185	150	ceramic head
549893	1/2"	220	170	ceramic head
549895	1/2"	255	190	ceramic head

part no.	connection	upper part 1/2"
549286	1/2"	tap head
549905	1/2"	ceramic head



# Water taps INOX

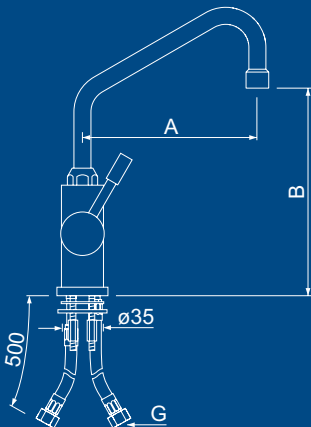
## single lever monobloc tap



cartridge  
ø 35mm

part no.	G	A	B
549896	3/8"	185	220
549897	3/8"	185	220
549898	3/8"	220	240
549899	1/2"	220	240
549900	1/2"	255	260
549901	1/2"	255	260

flow-rate  
22l/min at 3 bar



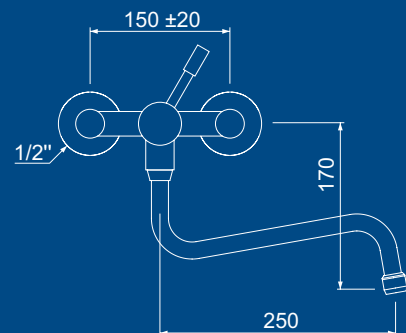
## wall-mounted single lever bridge mixer tap



cartridge  
ø 35mm

part no.	connection
549909	1/2"

flow-rate  
24l/min at 3 bar



## single lever monobloc tap



cartridge  
ø 40mm

part no.	G
549910	3/8"
549911	1/2"

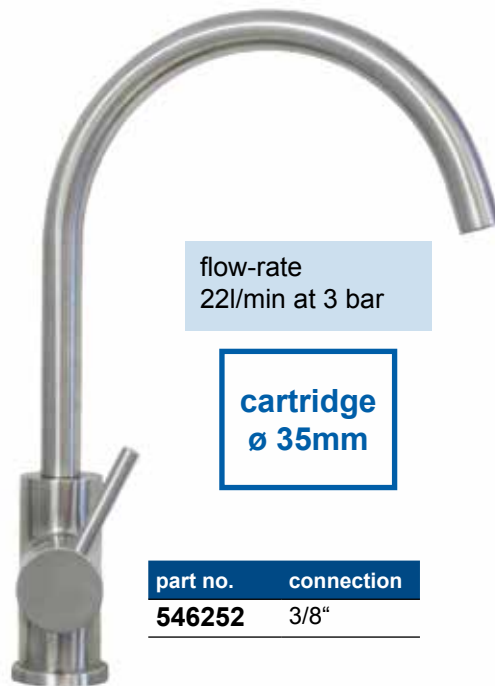
flow-rate  
26l/min at 3 bar



cartridge  
ø 35mm

part no.	connection
546251	3/8"

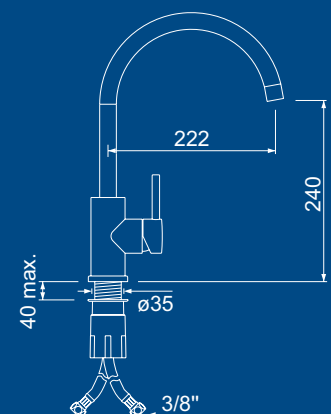
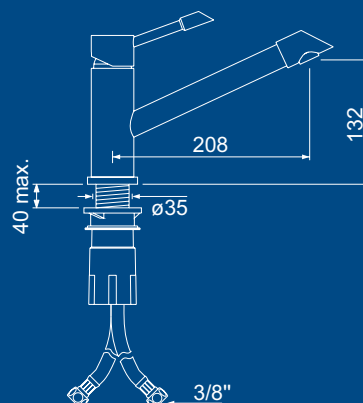
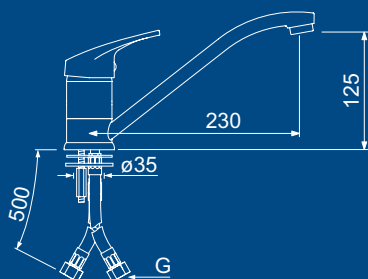
flow-rate  
22l/min at 3 bar



flow-rate  
22l/min at 3 bar

cartridge  
ø 35mm

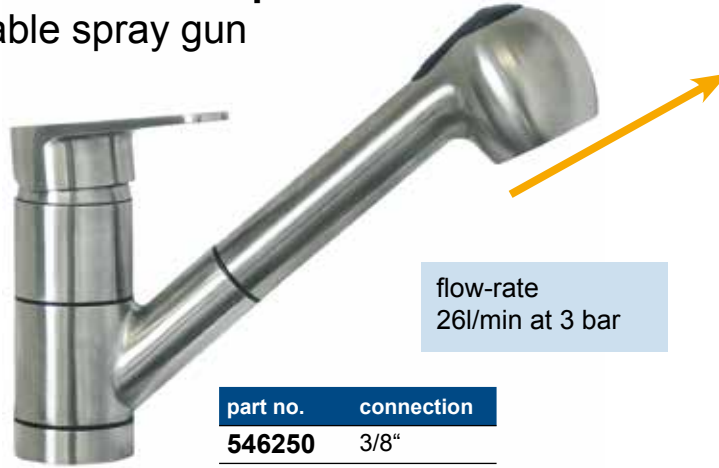
part no.	connection
546252	3/8"



# Water taps INOX

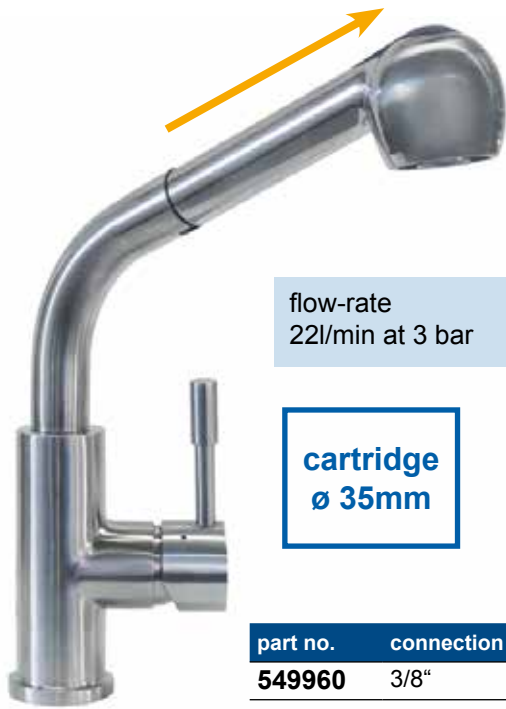
single lever monobloc tap  
with extractable spray gun

cartridge  
ø 40mm



flow-rate  
26l/min at 3 bar

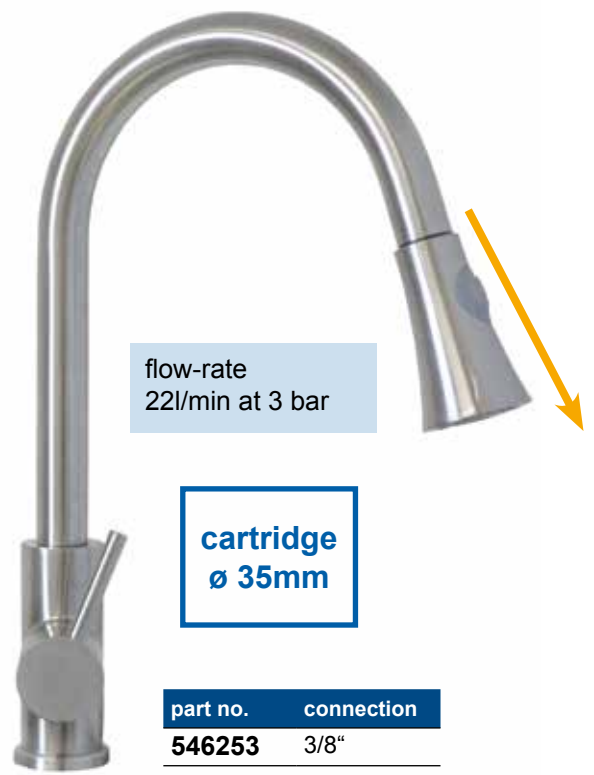
part no.	connection
546250	3/8"



flow-rate  
22l/min at 3 bar

cartridge  
ø 35mm

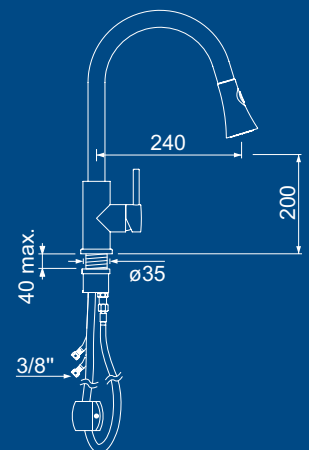
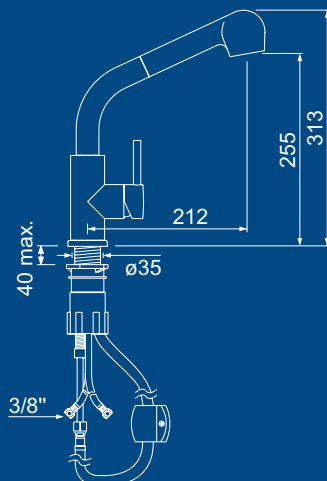
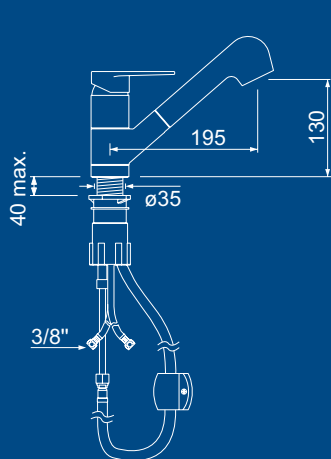
part no.	connection
549960	3/8"



flow-rate  
22l/min at 3 bar

cartridge  
ø 35mm

part no.	connection
546253	3/8"







**GEV Großküchen-Ersatzteil-Vertrieb GmbH**

Gadastr. 4  
85232 Bergkirchen  
Germany  
[www.gev-online.com](http://www.gev-online.com)  
Tel.: +49 (0)8142 6522-50  
Fax: +49 (0)8142 6522-629  
[info@gev-online.com](mailto:info@gev-online.com)



**GEV Catering Spares Ltd**

Premier House  
Harlaxton Road  
Grantham, NG31 7JX  
United Kingdom  
[www.gev-online.co.uk](http://www.gev-online.co.uk)  
Tel.: +44 (0)1476 583922  
Fax: +44 (0)1476 514640  
[info@gev-online.co.uk](mailto:info@gev-online.co.uk)



P021101601

We accept no liability for the accuracy of technical descriptions and illustrations in our catalogue and we reserve the right for any printing errors.