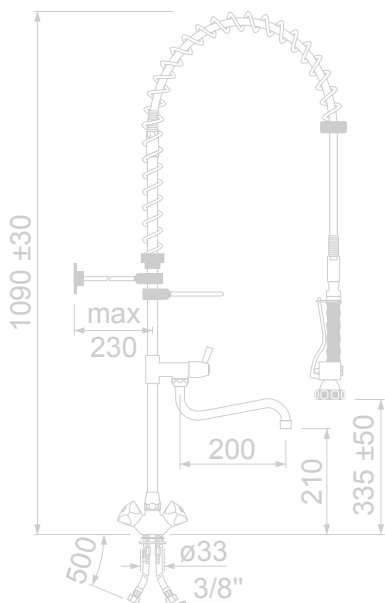




Pre-rinse units and water taps



CLASSIC



2016 EDITION

Pre-rinse units

CLASSIC

Robust, high quality pre-rinse units

Excellent value for money



part no. 548804

Pre-rinse unit with
backflow restrictor
DVGW approved

You will find further models as well as details of prices, availability and spare parts in our Webshop
www.gev-online.co.uk
www.gev-online.com

Robust stainless steel strip wound hose



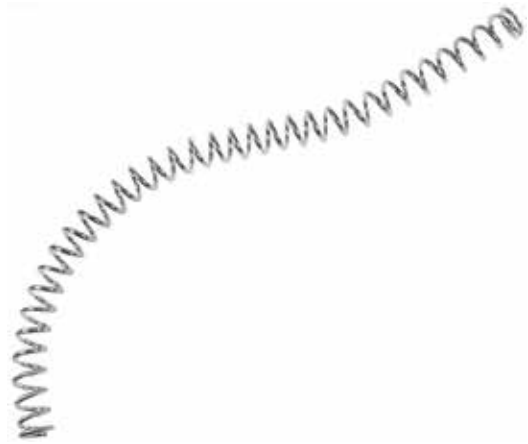
Best quality strip wound hose for pre-rinse units in this price class

Best quality in this price category

Through strict quality management and continuous product improvement our products are particularly user-friendly and dependable:

- Each component used is of high quality material
- Components are assembled in-house and subject to our strict quality controls
- We back our quality with a 12 month warranty (except for any wear and tear parts)

Stainless steel spring



Wall holder set with built-in nuts



Riser pipe

permanently sealed by double o-ring gasket



New valve body made of one part



without water tap



part no.	connection
547687	1/2"
without shut-off	

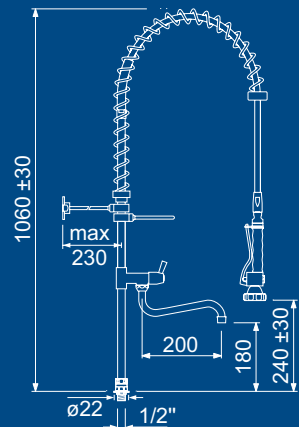
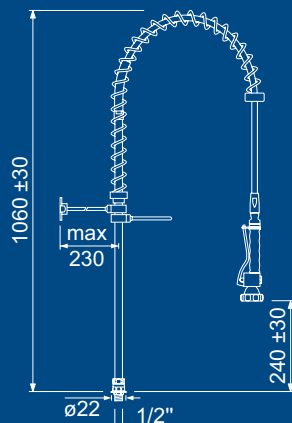
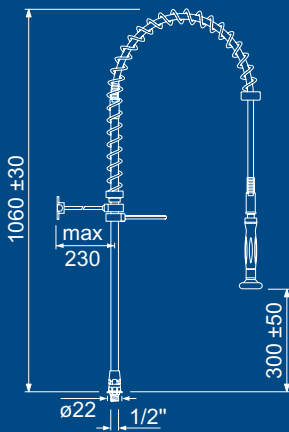


part no.	connection
547453	1/2"
with shut-off	



part no.	connection
547369	1/2"
with shut-off and swivel spout	

flow rate spray gun 16l/min. at 3 bar



with pillar tap

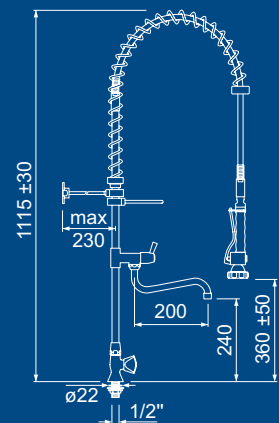
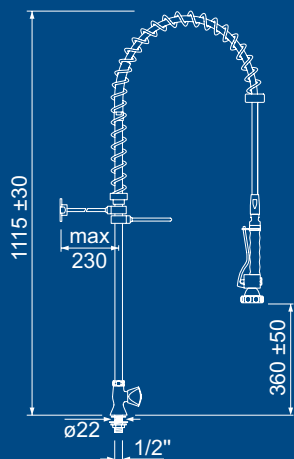


part no.	upper part 1/2"
548800	tap head
548815	ceramic head



part no.	upper part 1/2"
548801	tap head
548816	ceramic head

flow rate spray gun 16l/min. at 3 bar
 flow rate swivel spout 26l/min. at 3 bar



with monobloc tap

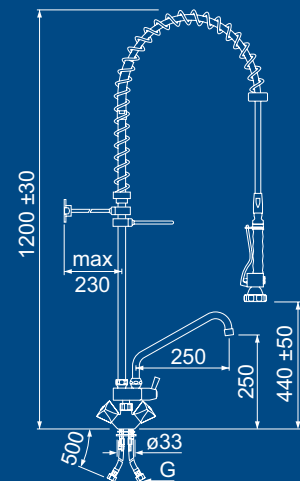
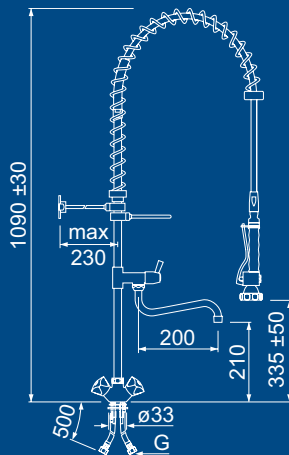
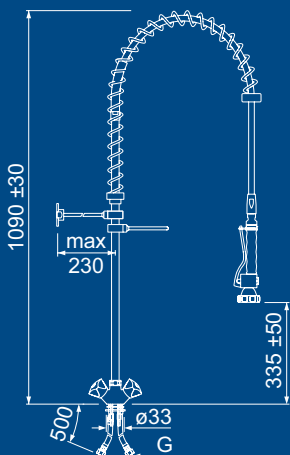


part no.	upper part 1/2"	G
548802	tap head	3/8"
548817	ceramic head	3/8"
548803	tap head	1/2"
548818	ceramic head	1/2"

part no.	upper part 1/2"	G
548804	tap head	3/8"
548819	ceramic head	3/8"
548805	tap head	1/2"
548820	ceramic head	1/2"

part no.	upper part 1/2"	G
542520	tap head	3/8"
542244	ceramic head	3/8"
542521	tap head	1/2"
542245	ceramic head	1/2"

flow rate spray gun 16l/min. at 3 bar
 flow rate swivel spout 36l/min. at 3 bar



short type with monobloc tap

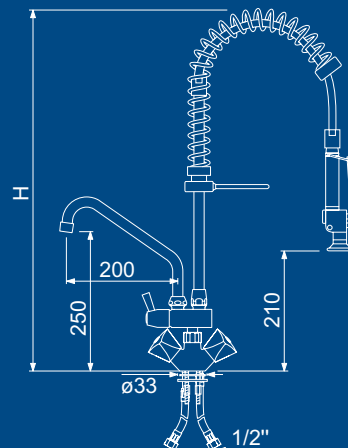
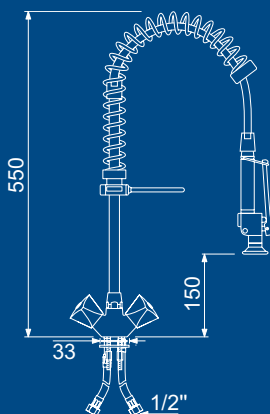


part no.	upper part 1/2"	connection
547889	tap head	1/2"



part no.	upper part 1/2"	connection	H(mm)
547892	tap head	1/2"	550
547891	tap head	1/2"	610

flow rate spray gun 16l/min. at 3 bar
 flow rate swivel spout 36l/min. at 3 bar



with bridge mixer tap

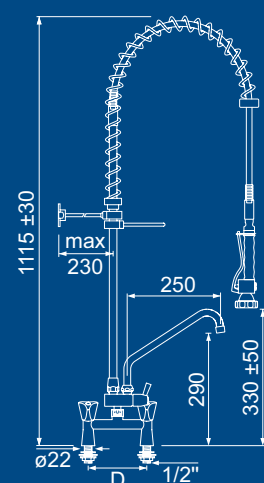
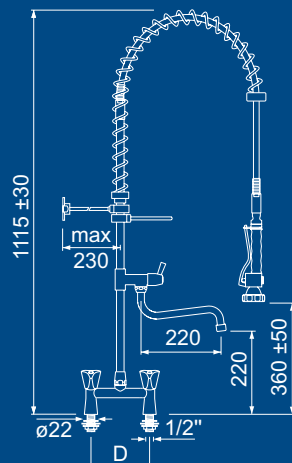
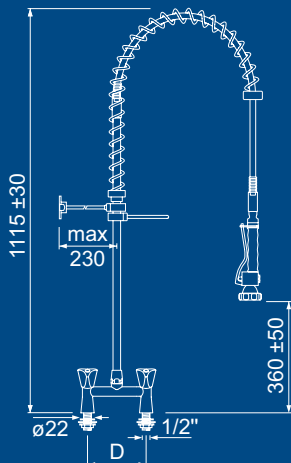


part no.	upper part 1/2"	D(mm)
548910	tap head	155
548912	ceramic head	155
545049	tap head	180
545153	ceramic head	180

part no.	upper part 1/2"	D(mm)
548911	tap head	155
548913	ceramic head	155
545057	tap head	180
545154	ceramic head	180

part no.	upper part 1/2"	D(mm)
542246	tap head	155
542247	ceramic head	155
545155	tap head	180
545156	ceramic head	180

flow rate spray gun 16l/min. at 3 bar
 flow rate swivel spout 55l/min. at 3 bar





part no.	upper part 1/2"
548810	tap head
548825	ceramic head

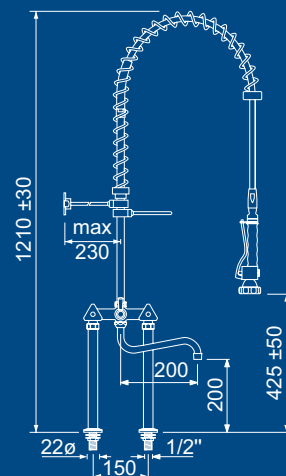
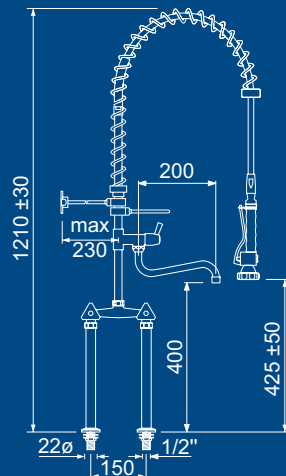
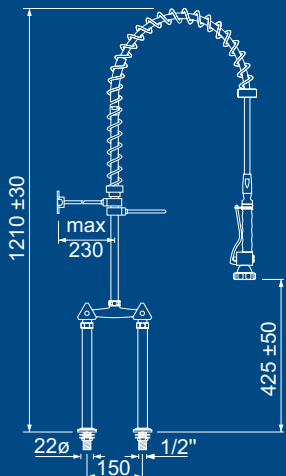


part no.	upper part 1/2"
548811	tap head
548826	ceramic head



part no.	upper part 1/2"
548814	tap head
548829	ceramic head

flow rate spray gun 16l/min. at 3 bar
 flow rate swivel spout 44l/min. at 3 bar



wall-mounted with bridge mixer tap

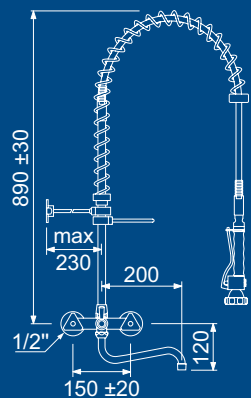
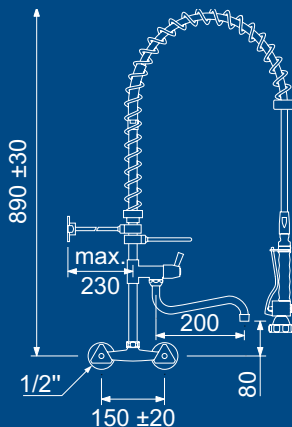
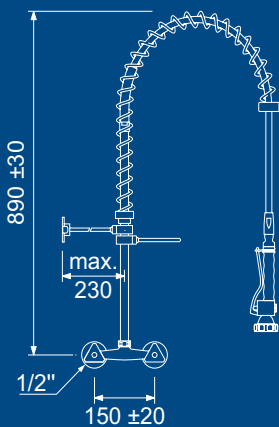


part no.	upper part 1/2"
548808	tap head
548823	ceramic head

part no.	upper part 1/2"
548809	tap head
548824	ceramic head

part no.	upper part 1/2"
548812	tap head
548827	ceramic head

flow rate spray gun 16l/min. at 3 bar
 flow rate swivel spout 44l/min. at 3 bar



with pillar tap

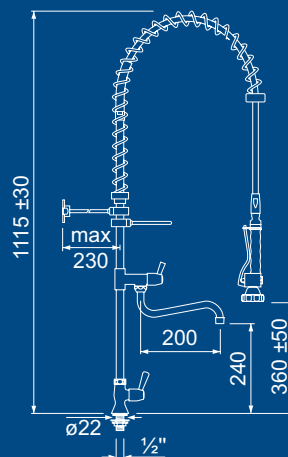
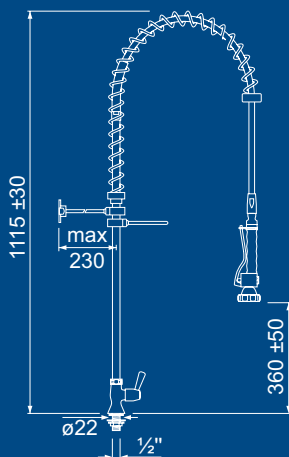


part no. upper part 1/2"
548902 ceramic head



part no. upper part 1/2"
548903 ceramic head

flow rate spray gun 16l/min. at 3 bar
flow rate swivel spout 26l/min. at 3 bar



with monobloc tap

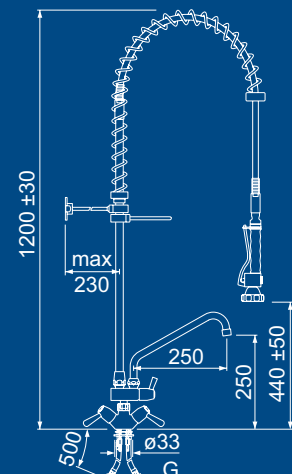
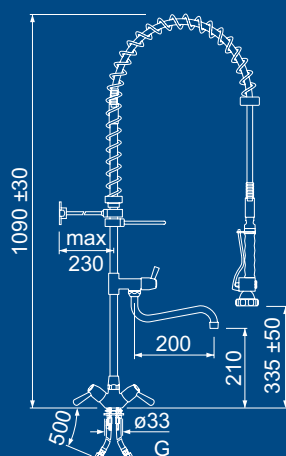
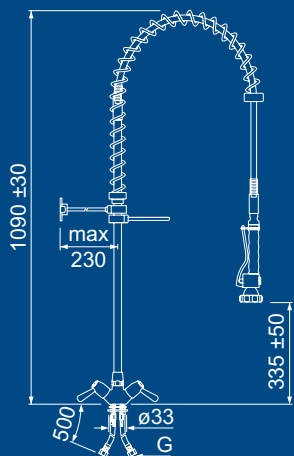


part no.	upper part 1/2"	G
548904	ceramic head	3/8"
548906	ceramic head	1/2"

part no.	upper part 1/2"	G
548905	ceramic head	3/8"
548907	ceramic head	1/2"

part no.	upper part 1/2"	G
542522	ceramic head	3/8"
545523	ceramic head	1/2"

flow rate spray gun 16l/min. at 3 bar
 flow rate swivel spout 36l/min. at 3 bar



with bridge mixer tap



part no.	upper part 1/2"	D(mm)
548914	ceramic head	155
545107	ceramic head	180

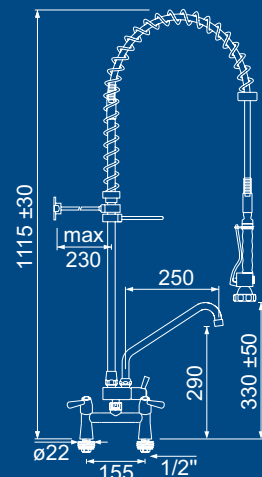
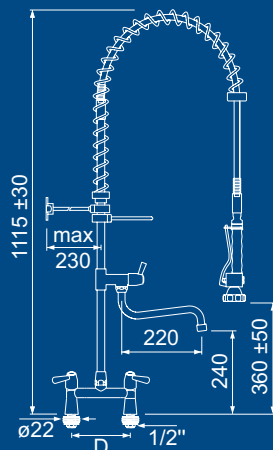
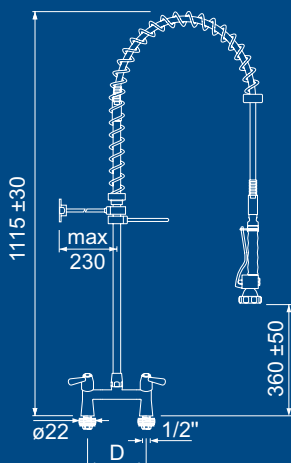


part no.	upper part 1/2"	D(mm)
548915	ceramic head	155
545108	ceramic head	180



part no.	upper part 1/2"	D(mm)
542248	ceramic head	155

flow rate spray gun 16l/min. at 3 bar
 flow rate swivel spout 55l/min. at 3 bar



with bridge mixer tap (on columns)



part no. 548916 upper part 1/2" ceramic head

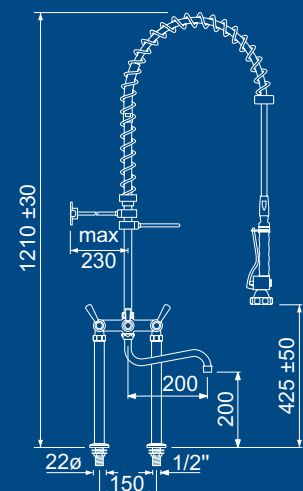
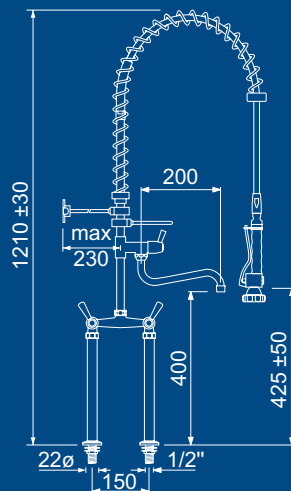
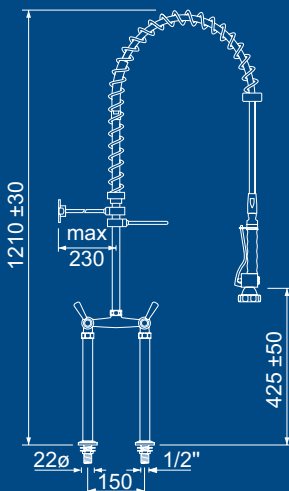


part no. 548917 upper part 1/2" ceramic head



part no. 548920 upper part 1/2" ceramic head

flow rate spray gun 16l/min. at 3 bar
 flow rate swivel spout 44l/min. at 3 bar



wall-mounted with bridge mixer tap



part no. upper part 1/2"
548918 ceramic head

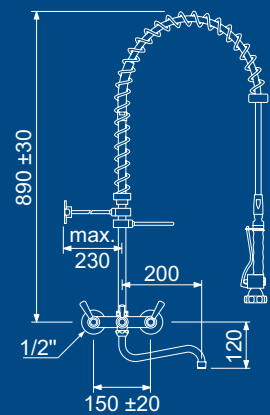
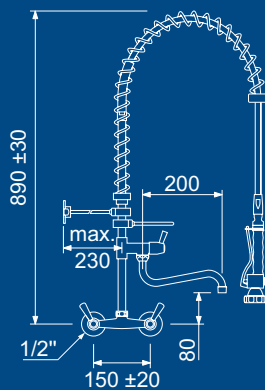
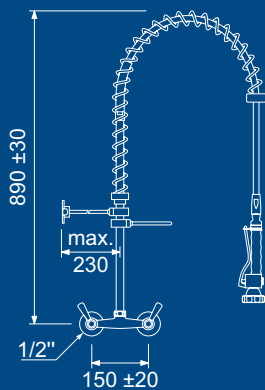


part no. upper part 1/2"
548930 ceramic head



part no. upper part 1/2"
548921 ceramic head

flow rate spray gun 16l/min. at 3 bar
 flow rate swivel spout 44l/min. at 3 bar



with single lever monobloc tap



cartridge
ø 40mm

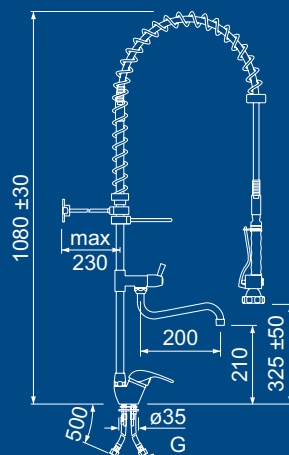
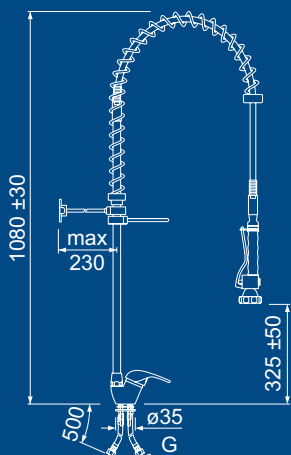
part no.	G
548830	3/8"
548831	1/2"



cartridge
ø 40mm

part no.	G
548832	3/8"
548833	1/2"

flow rate spray gun 16l/min. at 3 bar
flow rate swivel spout 25l/min. at 3 bar





cartridge
ø 40mm

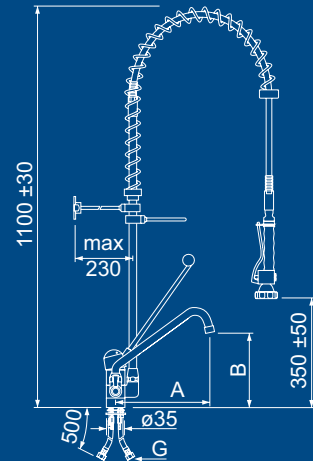
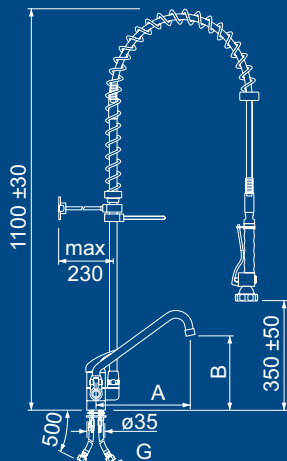
part no.	G	A(mm)	B(mm)
545114	3/8"	200	160
545116	3/8"	250	200
545094	3/8"	300	250
545115	1/2"	200	160
545117	1/2"	250	200
545095	1/2"	300	250



cartridge
ø 40mm

part no.	G	A(mm)	B(mm)
545096	3/8"	200	160
545098	3/8"	250	200
545092	3/8"	300	250
545099	1/2"	200	160
545104	1/2"	250	200
545093	1/2"	300	250

flow rate spray gun 16l/min. at 3 bar
flow rate swivel spout 26l/min. at 3 bar



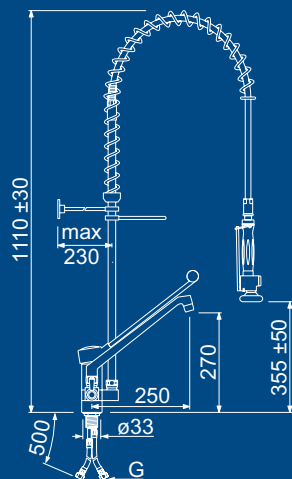
with single lever monobloc tap



cartridge
ø 47mm

part no.	G
547343	3/8"
547344	1/2"

flow rate spray gun 16l/min. at 3 bar
flow rate swivel spout 42l/min. at 3 bar



short type with single lever monobloc tap



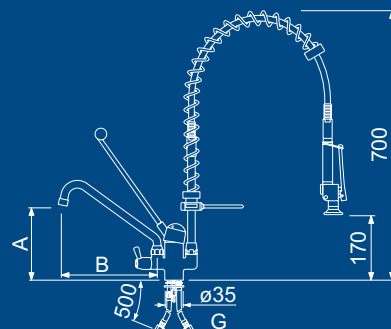
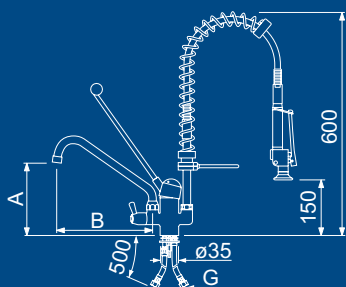
part no.	G	A (mm)	B (mm)
545080	3/8"	160	200
545081	3/8"	190	250
545082	3/8"	230	300
545083	1/2"	160	200
545084	1/2"	190	250
545085	1/2"	230	300

cartridge
ø 40mm

flow rate spray gun 16l/min. at 3 bar
flow rate swivel spout 26l/min. at 3 bar



part no.	G	A (mm)	B (mm)
545086	3/8"	160	200
545087	3/8"	190	250
545088	3/8"	230	300
545089	1/2"	160	200
545090	1/2"	190	250
545091	1/2"	230	300



short type with single lever monobloc tap



cartridge
ø 35mm

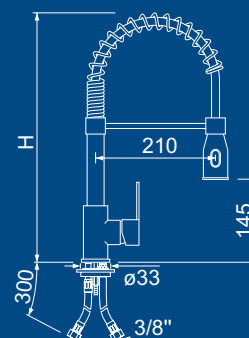
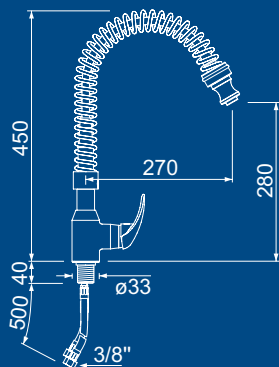
part no.	connection
547537	3/8"



cartridge
ø 35mm

part no.	H(mm)	connection
591004	440	3/8"
591005	700	3/8"

flow rate spray gun 16l/min. at 3 bar
flow rate swivel spout 26l/min. at 3 bar



with single lever bridge mixer tap

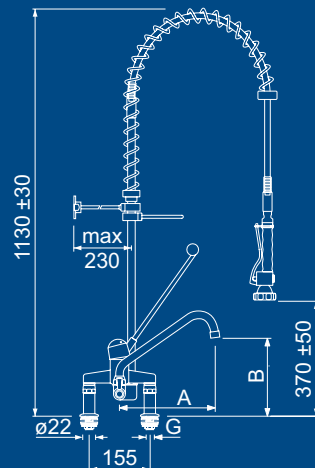
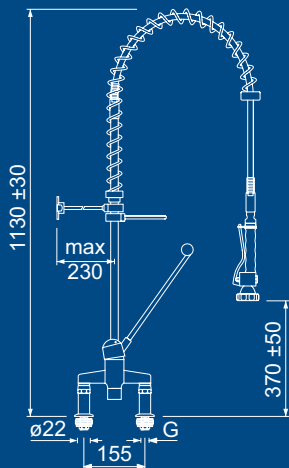


part no.	G
549829	3/4"
549798	1/2"



part no.	G	A(mm)	B(mm)
549799	3/4"	200	180
549807	3/4"	250	210
549818	3/4"	300	260
549796	1/2"	200	180
549492	1/2"	250	210
549797	1/2"	300	260

flow rate spray gun 16l/min. at 3 bar
 flow rate swivel spout 26l/min. at 3 bar



with single lever bridge mixer tap



cartridge
ø 47mm

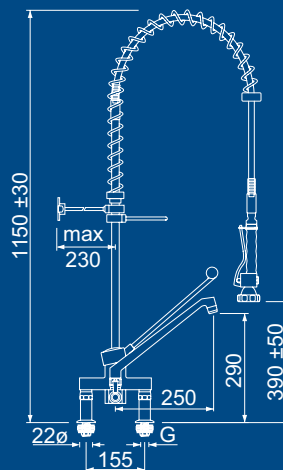
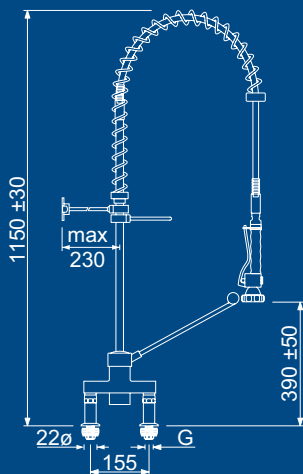
part no.	G
548932	1/2"
548931	3/4"



cartridge
ø 47mm

part no.	G
548925	1/2"
548924	3/4"

flow rate spray gun 16l/min. at 3 bar
flow rate swivel spout 42l/min. at 3 bar



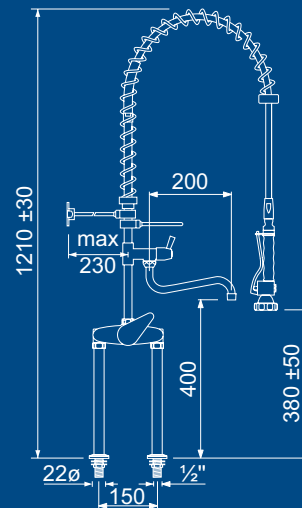
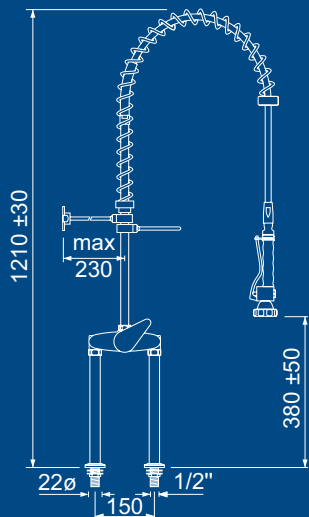


part no.	connection
548840	1/2"



part no.	connection
548841	1/2"

flow rate spray gun 16l/min. at 3 bar
 flow rate swivel spout 26l/min. at 3 bar



wall-mounted with single lever bridge mixer tap



cartridge
ø 40mm

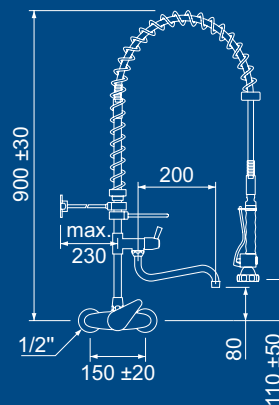
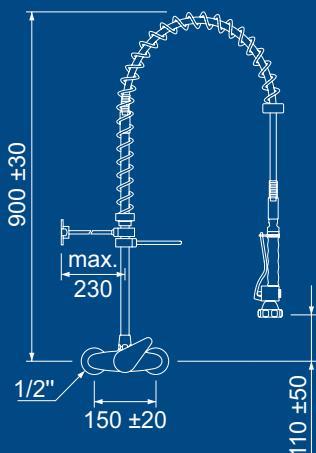
part no.	connection
548838	1/2"



cartridge
ø 40mm

part no.	connection
548839	1/2"

flow rate spray gun 16l/min. at 3 bar
flow rate swivel spout 26l/min. at 3 bar



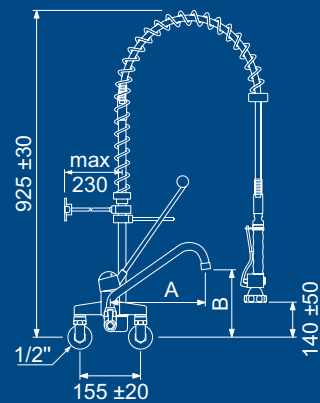
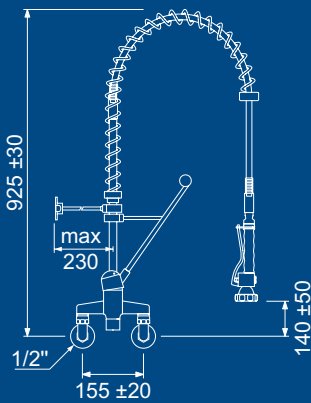


part no.	connection
549886	1/2"



part no.	connection	A(mm)	B(mm)
549884	1/2"	200	150
549387	1/2"	250	180
549885	1/2"	300	225

flow rate spray gun 16l/min. at 3 bar
 flow rate swivel spout 26l/min. at 3 bar



wall-mounted with single lever bridge mixer tap



cartridge
ø 47mm

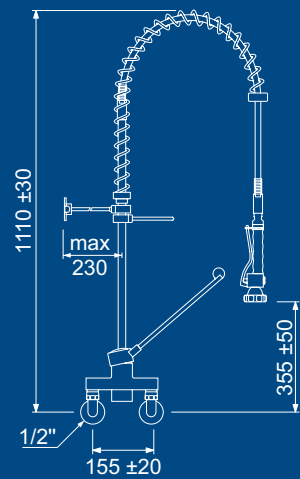
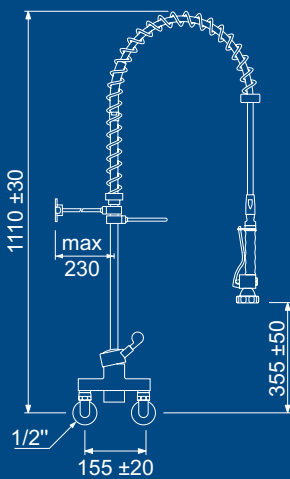
part no.	connection
548935	1/2"



cartridge
ø 47mm

part no.	connection
548936	1/2"

flow rate spray gun 16l/min. at 3 bar





cartridge
ø 47mm

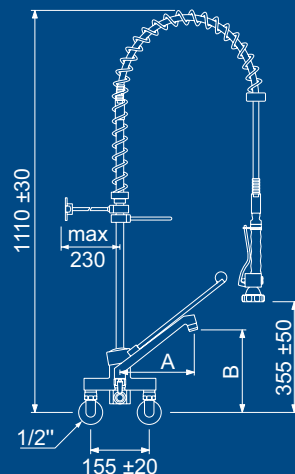
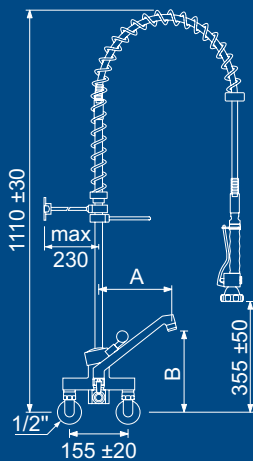
part no.	connection	A(mm)	B(mm)
548937	1/2"	200	215
548938	1/2"	250	225



cartridge
ø 47mm

part no.	connection	A(mm)	B(mm)
548939	1/2"	200	215
548940	1/2"	250	225

flow rate spray gun 16l/min. at 3 bar
flow rate swivel spout 42l/min. at 3 bar



Water taps CLASSIC



installation
example



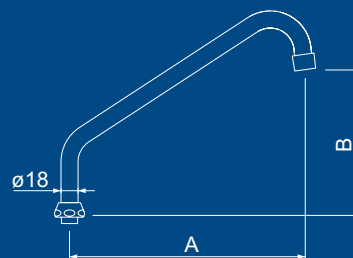
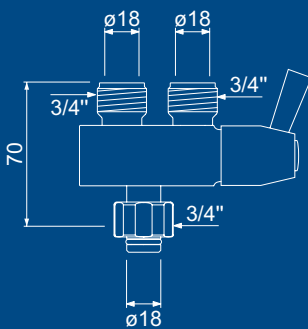
HU-spout

part no.	A (mm)	B (mm)
540191	200	130
540192	250	160
540193	300	190



in-between swivel
spout

part no.
547983



pillar tap



part no.	upper part 1/2"	A (mm)	B (mm)
540332	tap head	155	195
540333	tap head	200	250
547351	tap head	250	260
547350	ceramic head	155	195
547352	ceramic head	200	250
547353	ceramic head	250	260

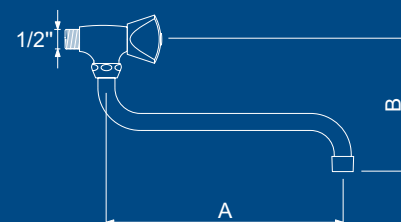
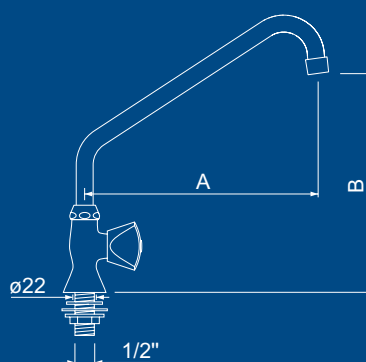
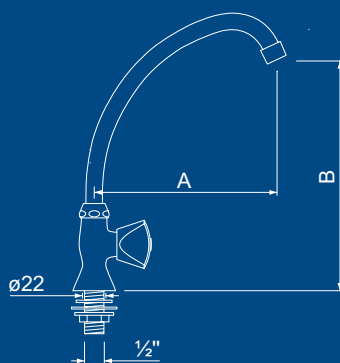
part no.	upper part 1/2"	A (mm)	B (mm)
548095	tap head	200	170
548096	tap head	250	205
548097	tap head	300	235
548098	ceramic head	200	170
548099	ceramic head	250	205
548127	ceramic head	300	235

wall-mounted swivel tap

flow rate 32l/min. at 3 bar



part no.	upper part 1/2"	A (mm)	B (mm)
540176	tap head	200	160
540177	tap head	250	160
540178	tap head	300	160
540380	ceramic head	200	160
540381	ceramic head	250	160
540382	ceramic head	300	160



monobloc tap

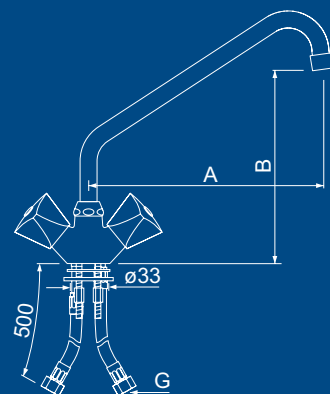
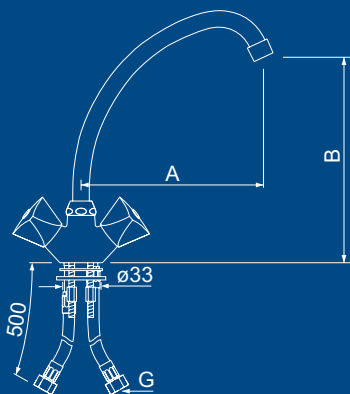


flow rate 33l/min. at 3 bar



part no.	upper part 1/2"	A (mm)	B (mm)	G
540339	tap head	155	190	3/8"
540168	tap head	200	245	3/8"
540334	tap head	250	255	3/8"
540383	ceramic head	155	190	3/8"
540384	ceramic head	200	245	3/8"
540385	ceramic head	250	255	3/8"
547820	tap head	155	190	1/2"
547821	tap head	200	245	1/2"
547822	tap head	250	255	1/2"
548023	ceramic head	155	190	1/2"
548024	ceramic head	200	245	1/2"
548025	ceramic head	250	255	1/2"

part no.	upper part 1/2"	A (mm)	B (mm)	G
540346	tap head	200	170	3/8"
540347	tap head	250	200	3/8"
540348	tap head	300	230	3/8"
548035	ceramic head	200	170	3/8"
548036	ceramic head	250	200	3/8"
548037	ceramic head	300	230	3/8"
547832	tap head	200	170	1/2"
547833	tap head	250	200	1/2"
547834	tap head	300	230	1/2"
548020	ceramic head	200	170	1/2"
548021	ceramic head	250	200	1/2"
548022	ceramic head	300	230	1/2"



column 400mm

part no.	upper part 1/2"	A (mm)	B (mm)
547384	tap head	200	580
547385	tap head	250	610
547386	tap head	300	640
547387	ceramic head	200	580
547388	ceramic head	250	610
547389	ceramic head	300	640

column 300mm

part no.	upper part 1/2"	A (mm)	B (mm)
547374	tap head	200	480
547375	tap head	250	510
547376	tap head	300	540
547377	ceramic head	200	480
547378	ceramic head	250	510
547379	ceramic head	300	540

column 200mm

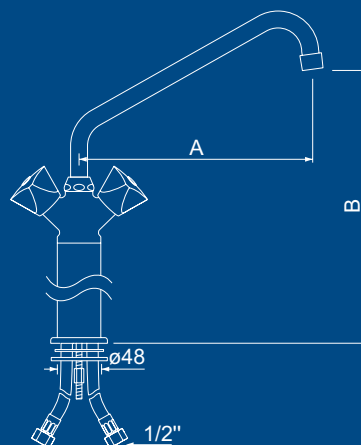
part no.	upper part 1/2"	A (mm)	B (mm)
547681	tap head	200	380
547682	tap head	250	410
547683	tap head	300	440
547768	ceramic head	200	380
547769	ceramic head	250	410
547770	ceramic head	300	440

column 100mm

part no.	upper part 1/2"	A (mm)	B (mm)
547672	tap head	200	280
547673	tap head	250	310
547674	tap head	300	340
547675	ceramic head	200	270
547676	ceramic head	250	300
547677	ceramic head	300	330



flow rate 33l/min. at 3 bar

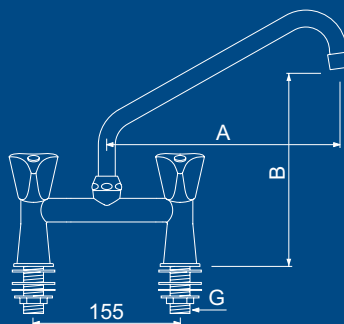


bridge mixer tap

part no.	upper part 1/2"	A (mm)	B (mm)	C (mm)	G
548216	tap head	200	210	155	3/4"
548217	tap head	250	240	155	3/4"
548218	tap head	300	270	155	3/4"
548275	ceramic head	200	210	155	3/4"
548276	ceramic head	250	240	155	3/4"
548277	ceramic head	300	270	155	3/4"
547844	tap head	200	210	155	1/2"
547845	tap head	250	240	155	1/2"
547846	tap head	300	270	155	1/2"
545157	tap head	200	210	180	1/2"
545065	tap head	250	240	180	1/2"
545066	tap head	300	270	180	1/2"
548055	ceramic head	200	210	155	1/2"
548056	ceramic head	250	240	155	1/2"
548057	ceramic head	300	270	155	1/2"
545158	ceramic head	200	210	180	1/2"
545159	ceramic head	250	240	180	1/2"
545160	ceramic head	300	270	180	1/2"



flow rate 52l/min. at 3 bar



wall-mounted mixer tap

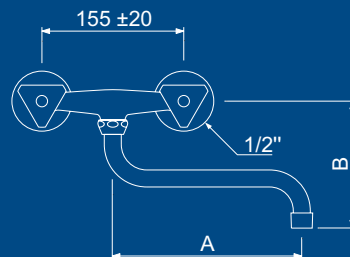
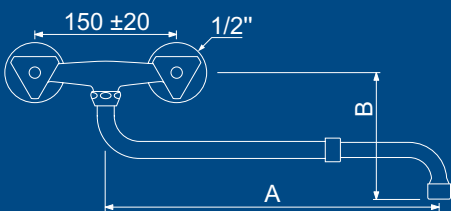


flow rate 44l/min. at 3 bar



part no.	upper part 1/2"	A (mm)	B (mm)
540336	tap head	200 - 300	120
540337	tap head	280 - 480	120
540338	tap head	350 - 600	120
540392	ceramic head	200 - 300	120
540393	ceramic head	280 - 480	120
540394	ceramic head	350 - 600	120

part no.	upper part 1/2"	A (mm)	B (mm)
540173	tap head	200	120
540174	tap head	250	120
540175	tap head	300	120
540389	ceramic head	200	120
540390	ceramic head	250	120
540391	ceramic head	300	120

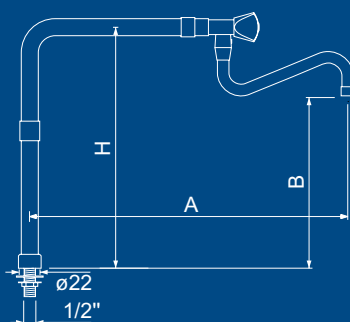


pillar tap



part no.	upper part 1/2"	A (mm)	B (mm)	H (mm)
548580	tap head	470 + 200	410	530
548581	tap head	470 + 250	410	530
548582	tap head	470 + 300	410	530
548583	ceramic head	470 + 200	410	530
548584	ceramic head	470 + 250	410	530
548585	ceramic head	470 + 300	410	530

flow rate 32l/min. at 3 bar



monobloc tap



part no.	upper part 1/2"	A (mm)	B (mm)
547818	ceramic head	155	195
547819	ceramic head	200	250
547852	ceramic head	250	260



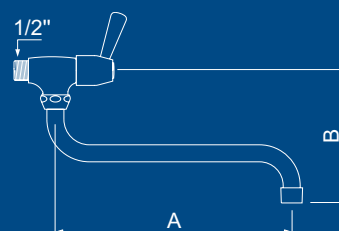
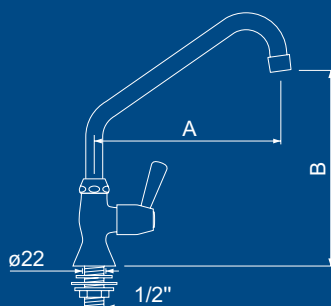
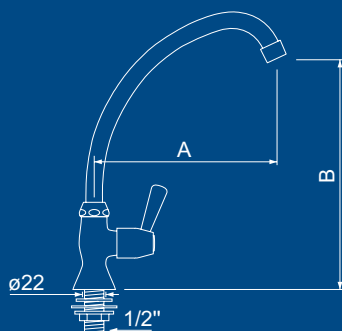
part no.	upper part 1/2"	A (mm)	B (mm)
548213	ceramic head	155	195
548214	ceramic head	200	250
548215	ceramic head	250	260

wall-mounted swivel tap

flow rate 32l/min. at 3 bar



part no.	upper part 1/2"	A (mm)	B (mm)
547809	ceramic head	200	160
547810	ceramic head	250	160
547811	ceramic head	300	160



monobloc tap

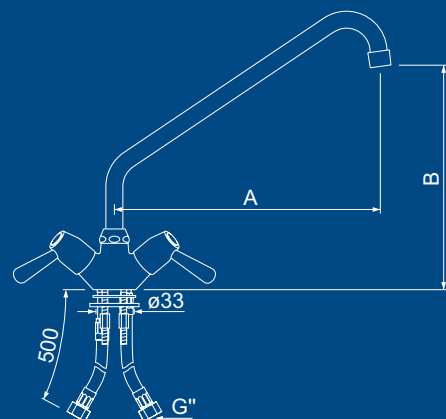
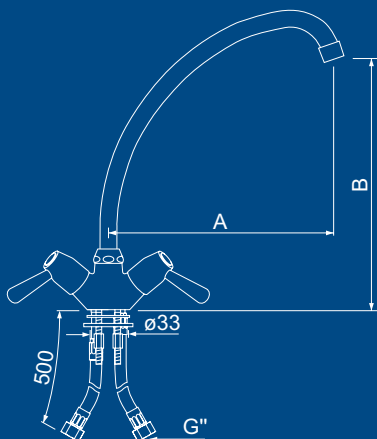


flow rate 33l/min. at 3 bar



part no.	upper part 1/2"	A (mm)	B (mm)	G
548026	ceramic head	155	190	3/8"
548027	ceramic head	200	245	3/8"
548028	ceramic head	250	255	3/8"
547829	ceramic head	155	190	1/2"
547830	ceramic head	200	245	1/2"
547831	ceramic head	250	255	1/2"

part no.	upper part 1/2"	A (mm)	B (mm)	G
548029	ceramic head	200	170	3/8"
548030	ceramic head	250	200	3/8"
548031	ceramic head	300	230	3/8"
547841	ceramic head	200	170	1/2"
547842	ceramic head	250	200	1/2"
547843	ceramic head	300	230	1/2"



column 400mm

part no.	upper part 1/2"	A (mm)	B (mm)
547390	ceramic head	200	580
547391	ceramic head	250	610
547392	ceramic head	300	640

column 300mm

part no.	upper part 1/2"	A (mm)	B (mm)
547381	ceramic head	200	480
547382	ceramic head	250	510
547383	ceramic head	300	540

column 200mm

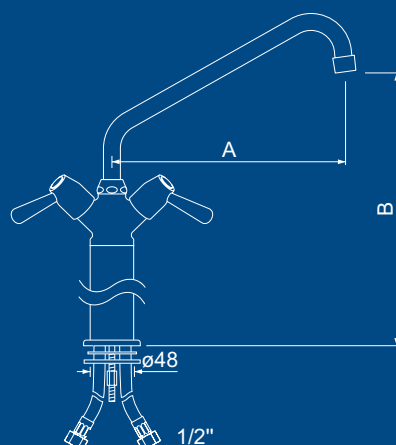
part no.	upper part 1/2"	A (mm)	B (mm)
547775	ceramic head	200	380
547776	ceramic head	250	410
547777	ceramic head	300	440

column 100mm

part no.	upper part 1/2"	A (mm)	B (mm)
547678	ceramic head	200	270
547679	ceramic head	250	300
547680	ceramic head	300	330



flow rate 33l/min. at 3 bar



Water taps CLASSIC

wall-mounted bridge mixer tap



flow rate 44l/min. at 3 bar



part no.	upper part 1/2"	A (mm)	B (mm)
548080	ceramic head	200 - 300	120
548081	ceramic head	280 - 480	120
548082	ceramic head	350 - 600	120

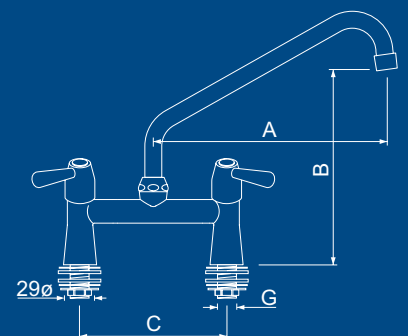
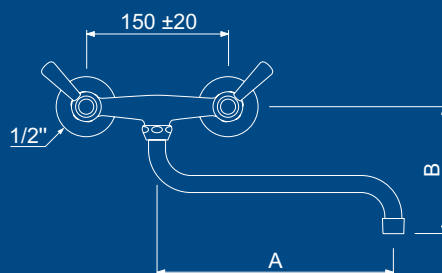
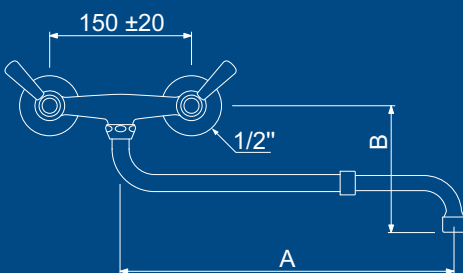
part no.	upper part 1/2"	A (mm)	B (mm)
547865	ceramic head	200	120
547866	ceramic head	250	120
547867	ceramic head	300	120

bridge mixer tap

part no.	upper part 1/2"	A (mm)	B (mm)	C (mm)	G
547853	ceramic head	200	210	155	1/2"
547854	ceramic head	250	240	155	1/2"
547855	ceramic head	300	270	155	1/2"
545161	ceramic head	200	210	180	1/2"
545162	ceramic head	250	240	180	1/2"
545163	ceramic head	300	270	180	1/2"
548278	ceramic head	200	210	155	3/4"
548279	ceramic head	250	240	155	3/4"
548280	ceramic head	300	270	155	3/4"



flow rate 52l/min. at 3 bar

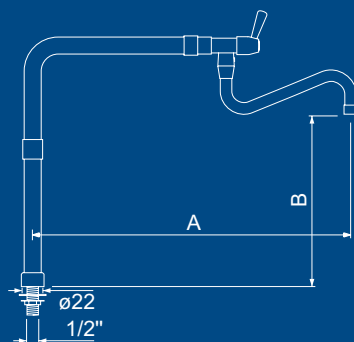


pillar tap



part no.	upper part 1/2"	A (mm)	B (mm)
548586	ceramic head	470 + 200	530
548587	ceramic head	470 + 250	530
548588	ceramic head	470 + 300	530

flow rate 32l/min. at 3 bar



single lever monobloc tap



part no.	G
540167	3/8"
548032	1/2"

cartridge
ø 40mm

flow rate 26l/min. at 3 bar



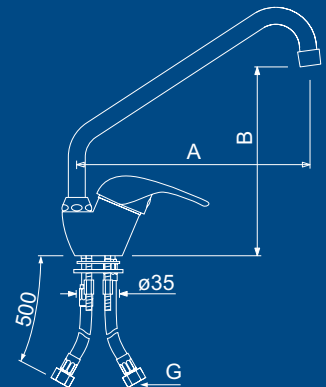
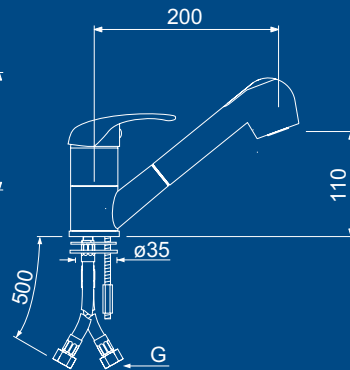
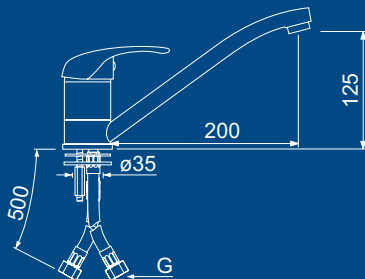
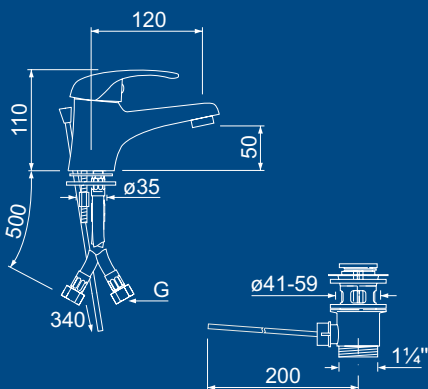
part no.	G
540160	3/8"
548033	1/2"



part no.	G
540162	3/8"
548039	1/2"



part no.	G	A (mm)	B (mm)
540377	3/8"	200	190
540378	3/8"	250	215
540379	3/8"	300	240
548040	1/2"	200	190
548041	1/2"	250	215
548042	1/2"	300	240





part no.	G
540159	3/8"
548034	1/2"

cartridge
ø 40mm

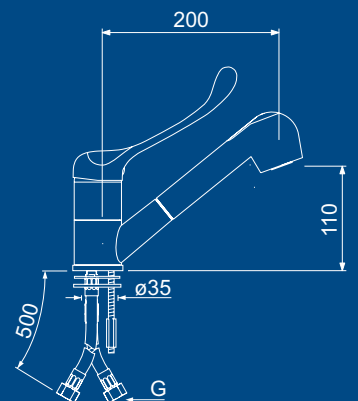
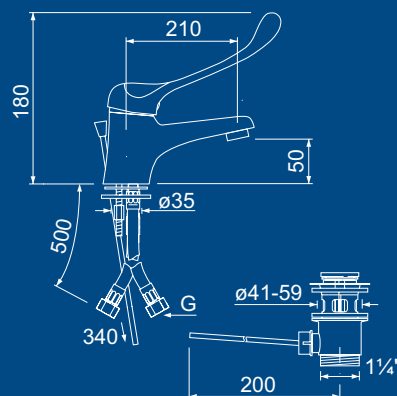
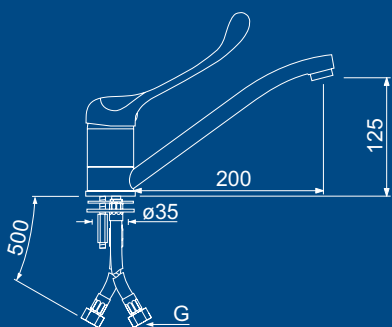
flow rate 26l/min. at 3 bar



part no.	G
549232	3/8"
549234	1/2"



part no.	G
540161	3/8"
548038	1/2"



Water taps CLASSIC

single lever monobloc tap

flow rate 26l/min. at 3 bar

cartridge
ø 40mm

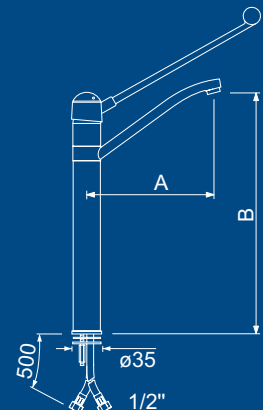
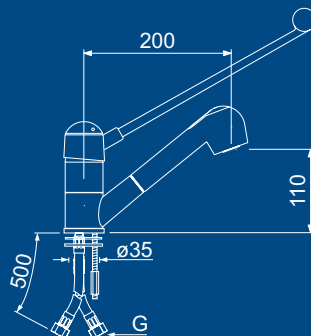
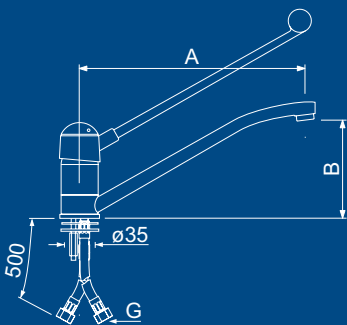
part no.	A(mm)	B(mm)	G
549236	230	125	3/8"
548686	300	135	3/8"
549237	230	125	1/2"
548687	300	135	1/2"



part no.	G
549240	3/8"
549241	1/2"



part no.	A(mm)	B(mm)	connection
548944	230	425	1/2"
548945	300	435	1/2"



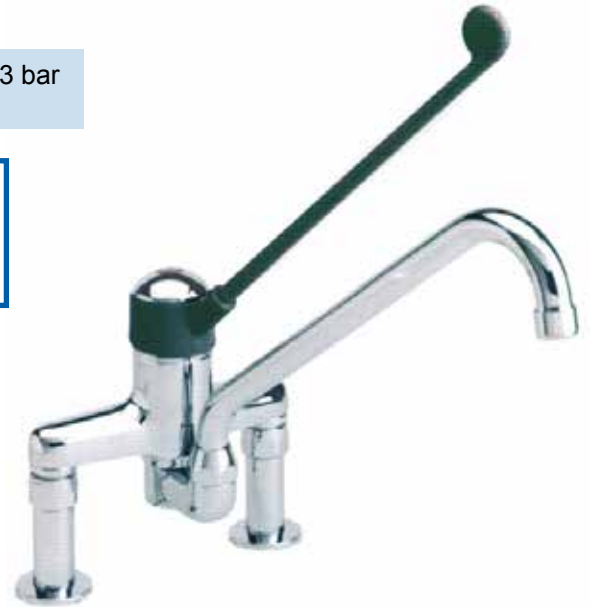


single lever bridge mixer taps

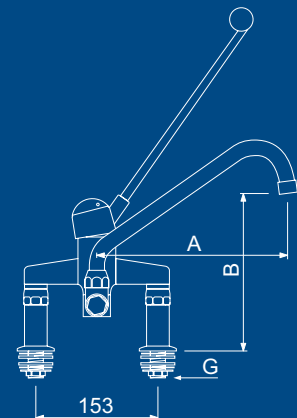
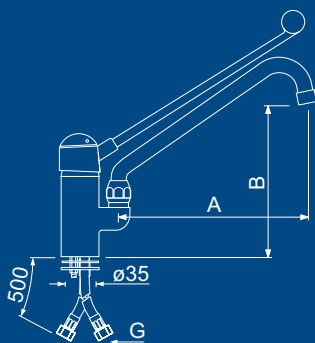
flow rate 26l/min. at 3 bar

cartridge
ø 40mm

part no.	G	A (mm)	B (mm)
545074	3/8"	200	175
545076	3/8"	250	200
545078	3/8"	300	250
545075	1/2"	200	175
545077	1/2"	250	200
545079	1/2"	300	250



part no.	G	A (mm)	B (mm)
549481	3/4"	300	250
549487	3/4"	200	175
549488	3/4"	250	200
549479	1/2"	200	175
549480	1/2"	250	200
549489	1/2"	300	250



Water taps CLASSIC

wall-mounted single lever bridge mixer tap



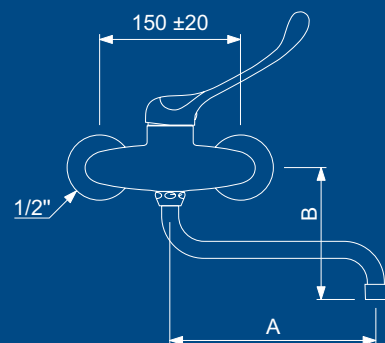
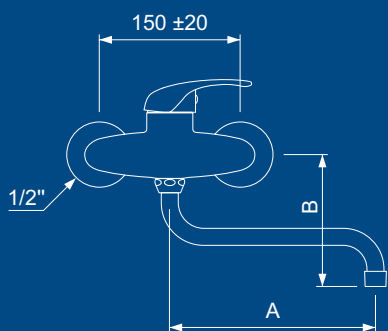
part no.	A (mm)	B (mm)
547868	200	120
547869	250	120
547870	300	120

cartridge
ø 40mm

flow rate 26l/min. at 3 bar



part no.	A (mm)	B (mm)
540165	200	120
540166	250	120
547871	300	120





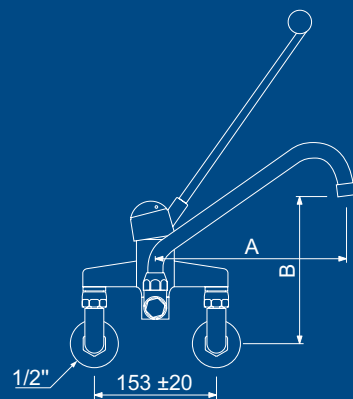
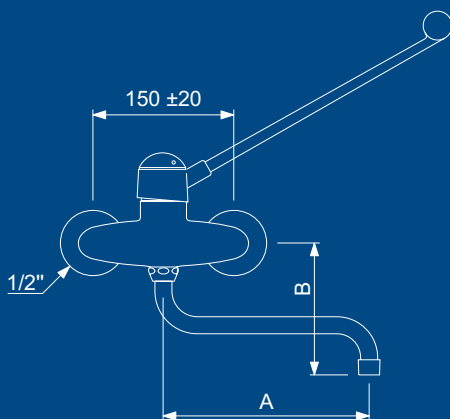
part no.	A (mm)	B (mm)
548674	200	120
548675	250	120
548676	300	120

**cartridge
ø 40mm**

flow rate 26l/min. at 3 bar



part no.	A (mm)	B (mm)
549388	200	165
549389	250	190
549390	300	240



Water taps CLASSIC

single lever bridge mixer tap



cartridge
ø 47mm

part no.	G	A (mm)	B (mm)
548073	1/2"	200	250
548074	1/2"	250	290
548076	3/4"	200	250
548077	3/4"	250	290



part no.	G	A (mm)	B (mm)
547773	1/2"	200	250
547774	1/2"	250	290
548078	3/4"	200	250
548079	3/4"	250	290

flow rate 42/min at 3 bar

wall-mounted single lever bridge mixer tap



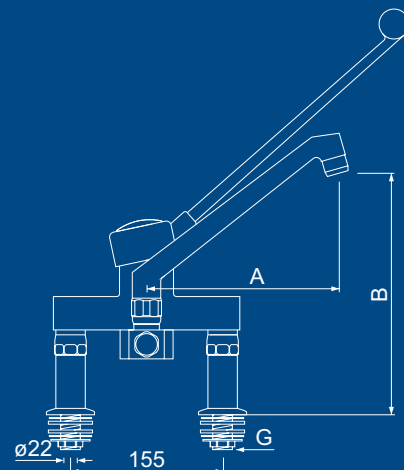
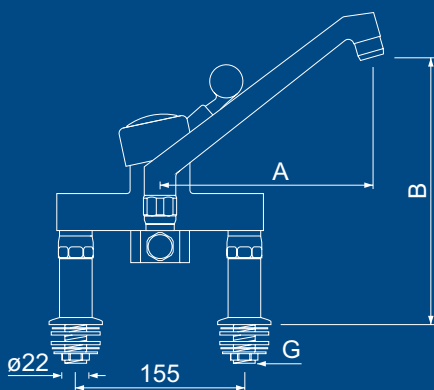
cartridge
ø 47mm

part no.	G	A (mm)	B (mm)
548223	1/2"	200	200
548224	1/2"	250	240



part no.	G	A (mm)	B (mm)
548225	1/2"	200	200
548226	1/2"	250	240

flow rate 42/min at 3 bar





GEV Großküchen-Ersatzteil-Vertrieb GmbH

Gadastr. 4
85232 Bergkirchen
Germany

www.gev-online.com

Tel.: +49 (0)8142 6522-50

Fax: +49 (0)8142 6522-629

info@gev-online.com



GEV Catering Spares Ltd

Premier House
Harlaxton Road
Grantham, NG31 7JX
United Kingdom

www.gev-online.co.uk

Tel.: +44 (0)1476 583922

Fax: +44 (0)1476 514640

info@gev-online.co.uk



P021101301

We accept no liability for the accuracy of technical descriptions and illustrations in our catalogue and we reserve the right for any printing errors.