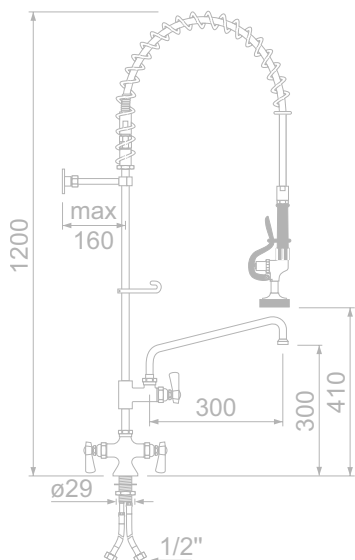


# Pre-rinse units and water taps



**AMERICAN**  
*style*

2016 EDITION

# PREMIUM AMERICAN *style*

GEV AMERICAN Style is a range of high-quality pre-rinse units in typical US designs.

These robust and durable products can easily withstand the busy conditions in professional kitchens and are suitable even for those with tight budgets.



The majority of our products is WRAS and NSF certified.



You will find further models as well as details of prices, availability and spare parts in our Webshop [www.gev-online.co.uk](http://www.gev-online.co.uk) [www.gev-online.com](http://www.gev-online.com)

with connecting adapter

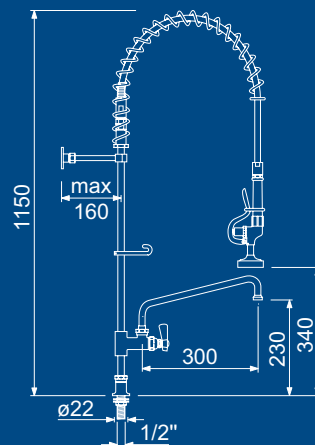
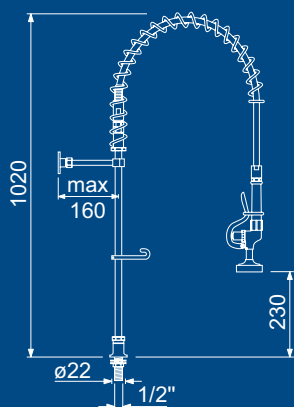


flow rate spray gun 12l/min. at 4 bar  
flow rate swivel spout 16l/min. at 4 bar

GEV No.  
**549876**



GEV No.  
**549877**



# Pre-rinse units PREMIUM AMERICAN Style

with pillar tap

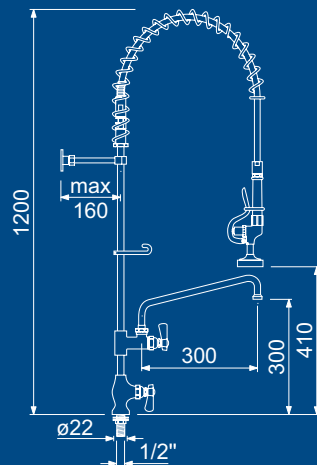
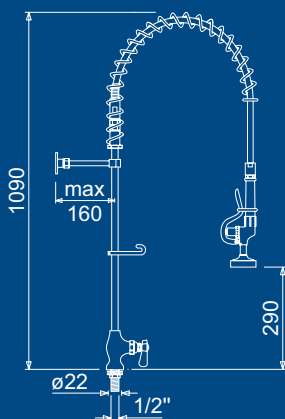


GEV No.  
**547300**

flow rate spray gun 12l/min. at 4 bar  
flow rate swivel spout 16l/min. at 4 bar



GEV No.  
**549874**



# Pre-rinse units PREMIUM AMERICAN Style

with monobloc tap

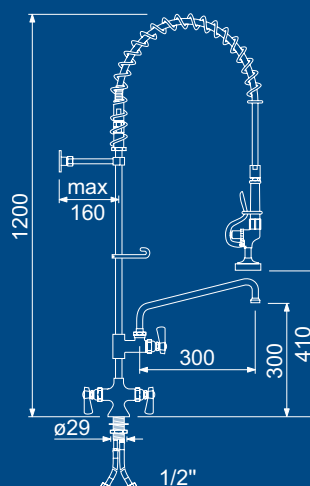
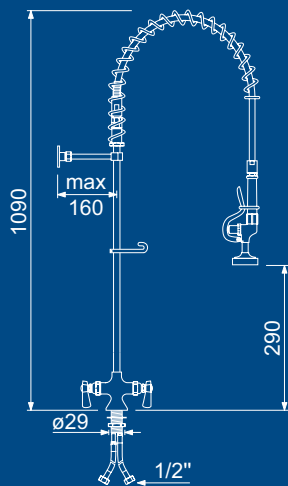


GEV No.  
**547301**

flow rate spray gun 12l/min. at 4 bar  
flow rate swivel spout 20l/min. at 4 bar



GEV No.  
**549873**



# Pre-rinse units PREMIUM AMERICAN Style

with bridge mixer tap



flow rate spray gun 12l/min. at 4 bar  
flow rate swivel spout 20l/min. at 4 bar

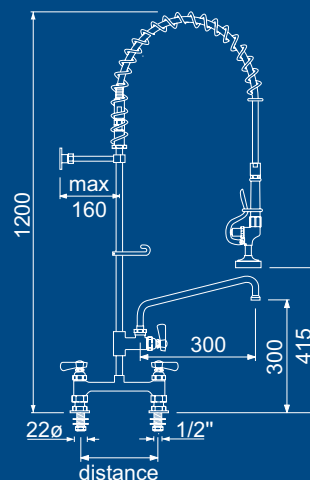
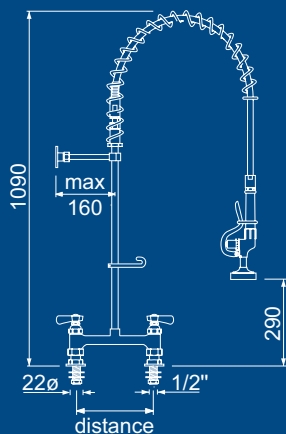
GEV No.	distance
547304	4" (102mm)
547305	6" (153mm)
549991*	7" (180mm)
547306	8" (203mm)

\* WRAS



GEV No.	distance
549878	4" (102mm)
549879	6" (153mm)
549992*	7" (180mm)
549880	8" (203mm)

\* WRAS



wall-mounted with monobloc tap

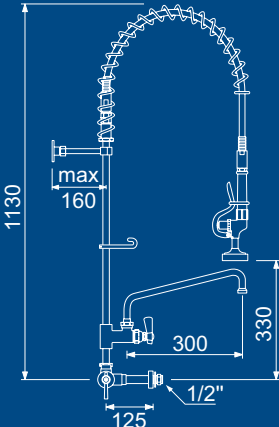
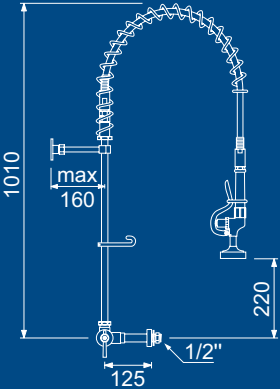


flow rate spray gun 12l/min. at 4 bar  
flow rate swivel spout 16l/min. at 4 bar

GEV No.  
**547302**



GEV No.  
**545930**





# Pre-rinse units PREMIUM AMERICAN Style

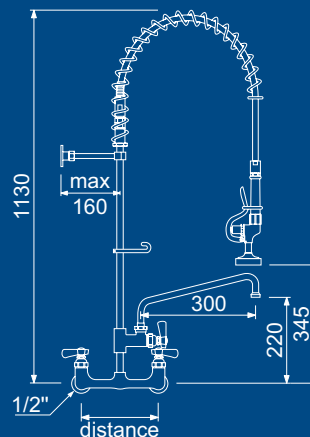
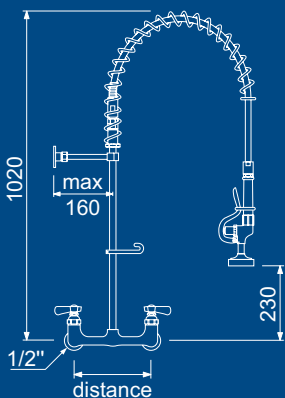
wall-mounted with bridge mixer tap



flow rate spray gun 12l/min. at 4 bar  
flow rate swivel spout 20l/min. at 4 bar

GEV No.	distance
545041	7" (180mm)
547303	8" (203mm)

GEV No.	distance
545042	7" (180mm)
549875	8" (203mm)





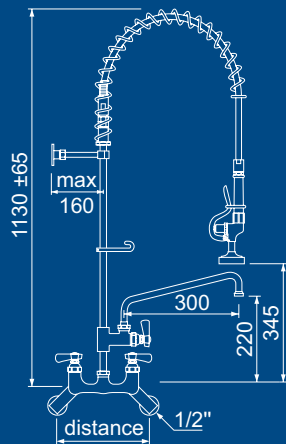
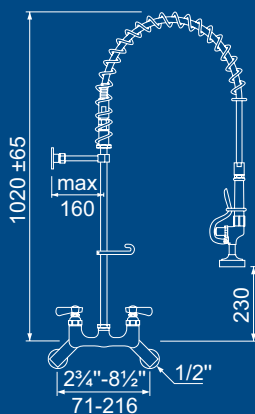
# Pre-rinse units PREMIUM AMERICAN Style



flow rate spray gun 12l/min. at 4 bar  
 flow rate swivel spout 20l/min. at 4 bar

GEV No.	distance
<b>545988</b>	2 3/4" - 8 1/2" (71 - 216mm)

GEV No.	distance
<b>545989</b>	2 3/4" - 8 1/2" (71 - 216mm)



# Pre-rinse units PREMIUM AMERICAN Style

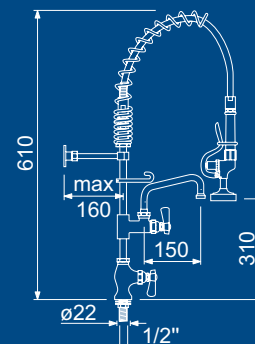
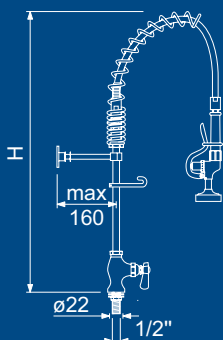
## short type with pillar tap



flow rate spray gun 12l/min. at 4 bar  
flow rate swivel spout 16l/min. at 4 bar

GEV No.	distance
<b>545931</b>	20" (515mm)
<b>545932</b>	24" (610mm)

GEV No.	distance
<b>545933</b>	24" (610mm)



## short type with monobloc tap

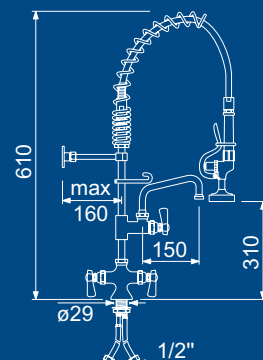
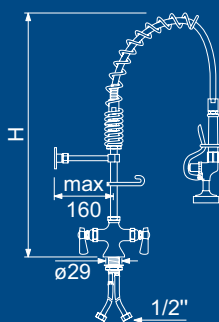


flow rate spray gun  
12l/min. at 4 bar  
flow rate swivel spout  
20l/min. at 4 bar

GEV No.	H / height
<b>545934</b>	20" (515mm)
<b>545935</b>	24" (610mm)



GEV No.	H / height
<b>545936</b>	24" (610mm)



# Pre-rinse units PREMIUM AMERICAN Style

## short type with bridge mixer tap

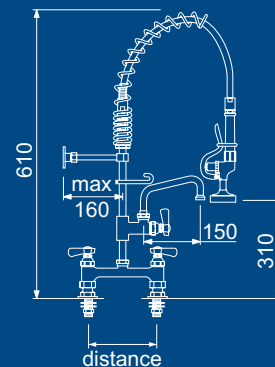
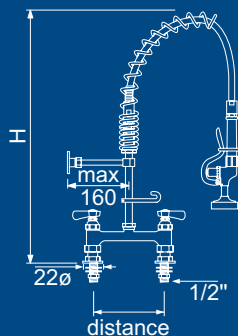


flow rate spray gun  
12l/min. at 4 bar  
flow rate swivel spout  
20l/min. at 4 bar



GEV No.	H / height	distance
<b>545937</b>	20" (515mm)	4" (102mm)
<b>545938</b>	20" (515mm)	6" (152mm)
<b>545939*</b>	20" (515mm)	7" (180mm)
<b>545940</b>	20" (515mm)	8" (203mm)
<b>545941</b>	24" (610mm)	4" (102mm)
<b>545942</b>	24" (610mm)	6" (152mm)
<b>545943*</b>	24" (610mm)	7" (180mm)
<b>545944</b>	24" (610mm)	8" (203mm)

GEV No.	H / height	distance
<b>545945</b>	24" (610mm)	4" (102mm)
<b>545946</b>	24" (610mm)	6" (152mm)
<b>545947*</b>	24" (610mm)	7" (180mm)
<b>545948</b>	24" (610mm)	8" (203mm)



## Hangman type with pillar tap

suitable swivel tap see page 42



**GEV No.**  
**545949**

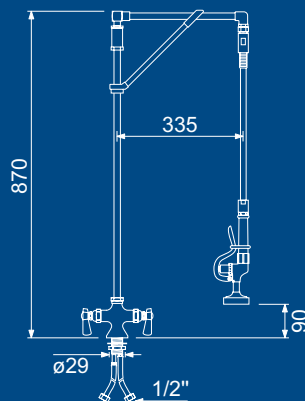
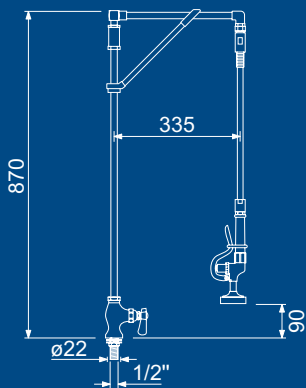
flow rate spray gun 12l/min. at 4 bar  
flow rate swivel spout 16l/min. at 4 bar

## Hangman type with monobloc tap

suitable swivel tap see page 42



**GEV No.**  
**545950**



## Hangman type with bridge mixer tap

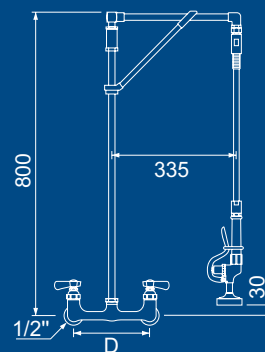
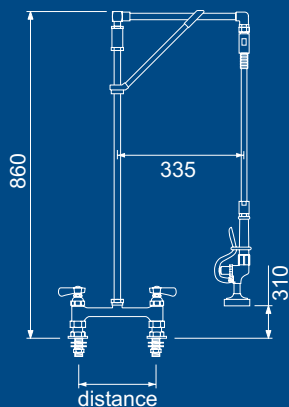
suitable swivel tap see page 42



GEV No.	distance
<b>545951</b>	4" (102mm)
<b>545952</b>	6" (152mm)
<b>545953</b>	7" (180mm)
<b>545954</b>	8" (203mm)

flow rate spray gun 12l/min. at 4 bar  
flow rate swivel spout 20l/min. at 4 bar

GEV No.	distance
<b>545915</b>	7" (180mm)
<b>545916</b>	8" (203mm)



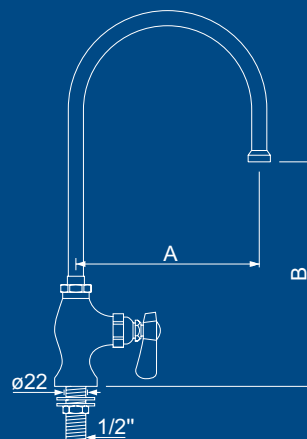
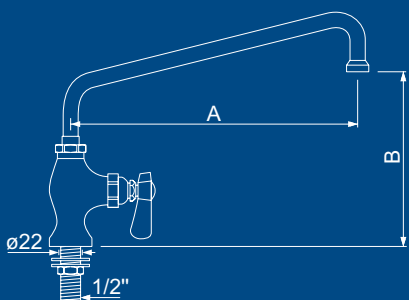
## pillar tap



GEV No.	A	B
549800	6" (152mm)	6" (152mm)
549801	8" (203mm)	6 1/2" (165mm)
549802	10" (254mm)	7" (180mm)
549803	12" (300mm)	7 7/10" (195mm)
549804	14" (350mm)	8 3/10" (210mm)
549805	16" (400mm)	8 7/10" (215mm)
549806	18" (450mm)	9 1/4" (235mm)



GEV No.	A	B
549808	6" (152mm)	6" (152mm)
549809	8" (203mm)	6 1/2" (165mm)
549810	10" (254mm)	7" (180mm)





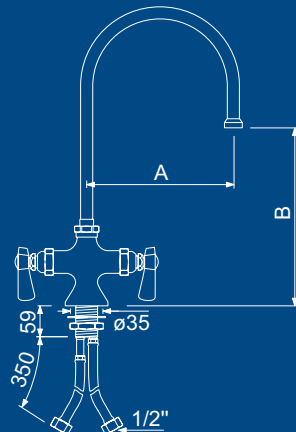
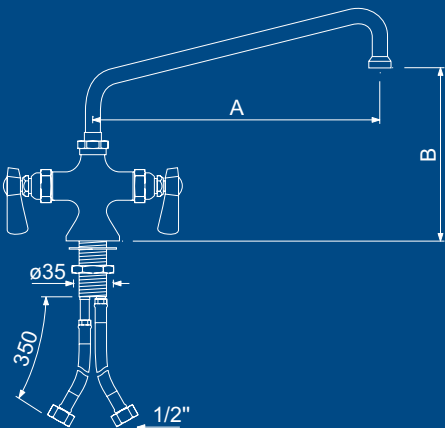
# Taps PREMIUM AMERICAN Style

## monobloc tap



GEV No.	A	B
549822	6" (152mm)	6" (152mm)
549823	8" (203mm)	6 1/2" (165mm)
549824	10" (254mm)	7" (180mm)
549825	12" (300mm)	7 7/10" (195mm)
549826	14" (350mm)	8 3/10" (210mm)
549827	16" (400mm)	8 7/10" (215mm)
549828	18" (450mm)	9 1/4" (235mm)

GEV No.	A	B
549830	6" (152mm)	6" (152mm)
549831	8" (203mm)	6 1/2" (165mm)
549832	10" (254mm)	7" (180mm)



## bridge mixer tap



distance 4" (102mm)

GEV No.	A	B
<b>549833</b>	6" (152mm)	6" (152mm)
<b>549834</b>	8" (203mm)	6 1/2" (165mm)
<b>549835</b>	10" (254mm)	7" (180mm)
<b>549836</b>	12" (300mm)	7 7/10" (195mm)
<b>549837</b>	14" (350mm)	8 3/10" (210mm)
<b>549838</b>	16" (400mm)	8 7/10" (215mm)
<b>549839</b>	18" (450mm)	9 1/4" (235mm)

distance 6" (152mm)

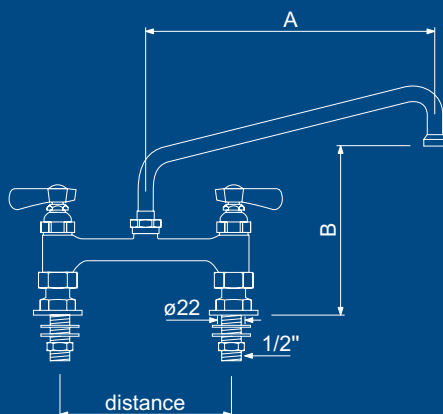
GEV No.	A	B
<b>549840</b>	6" (152mm)	6" (152mm)
<b>549841</b>	8" (203mm)	6 1/2" (165mm)
<b>549842</b>	10" (254mm)	7" (180mm)
<b>549843</b>	12" (300mm)	7 7/10" (195mm)
<b>549844</b>	14" (350mm)	8 3/10" (210mm)
<b>549845</b>	16" (400mm)	8 7/10" (215mm)
<b>549846</b>	18" (450mm)	9 1/4" (235mm)

distance 7" (180mm)

GEV No.	A	B
<b>549993</b>	6" (152mm)	6" (152mm)
<b>549994</b>	8" (203mm)	6 1/2" (165mm)
<b>549995</b>	10" (254mm)	7" (180mm)
<b>549996</b>	12" (300mm)	7 7/10" (195mm)
<b>549997</b>	14" (350mm)	8 3/10" (210mm)
<b>549998</b>	16" (400mm)	8 7/10" (215mm)
<b>549999</b>	18" (450mm)	9 1/4" (235mm)

distance 8" (203mm)

GEV No.	A	B
<b>549847</b>	6" (152mm)	6" (152mm)
<b>549848</b>	8" (203mm)	6 1/2" (165mm)
<b>549849</b>	10" (254mm)	7" (180mm)
<b>549850</b>	12" (300mm)	7 7/10" (195mm)
<b>549851</b>	14" (350mm)	8 3/10" (210mm)
<b>549852</b>	16" (400mm)	8 7/10" (215mm)
<b>549853</b>	18" (450mm)	9 1/4" (235mm)



## bridge mixer tap



distance 4" (102mm)

GEV No.	A	B
<b>549854</b>	6" (152mm)	6" (152mm)
<b>549855</b>	8" (203mm)	6 1/2" (165mm)
<b>549856</b>	10" (254mm)	7" (180mm)

distance 6" (152mm)

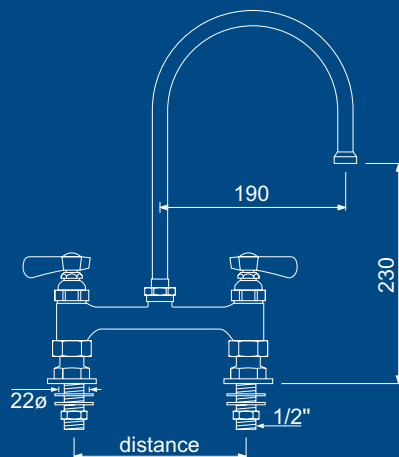
GEV No.	A	B
<b>549857</b>	6" (152mm)	6" (152mm)
<b>549858</b>	8" (203mm)	6 1/2" (165mm)
<b>549859</b>	10" (254mm)	7" (180mm)

distance 7" (180mm)

GEV No.	A	B
<b>545920</b>	6" (152mm)	6" (152mm)
<b>545921</b>	8" (203mm)	6 1/2" (165mm)
<b>545922</b>	10" (254mm)	7" (180mm)

distance 8" (203mm)

GEV No.	A	B
<b>549860</b>	6" (152mm)	6" (152mm)
<b>549861</b>	8" (203mm)	6 1/2" (165mm)
<b>549862</b>	10" (254mm)	7" (180mm)

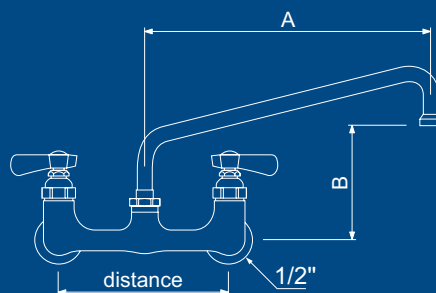


## wall-mounted bridge mixer tap



GEV No.	distance	A	B
<b>545050</b>	7" (180mm)	6" (152mm)	6" (152mm)
<b>545051</b>	7" (180mm)	8" (203mm)	6 1/2" (165mm)
<b>545052</b>	7" (180mm)	10" (254mm)	7" (180mm)
<b>545053</b>	7" (180mm)	12" (300mm)	7 7/10" (195mm)
<b>545050</b>	7" (180mm)	14" (350mm)	8 3/10" (210mm)
<b>545055</b>	7" (180mm)	16" (400mm)	8 7/10" (215mm)
<b>545056</b>	7" (180mm)	18" (450mm)	9 1/4" (235mm)

GEV No.	distance	A	B
<b>549863</b>	8" (203mm)	6" (152mm)	6" (152mm)
<b>549864</b>	8" (203mm)	8" (203mm)	6 1/2" (165mm)
<b>549865</b>	8" (203mm)	10" (254mm)	7" (180mm)
<b>549866</b>	8" (203mm)	12" (300mm)	7 7/10" (195mm)
<b>549867</b>	8" (203mm)	14" (350mm)	8 3/10" (210mm)
<b>549868</b>	8" (203mm)	16" (400mm)	8 7/10" (215mm)
<b>549869</b>	8" (203mm)	18" (450mm)	9 1/4" (235mm)

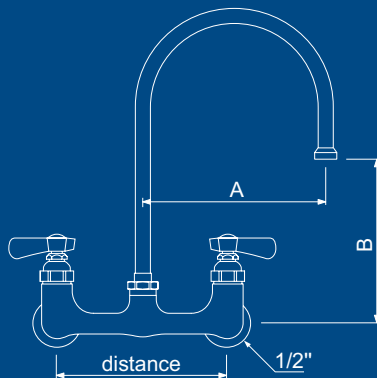


## wall-mounted bridge mixer tap



GEV No.	distance	A	B
<b>545923</b>	7" (180mm)	6" (152mm)	6" (152mm)
<b>545924</b>	7" (180mm)	8" (203mm)	6 1/2" (165mm)
<b>545925</b>	7" (180mm)	10" (254mm)	7" (180mm)

GEV No.	distance	A	B
<b>549870</b>	8" (203mm)	6" (152mm)	6" (152mm)
<b>549871</b>	8" (203mm)	8" (203mm)	6 1/2" (165mm)
<b>549872</b>	8" (203mm)	10" (254mm)	7" (180mm)



CLASSIC  
**AMERICAN**  
*style*



# Pre-rinse units CLASSIC AMERICAN Style

with pillar tap

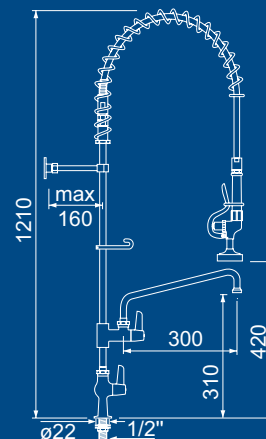
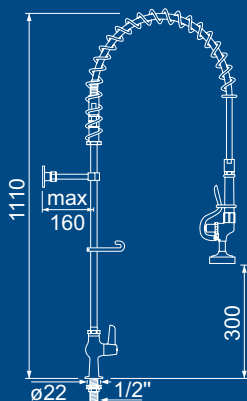


GEV No.	flow-rate spray gun	spray gun
<b>593301</b>	15,5l/min	A
<b>593303</b>	4,5l/min	B



flow rate swivel spout  
16l/min. at 4 bar

GEV No.	flow-rate spray gun	spray gun
<b>593302</b>	15,5l/min	A
<b>593304</b>	4,5l/min	B





# Pre-rinse units CLASSIC AMERICAN Style

with monobloc tap

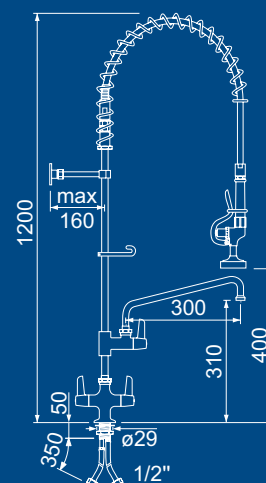
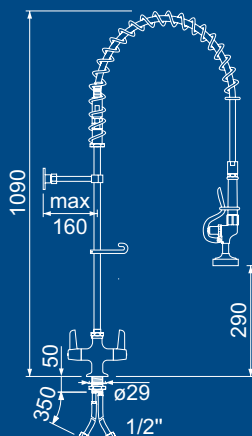


GEV No.	flow-rate spray gun	spray gun
<b>593321</b>	15,5l/min	<b>A</b>
<b>593323</b>	4,5l/min	<b>B</b>



flow rate swivel spout  
20l/min. at 4 bar

GEV No.	flow-rate spray gun	spray gun
<b>593322</b>	15,5l/min	<b>A</b>
<b>593324</b>	4,5l/min	<b>B</b>



# Pre-rinse units CLASSIC AMERICAN Style

with bridge mixer tap

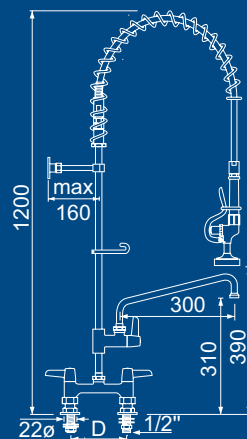
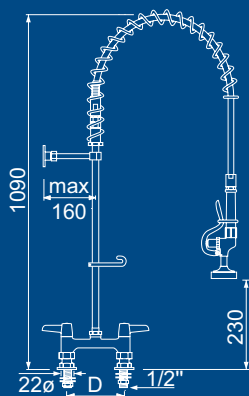


GEV No.	distance	flow-rate spray gun	spray gun
593331	4"	15,5l/min	A
593341	6"	15,5l/min	A
593351	7"	15,5l/min	A
593361	8"	15,5l/min	A
593333	4"	4,5l/min	B
593343	6"	4,5l/min	B
593353	7"	4,5l/min	B
593363	8"	4,5l/min	B



flow rate swivel spout  
20l/min. at 4 bar

GEV No.	distance	flow-rate spray gun	spray gun
593332	4"	15,5l/min	A
593342	6"	15,5l/min	A
593352	7"	15,5l/min	A
593362	8"	15,5l/min	A
593334	4"	4,5l/min	B
593344	6"	4,5l/min	B
593354	7"	4,5l/min	B
593364	8"	4,5l/min	B



## wall-mounted with bridge mixer tap

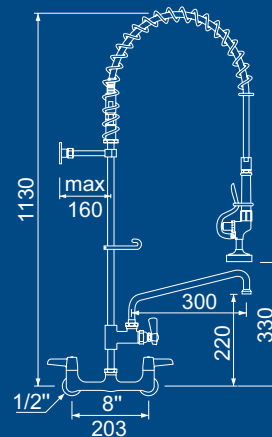
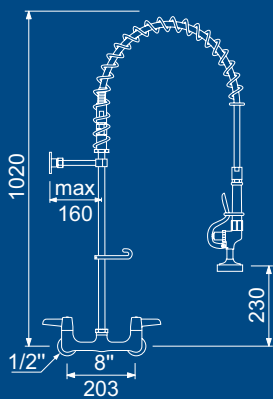


GEV No.	flow-rate spray gun	spray gun
<b>593371</b>	15,5l/min	A
<b>593373</b>	4,5l/min	B



flow rate swivel spout  
20l/min. at 4 bar

GEV No.	flow-rate spray gun	spray gun
<b>593372</b>	15,5l/min	A
<b>593374</b>	4,5l/min	B



# Pre-rinse units CLASSIC AMERICAN Style

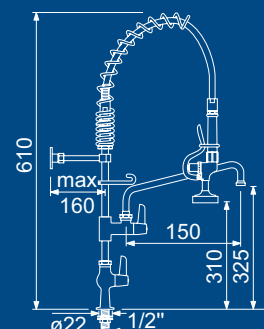
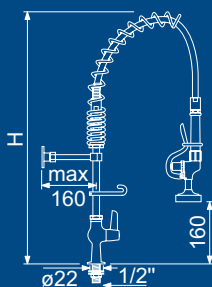
## short type with pillar tap



flow rate swivel spout  
16l/min. at 4 bar

GEV No.	H / height	flow-rate spray gun	spray gun
545964	20" (515mm)	15,5l/min	A
545965	24" (610mm)	15,5l/min	A
545967	20" (515mm)	4,5l/min	B
545968	24" (610mm)	4,5l/min	B

GEV No.	H / height	flow-rate spray gun	spray gun
545966	24" (610mm)	15,5l/min	A
545969	24" (610mm)	4,5l/min	B



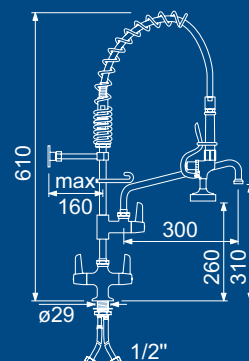
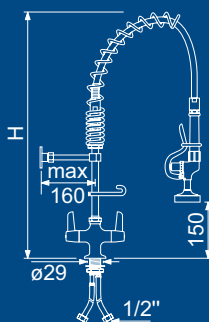
## short type with monobloc tap



flow rate swivel spout  
20l/min. at 4 bar

GEV No.	H / height	flow-rate spray gun	spray gun
545970	20" (515mm)	15,5l/min	A
545971	24" (610mm)	15,5l/min	A
545973	20" (515mm)	4,5l/min	B
545974	24" (610mm)	4,5l/min	B

GEV No.	H / height	flow-rate spray gun	spray gun
545972	24" (610mm)	15,5l/min	A
545975	24" (610mm)	4,5l/min	B

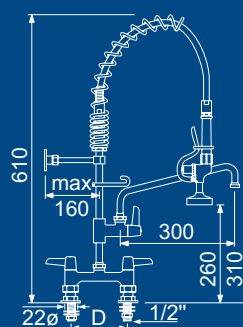
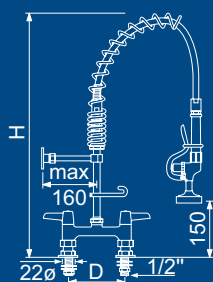


## short type with bridge mixer tap



GEV No.	distance	H / height	flow-rate spray gun	spray gun
545976	6"	20" (515mm)	15,5l/min	A
545982	7"	20" (515mm)	15,5l/min	A
545979	6"	20" (515mm)	4,5l/min	B
545985	7"	20" (515mm)	4,5l/min	B
545977	6"	24" (610mm)	15,5l/min	A
545983	7"	24" (610mm)	15,5l/min	A
545980	6"	24" (610mm)	4,5l/min	B
545986	7"	24" (610mm)	4,5l/min	B

GEV No.	distance	H / height	flow-rate spray gun	spray gun
545978	6"	24" (610mm)	15,5l/min	A
545984	7"	24" (610mm)	15,5l/min	A
545981	6"	24" (610mm)	4,5l/min	B
545987	7"	24" (610mm)	4,5l/min	B



## Hangman type with pillar tap

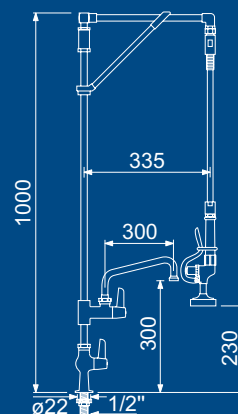
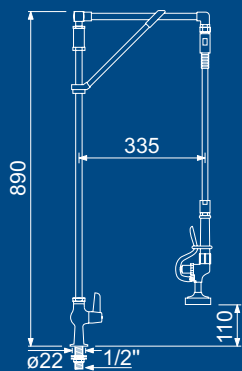


GEV No.	flow-rate spray gun	spray gun
<b>593305</b>	15,5l/min	A
<b>593307</b>	4,5l/min	B



flow rate swivel spout  
16l/min. at 4 bar

GEV No.	flow-rate spray gun	spray gun
<b>593306</b>	15,5l/min	A
<b>593308</b>	4,5l/min	B





## Hangman type with pillar tap

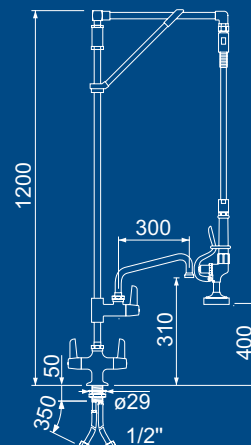
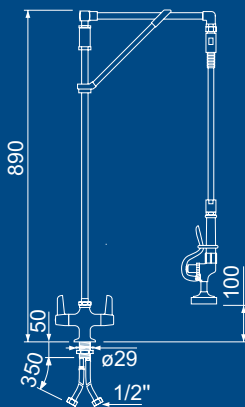


GEV No.	flow-rate spray gun	spray gun
<b>593325</b>	15,5l/min	<b>A</b>
<b>593327</b>	4,5l/min	<b>B</b>



flow rate swivel spout  
20l/min. at 4 bar

GEV No.	flow-rate spray gun	spray gun
<b>593326</b>	15,5l/min	<b>A</b>
<b>593328</b>	4,5l/min	<b>B</b>



## Hangman type with bridge mixer tap

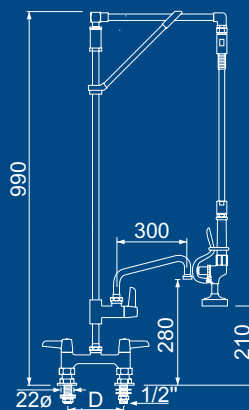
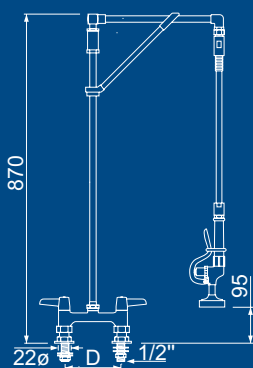


GEV No.	distance	flow-rate spray gun	spray gun
593335	4"	15,5l/min	A
593345	6"	15,5l/min	A
593355	7"	15,5l/min	A
593365	8"	15,5l/min	A
593337	4"	4,5l/min	B
593347	6"	4,5l/min	B
593357	7"	4,5l/min	B
593367	8"	4,5l/min	B



flow rate swivel spout  
20l/min. at 4 bar

GEV No.	distance	flow-rate spray gun	spray gun
593336	4"	15,5l/min	A
593346	6"	15,5l/min	A
593356	7"	15,5l/min	A
593366	8"	15,5l/min	A
593338	4"	4,5l/min	B
593348	6"	4,5l/min	B
593358	7"	4,5l/min	B
593368	8"	4,5l/min	B



# Pre-rinse units CLASSIC AMERICAN Style

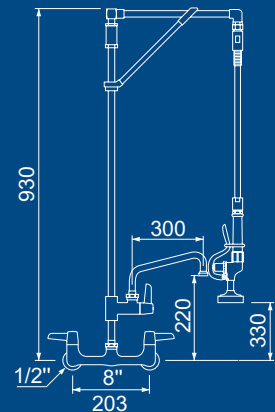
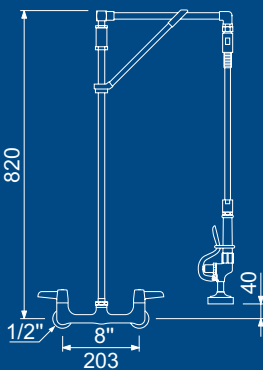
## wall-mounted with bridge mixer tap



flow rate swivel spout  
20l/min. at 4 bar

GEV No.	distance	flow-rate spray gun	spray gun
<b>593375</b>	8"	15,5l/min	<b>A</b>
<b>593377</b>	8"	4,5l/min	<b>B</b>

GEV No.	distance	flow-rate spray gun	spray gun
<b>593376</b>	8"	15,5l/min	<b>A</b>
<b>593378</b>	8"	4,5l/min	<b>B</b>



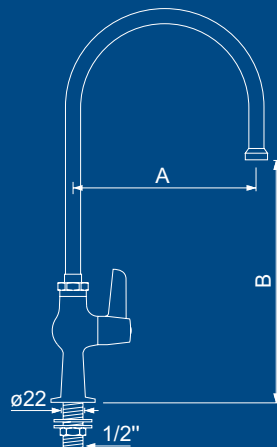
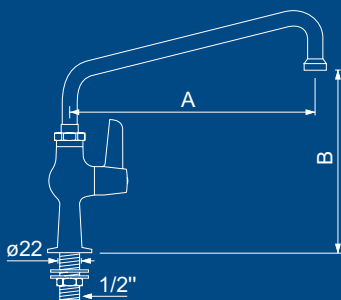
## pillar tap



GEV No.	A	B
<b>593101</b>	6" (152mm)	6" (152mm)
<b>593102</b>	8" (203mm)	6 1/2" (165mm)
<b>593103</b>	10" (254mm)	7" (180mm)
<b>593104</b>	12" (300mm)	7 7/10" (195mm)
<b>593105</b>	14" (350mm)	8 3/10" (210mm)
<b>593106</b>	16" (400mm)	8 7/10" (215mm)
<b>593107</b>	18" (450mm)	9 1/4" (235mm)



GEV No.	A	B
<b>593108</b>	6" (152mm)	6" (152mm)
<b>593109</b>	8" (203mm)	6 1/2" (165mm)
<b>593110</b>	10" (254mm)	7" (180mm)



# Water taps CLASSIC AMERICAN Style

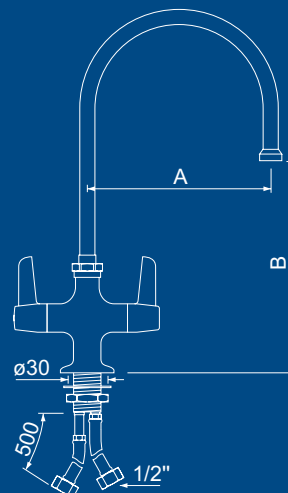
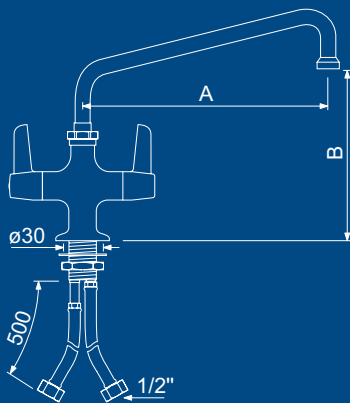
## monobloc tap



GEV No.	A	B
<b>593120</b>	6" (152mm)	6" (152mm)
<b>593121</b>	8" (203mm)	6 1/2" (165mm)
<b>593122</b>	10" (254mm)	7" (180mm)
<b>593123</b>	12" (300mm)	7 7/10" (195mm)
<b>593124</b>	14" (350mm)	8 3/10" (210mm)
<b>593125</b>	16" (400mm)	8 7/10" (215mm)
<b>593126</b>	18" (450mm)	9 1/4" (235mm)



GEV No.	A	B
<b>593127</b>	6" (152mm)	6" (152mm)
<b>593128</b>	8" (203mm)	6 1/2" (165mm)
<b>593129</b>	10" (254mm)	7" (180mm)



## bridge mixer tap



distance 4" (102mm)

GEV No.	A	B
<b>593130</b>	6" (152mm)	6" (152mm)
<b>593131</b>	8" (203mm)	6 1/2" (165mm)
<b>593132</b>	10" (254mm)	7" (180mm)
<b>593133</b>	12" (300mm)	7 7/10" (195mm)
<b>593134</b>	14" (350mm)	8 3/10" (210mm)
<b>593135</b>	16" (400mm)	8 7/10" (215mm)
<b>593136</b>	18" (450mm)	9 1/4" (235mm)

distance 6" (152mm)

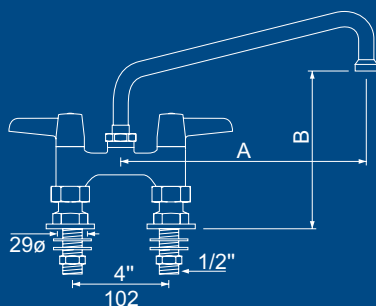
GEV No.	A	B
<b>593140</b>	6" (152mm)	6" (152mm)
<b>593141</b>	8" (203mm)	6 1/2" (165mm)
<b>593142</b>	10" (254mm)	7" (180mm)
<b>593143</b>	12" (300mm)	7 7/10" (195mm)
<b>593144</b>	14" (350mm)	8 3/10" (210mm)
<b>593145</b>	16" (400mm)	8 7/10" (215mm)
<b>593146</b>	18" (450mm)	9 1/4" (235mm)

distance 7" (180mm)

GEV No.	A	B
<b>593150</b>	6" (152mm)	6" (152mm)
<b>593151</b>	8" (203mm)	6 1/2" (165mm)
<b>593152</b>	10" (254mm)	7" (180mm)
<b>593153</b>	12" (300mm)	7 7/10" (195mm)
<b>593154</b>	14" (350mm)	8 3/10" (210mm)
<b>593155</b>	16" (400mm)	8 7/10" (215mm)
<b>593156</b>	18" (450mm)	9 1/4" (235mm)

distance 8" (203mm)

GEV No.	A	B
<b>593160</b>	6" (152mm)	6" (152mm)
<b>593161</b>	8" (203mm)	6 1/2" (165mm)
<b>593162</b>	10" (254mm)	7" (180mm)
<b>593163</b>	12" (300mm)	7 7/10" (195mm)
<b>593164</b>	14" (350mm)	8 3/10" (210mm)
<b>593165</b>	16" (400mm)	8 7/10" (215mm)
<b>593166</b>	18" (450mm)	9 1/4" (235mm)



## bridge mixer tap



distance 4" (102mm)

GEV No.	A	B
<b>593137</b>	6" (152mm)	6" (152mm)
<b>593138</b>	8" (203mm)	6 1/2" (165mm)
<b>593139</b>	10" (254mm)	7" (180mm)

distance 6" (152mm)

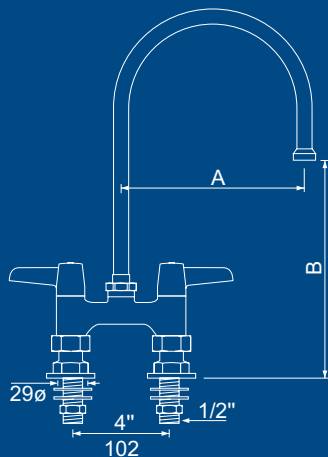
GEV No.	A	B
<b>593147</b>	6" (152mm)	6" (152mm)
<b>593148</b>	8" (203mm)	6 1/2" (165mm)
<b>593149</b>	10" (254mm)	7" (180mm)

distance 7" (180mm)

GEV No.	A	B
<b>593157</b>	6" (152mm)	6" (152mm)
<b>593158</b>	8" (203mm)	6 1/2" (165mm)
<b>593159</b>	10" (254mm)	7" (180mm)

distance 8" (203mm)

GEV No.	A	B
<b>593167</b>	6" (152mm)	6" (152mm)
<b>593168</b>	8" (203mm)	6 1/2" (165mm)
<b>593169</b>	10" (254mm)	7" (180mm)



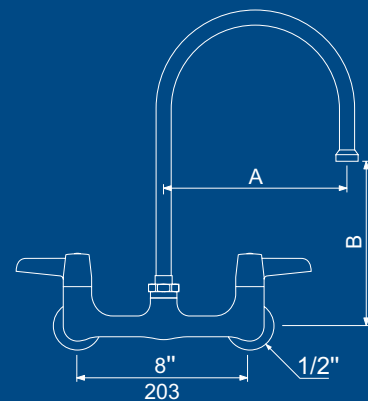
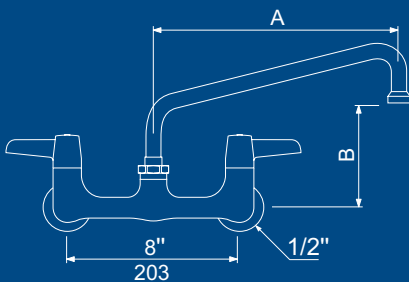
## wall-mounted bridge mixer tap



GEV No.	A	B
<b>593170</b>	6" (152mm)	6" (152mm)
<b>593171</b>	8" (203mm)	6 1/2" (165mm)
<b>593172</b>	10" (254mm)	7" (180mm)
<b>593173</b>	12" (300mm)	7 7/10" (195mm)
<b>593174</b>	14" (350mm)	8 3/10" (210mm)
<b>593175</b>	16" (400mm)	8 7/10" (215mm)
<b>593176</b>	18" (450mm)	9 1/4" (235mm)



GEV No.	A	B
<b>593177</b>	6" (152mm)	6" (152mm)
<b>593178</b>	8" (203mm)	6 1/2" (165mm)
<b>593179</b>	10" (254mm)	7" (180mm)





# Taps PREMIUM AMERICAN Style

## sink taps



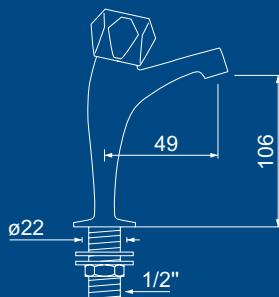
GEV No.	description
545955	½" (22mm) with 3-inch lever taps (pair)



GEV No.	description
545956	½" (22mm) club head (pair)



GEV No.	description
545957	½" (22mm) cross head, pair



## basin taps



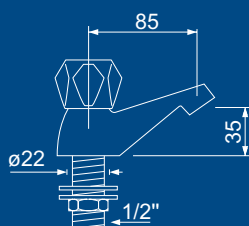
GEV No.	description
545958	1/2" with 3-inch lever taps (pair)



GEV No.	description
545959	1/2" dome club head (pair)



GEV No.	description
545960	1/2" cross head (pair)



## bridge mixer taps



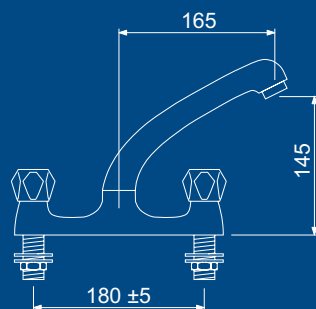
GEV No.	description
545961	with lever taps (1/2" ceramic tap heads)



GEV No.	description
545962	1/2" ceramic tap heads



GEV No.	description
545963	1/2" ceramic tap heads



spray guns



*water saving*

flow rate swivel spout  
20l/min. at 4 bar

3/4"-16UNF Qmax. at  
2,5l/min at ca. 4bar  
(0,65gpm at 60psi)  
**GEV No.**  
**545131**



*water saving*

3/4"-16UNF Qmax.  
at 4,5l/min at ca.4bar  
(1,24gpm at 60psi)  
**GEV No.**  
**545133**



*water saving*

3/4"-16UNF Qmax. at  
4,5l/min at ca. 4bar  
(1,24gpm at 60psi)  
**GEV No.**  
**545132**

# Spare parts



with handle 3/4"-16UNF  
Qmax. at 12l/min  
at ca.4bar

**GEV No.**

**549333**



3/4"-16UNF,  
angled  
Qmax. at 12l/min  
at ca.4bar

**GEV No.**

**545134**



swivel tap  $\varnothing$  5/8" (16mm)

GEV No.	A	B
<b>547307</b>	12" (300mm)	8" (200mm)
<b>547312</b>	6" (152mm)	6" (160mm)





**GEV Großküchen-Ersatzteil-Vertrieb GmbH**

Gadastr. 4  
85232 Bergkirchen  
Germany

[www.gev-online.com](http://www.gev-online.com)

Tel.: +49 (0)8142 6522-50

Fax: +49 (0)8142 6522-629

[info@gev-online.com](mailto:info@gev-online.com)



**GEV Catering Spares Ltd**

Premier House  
Harlaxton Road  
Grantham, NG31 7JX  
United Kingdom

[www.gev-online.co.uk](http://www.gev-online.co.uk)

Tel.: +44 (0)1476 583922

Fax: +44 (0)1476 514640

[info@gev-online.co.uk](mailto:info@gev-online.co.uk)



P021101401

We accept no liability for the accuracy of technical descriptions and illustrations in our catalogue and we reserve the right for any printing errors.